

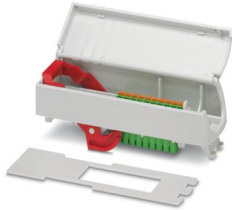
ME PLC 40 CT20 GY7035 - Front connection module



2201493

<https://www.phoenixcontact.com/us/products/2201493>

Please be informed that the data shown in this PDF document is generated from our online catalog. Please find the complete data in the user documentation. Our general terms of use for downloads are valid.



Connection technology carrier, fully assembled with FKCN 2x 10-pos., cover and release lever, incl. fitted cover, corresponding header: 1x CCDN 2,5/10-G1 P26 THR (1734355)

Your advantages

- Tool-free mounting
- Available in 40 mm overall width
- Flammability rating V0 in accordance with UL 94
- Variety of connection technology
- Can be mounted on the DIN rail
- With DIN-rail-mountable bus connector and power connector system as an option

Commercial data

| | |
|--------------------------------------|---------------|
| Item number | 2201493 |
| Packing unit | 10 pc |
| Minimum order quantity | 10 pc |
| Sales key | AC15 |
| Product key | ACHEAB |
| GTIN | 4046356838610 |
| Weight per piece (including packing) | 100.48 g |
| Weight per piece (excluding packing) | 93.6 g |
| Customs tariff number | 85366990 |
| Country of origin | DE |

2201493

<https://www.phoenixcontact.com/us/products/2201493>

Technical data

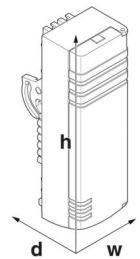
Notes

| | |
|---------------|---|
| Assembly note | Please observe the application note in the download area. |
|---------------|---|

Product properties

| | |
|------------------------------|--------------------|
| Product type | Upper housing part |
| Housing type | DIN rail housing |
| Housing series | ME PLC |
| Product family | ME PLC 40 |
| Max. number of positions | 20 (pitch: 5 mm) |
| Ventilation openings present | no |

Dimensions

| | |
|---------------------|--|
| Dimensional drawing |  |
| Width | 39.7 mm |
| Height | 128 mm |
| Depth | 48.3 mm |

Material specifications

| | |
|--|-----------------------|
| Color (Housing) | light gray (RAL 7035) |
| Material | PC |
| Flammability rating according to UL 94 | V0 |
| CTI according to IEC 60112 | 225 |

Environmental and real-life conditions

Ambient conditions

| | |
|---|--|
| Max. IP code to attain | IP20 |
| Ambient temperature (operation) | -40 °C ... 105 °C (depending on power dissipation) |
| Ambient temperature (storage/transport) | -40 °C ... 70 °C |
| Ambient temperature (assembly) | -5 °C ... 100 °C |
| Relative humidity (storage/transport) | 95 % |

Mounting

| | |
|---------------|----------------------------------|
| Mounting type | Latching with lower housing part |
|---------------|----------------------------------|

ME PLC 40 CT20 GY7035 - Front connection module



2201493

<https://www.phoenixcontact.com/us/products/2201493>

Packaging specifications

| | |
|----------------------|---------------------|
| Type of packaging | packed in cardboard |
| Outer packaging type | Carton |

ME PLC 40 CT20 GY7035 - Front connection module

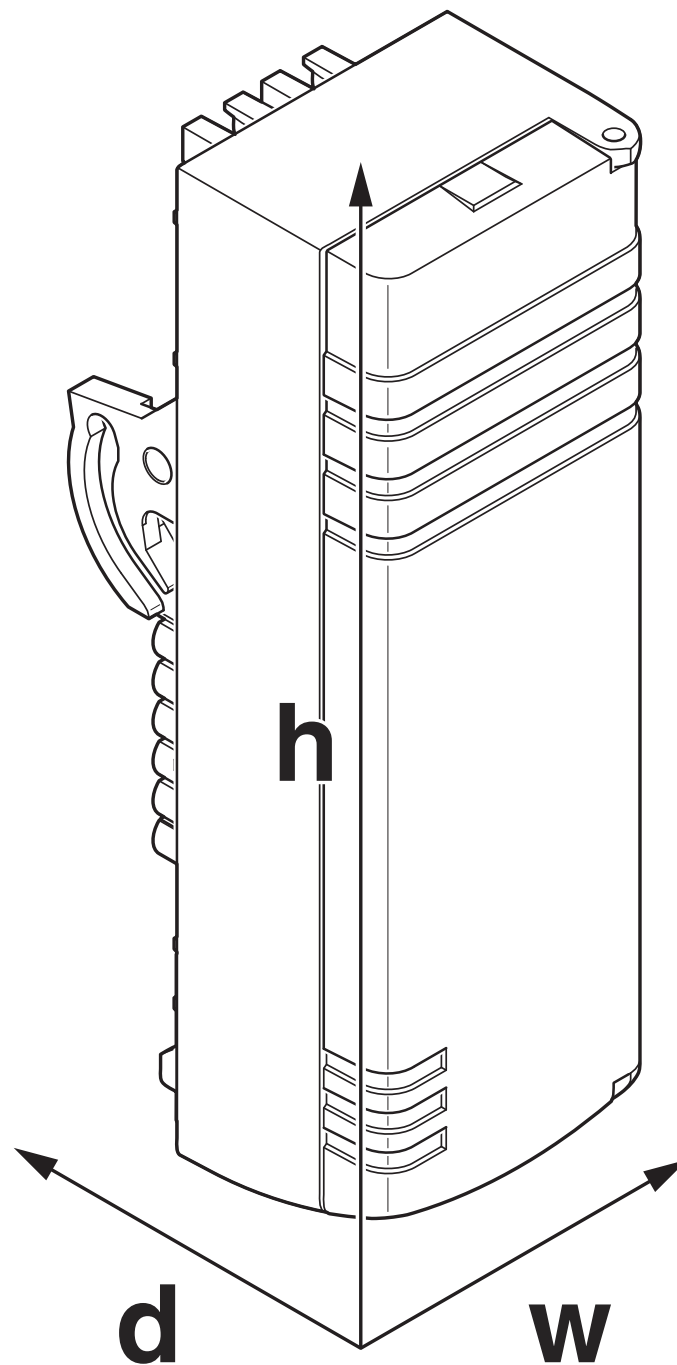


2201493

<https://www.phoenixcontact.com/us/products/2201493>

Drawings

Dimensional drawing



ME PLC 40 CT20 GY7035 - Front connection module



2201493

<https://www.phoenixcontact.com/us/products/2201493>

Classifications

ECLASS

| | |
|-------------|----------|
| ECLASS-13.0 | 27190401 |
| ECLASS-15.0 | 27190401 |

ETIM

| | |
|-----------|----------|
| ETIM 10.0 | EC001031 |
|-----------|----------|

UNSPSC

| | |
|-------------|----------|
| UNSPSC 21.0 | 31261500 |
|-------------|----------|

ME PLC 40 CT20 GY7035 - Front connection module



2201493

<https://www.phoenixcontact.com/us/products/2201493>

Environmental product compliance

EU RoHS

| | |
|---|--------------------|
| Fulfills EU RoHS substance requirements | Yes, No exemptions |
|---|--------------------|

China RoHS

| | |
|--|--|
| Environment friendly use period (EFUP) | EFUP-E |
| | No hazardous substances above the limits |

EU REACH SVHC

| | |
|-------------------------------------|----------------------------|
| REACH candidate substance (CAS No.) | No substance above 0.1 wt% |
|-------------------------------------|----------------------------|

Phoenix Contact 2026 © - all rights reserved
<https://www.phoenixcontact.com>

Phoenix Contact USA
586 Fulling Mill Road
Middletown, PA 17057, United States
(+717) 944-1300
info@phoenixcon.com