

# ME MAX 22,5 GEH-R 2-2 KMGY - Housing half shell



2201221

<https://www.phoenixcontact.com/us/products/2201221>

Please be informed that the data shown in this PDF document is generated from our online catalog. Please find the complete data in the user documentation. Our general terms of use for downloads are valid.



DIN rail housing, Housing half shell (right), tall design, with vents, width: 16.3 mm, height: 99 mm, depth: 112.85 mm, color: light gray (similar RAL 7035), cross connection: DIN rail bus connector (optional)

## Your advantages

- Easy installation
- Variety of connection technology

## Commercial data

Item number	2201221
Packing unit	50 pc
Minimum order quantity	100 pc
Note	Made to order (non-returnable)
Product key	ACHABZ
GTIN	4046356747936
Weight per piece (including packing)	26.478 g
Weight per piece (excluding packing)	22.992 g
Country of origin	DE

# ME MAX 22,5 GEH-R 2-2 KMGY - Housing half shell



2201221

<https://www.phoenixcontact.com/us/products/2201221>

## Technical data

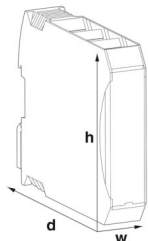
### Notes

Assembly note	Please observe the application note in the download area.
Recommendation	Material of contact pads for bus connector, galvanic gold (hard gold)
Recommendation	Further information and detailed dimensions are available in the download area.

### Product properties

Product type	Housing half shells
Housing type	DIN rail housing
Housing type	Modular housings
Housing series	ME-MAX
Product family	ME MAX 22,5..
Number of rows	2
Number (Connection openings)	4
Ventilation openings present	yes
Anzahl der Etagen Housing (Makro)	2 (Both sides)

### Dimensions

Dimensional drawing	
Width	16.3 mm
Height	99 mm
Depth	112.85 mm
Depth from top edge of DIN rail	107 mm

### PCB design

PCB thickness	1.4 mm ... 1.8 mm
---------------	-------------------

### Material specifications

Color (Housing half-shell)	light gray (RAL 7035)
Material Housing half-shell	PA
Flammability rating according to UL 94	V0
CTI according to IEC 60112	600

### Environmental and real-life conditions

# ME MAX 22,5 GEH-R 2-2 KMGY - Housing half shell



2201221

<https://www.phoenixcontact.com/us/products/2201221>

## Ambient conditions

Max. IP code to attain	IP20
Ambient temperature (operation)	-40 °C ... 105 °C (depending on power dissipation)
Ambient temperature (storage/transport)	-40 °C ... 55 °C
Ambient temperature (assembly)	-5 °C ... 100 °C
Relative humidity (storage/transport)	80 %

## PCB data

Type of PCB mount	Latching
Thickness of the PCB	1.4 mm ... 1.8 mm

## Mounting

Mounting type	Latching with housing half-shell or intermediate element
---------------	--

# ME MAX 22,5 GEH-R 2-2 KMGY - Housing half shell

2201221

<https://www.phoenixcontact.com/us/products/2201221>

## Drawings

Dimensional drawing



Schematic figure for illustrating the item dimensions. The figure is not of the desired product. For further details, refer to the product drawings in the "Downloads" tab.

# ME MAX 22,5 GEH-R 2-2 KMGY - Housing half shell



2201221

<https://www.phoenixcontact.com/us/products/2201221>

## Approvals

To download certificates, visit the product detail page: <https://www.phoenixcontact.com/us/products/2201221>



**UL Recognized**

Approval ID: E240868

# ME MAX 22,5 GEH-R 2-2 KMGY - Housing half shell



2201221

<https://www.phoenixcontact.com/us/products/2201221>

## Classifications

### ECLASS

ECLASS-13.0	27190602
ECLASS-15.0	27190602

### ETIM

ETIM 10.0	EC002779
-----------	----------

### UNSPSC

UNSPSC 21.0	31261500
-------------	----------

# ME MAX 22,5 GEH-R 2-2 KMGY - Housing half shell



2201221

<https://www.phoenixcontact.com/us/products/2201221>

## Environmental product compliance

### EU RoHS

Fulfills EU RoHS substance requirements	Yes, No exemptions
---	--------------------

### China RoHS

Environment friendly use period (EFUP)	EFUP-E
	No hazardous substances above the limits

### EU REACH SVHC

REACH candidate substance (CAS No.)	No substance above 0.1 wt%
-------------------------------------	----------------------------

### EF3.1 Climate Change

CO2e kg	0.153 kg CO2e
---------	---------------

Phoenix Contact 2026 © - all rights reserved  
<https://www.phoenixcontact.com>

Phoenix Contact USA  
586 Fulling Mill Road  
Middletown, PA 17057, United States  
(+717) 944-1300  
[info@phoenixcon.com](mailto:info@phoenixcon.com)