

# UM-ALU 4 AU75 L95 - Profile cover



2200965

<https://www.phoenixcontact.com/us/products/2200965>

Please be informed that the data shown in this PDF document is generated from our online catalog. Please find the complete data in the user documentation. Our general terms of use for downloads are valid.



Press-drawn section housings, Screw mounting, Profile cover, width: 75.6 mm, profile width (internal): 71.5 mm, profile width (external): 75.6 mm, length: 95 mm, depth: 43.1 mm

## Your advantages

- Aluminum extruded profile
- Variety of connection technology
- Can be mounted on the DIN rail
- Available in lengths from 42.5 mm ... 990 mm, can be cut to any length
- Available in overall widths of 75 mm and 105 mm
- EMC protection

## Commercial data

Item number	2200965
Packing unit	1 pc
Minimum order quantity	1 pc
Sales key	AC14
Product key	ACHDFC
GTIN	4046356721073
Weight per piece (including packing)	86.2 g
Weight per piece (excluding packing)	81.5 g
Customs tariff number	76042990
Country of origin	DE

# UM-ALU 4 AU75 L95 - Profile cover

2200965

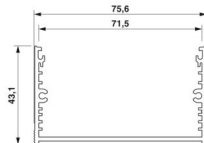
<https://www.phoenixcontact.com/us/products/2200965>

## Technical data

### Product properties

Product type	Component housing cover
Housing type	Press-drawn section housings
Housing series	UM-ALU
Product family	UM-ALU
Ventilation openings present	no

### Dimensions

Dimensional drawing	
Width	75.6 mm
Depth	43.1 mm
Length	95 mm

### External dimensions

Profile width (external)	75.6 mm
--------------------------	---------

### Internal dimensions

Profile width (internal)	71.5 mm
--------------------------	---------

### PCB design

PCB thickness	1.44 mm ... 2 mm
---------------	------------------

### Material specifications

Color (Housing)	aluminum color
Material Housing	Anodized aluminum (anodized)
Surface characteristics	anodized

### Environmental and real-life conditions

#### Ambient conditions

Max. IP code to attain	IP40
Ambient temperature (operation)	-40 °C ... 100 °C (depending on power dissipation)
Ambient temperature (storage/transport)	-40 °C ... 55 °C
Ambient temperature (assembly)	-5 °C ... 100 °C

### PCB data

Number of PCB holders	5
Type of PCB mount	Slot
PCB surface	6010 mm <sup>2</sup> ... 6446 mm <sup>2</sup> (TOP in conjunction with side elements COVERLID...AL or 4LID...PA)

# UM-ALU 4 AU75 L95 - Profile cover



2200965

<https://www.phoenixcontact.com/us/products/2200965>

	6010 mm <sup>2</sup> ... 6446 mm <sup>2</sup> (BOTTOM in conjunction with side elements COVERLID...AL or 4LID...PA)
Thickness of the PCB	1.44 mm ... 2 mm

## Mounting

Mounting type	Screw mounting
Mounting position	parallel to the DIN rail

## Packaging specifications

Type of packaging	packed in cardboard
Outer packaging type	Carton

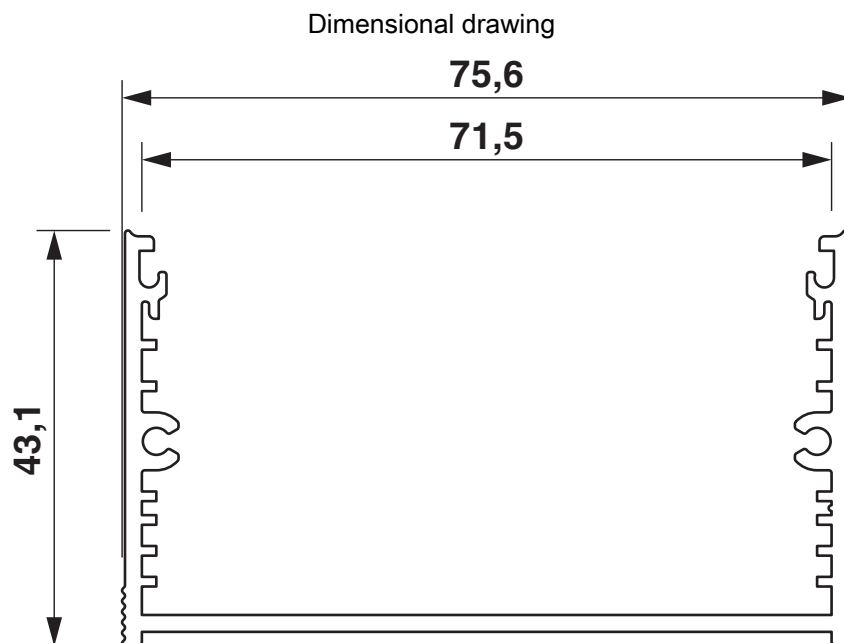
# UM-ALU 4 AU75 L95 - Profile cover



2200965

<https://www.phoenixcontact.com/us/products/2200965>

## Drawings



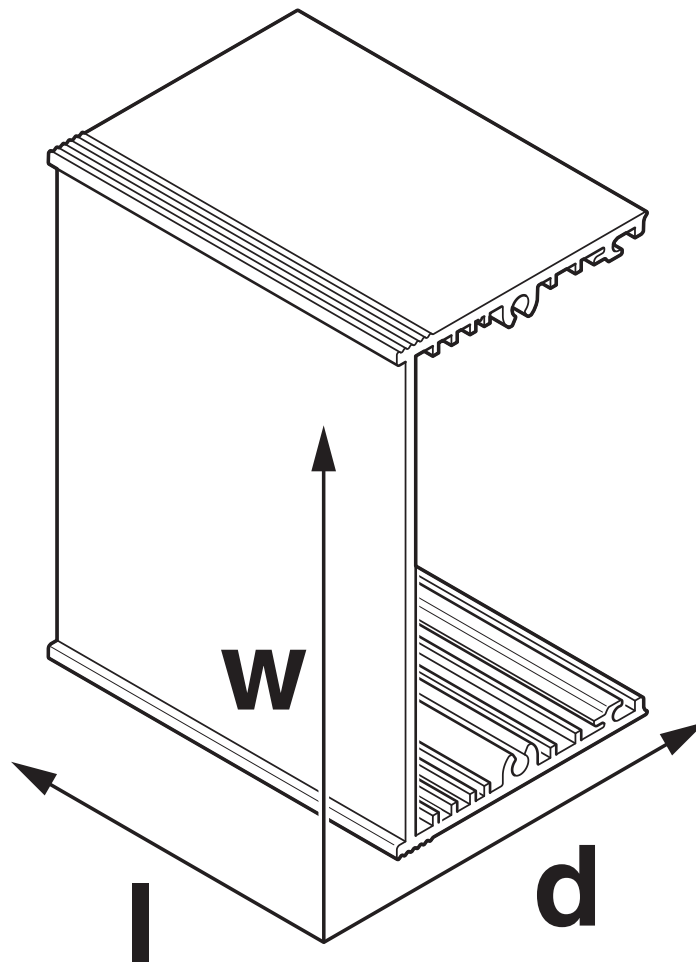
# UM-ALU 4 AU75 L95 - Profile cover

2200965

<https://www.phoenixcontact.com/us/products/2200965>



Schematic diagram



# UM-ALU 4 AU75 L95 - Profile cover



2200965

<https://www.phoenixcontact.com/us/products/2200965>

## Classifications

### ECLASS

ECLASS-13.0	27190603
ECLASS-15.0	27190603

### ETIM

ETIM 10.0	EC002779
-----------	----------

### UNSPSC

UNSPSC 21.0	31261500
-------------	----------

# UM-ALU 4 AU75 L95 - Profile cover



2200965

<https://www.phoenixcontact.com/us/products/2200965>

## Environmental product compliance

### EU RoHS

Fulfills EU RoHS substance requirements	Yes, No exemptions
-----------------------------------------	--------------------

### China RoHS

Environment friendly use period (EFUP)	EFUP-E
	No hazardous substances above the limits

### EU REACH SVHC

REACH candidate substance (CAS No.)	No substance above 0.1 wt%
-------------------------------------	----------------------------

Phoenix Contact 2026 © - all rights reserved  
<https://www.phoenixcontact.com>

Phoenix Contact USA  
586 Fulling Mill Road  
Middletown, PA 17057, United States  
(+717) 944-1300  
[info@phoenixcon.com](mailto:info@phoenixcon.com)