

UM-ALU 4-100,5 PROFILE 235 - Profile



2200941

<https://www.phoenixcontact.com/us/products/2200941>

Please be informed that the data shown in this PDF document is generated from our online catalog. Please find the complete data in the user documentation. Our general terms of use for downloads are valid.

Press-drawn section housings, Screw mounting, Basic profile, profile width (internal): 100.5 mm, profile width (external): 105 mm, length: 235 mm, depth: 29.4 mm



Your advantages

- Aluminum extruded profile
- Variety of connection technology
- Can be mounted on the DIN rail
- Available in lengths from 42.5 mm ... 990 mm, can be cut to any length
- Available in overall widths of 75 mm and 105 mm
- EMC protection

Commercial data

| | |
|--------------------------------------|---------------|
| Item number | 2200941 |
| Packing unit | 1 pc |
| Minimum order quantity | 1 pc |
| Sales key | AC14 |
| Product key | ACHDFA |
| GTIN | 4046356716406 |
| Weight per piece (including packing) | 285.6 g |
| Weight per piece (excluding packing) | 281.1 g |
| Customs tariff number | 76042990 |
| Country of origin | DE |

UM-ALU 4-100,5 PROFILE 235 - Profile

2200941

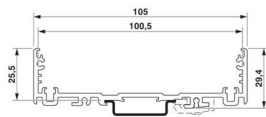
<https://www.phoenixcontact.com/us/products/2200941>

Technical data

Product properties

| | |
|------------------------------|------------------------------|
| Product type | Component housing lower part |
| Housing type | Press-drawn section housings |
| Housing type | Extruded profile housings |
| Housing series | UM-ALU |
| Product family | UM-ALU 4-100,5 |
| Ventilation openings present | no |

Dimensions

| | |
|---------------------------------|--|
| Dimensional drawing |  |
| Depth | 29.4 mm |
| Depth from top edge of DIN rail | 25.5 mm |
| Length | 235 mm |

External dimensions

| | |
|--------------------------|--------|
| Profile width (external) | 105 mm |
|--------------------------|--------|

Internal dimensions

| | |
|--------------------------|----------|
| Profile width (internal) | 100.5 mm |
|--------------------------|----------|

PCB design

| | |
|---------------|------------------|
| PCB thickness | 1.44 mm ... 2 mm |
|---------------|------------------|

Material specifications

| | |
|-------------------------|---------------------|
| Color (Profile) | aluminum color |
| Material Profile | Aluminum (anodized) |
| Surface characteristics | anodized |

Environmental and real-life conditions

Ambient conditions

| | |
|---|--|
| Max. IP code to attain | IP40 |
| Ambient temperature (operation) | -40 °C ... 105 °C (depending on power dissipation) |
| Ambient temperature (storage/transport) | -40 °C ... 55 °C |
| Ambient temperature (assembly) | -5 °C ... 100 °C |

PCB data

| | |
|-----------------------|------|
| Number of PCB holders | 3 |
| Type of PCB mount | Slot |

UM-ALU 4-100,5 PROFILE 235 - Profile



2200941

<https://www.phoenixcontact.com/us/products/2200941>

| | |
|----------------------|---|
| PCB surface | 21634 mm ² ... 23162 mm ² (TOP in conjunction with side elements COVER...AL) |
| | 22526 mm ² ... 23136 mm ² (BOTTOM in conjunction with side elements COVER...AL) |
| | 21634 mm ² ... 23162 mm ² (TOP in conjunction with side elements COVER...PA) |
| | 22641 mm ² ... 23162 mm ² (BOTTOM in conjunction with side elements COVER...PA) |
| Thickness of the PCB | 1.44 mm ... 2 mm |

Mounting

| | |
|-------------------|--------------------------|
| Mounting type | Screw mounting |
| Mounting position | parallel to the DIN rail |

Packaging specifications

| | |
|----------------------|---------------------|
| Type of packaging | packed in cardboard |
| Outer packaging type | Carton |

UM-ALU 4-100,5 PROFILE 235 - Profile

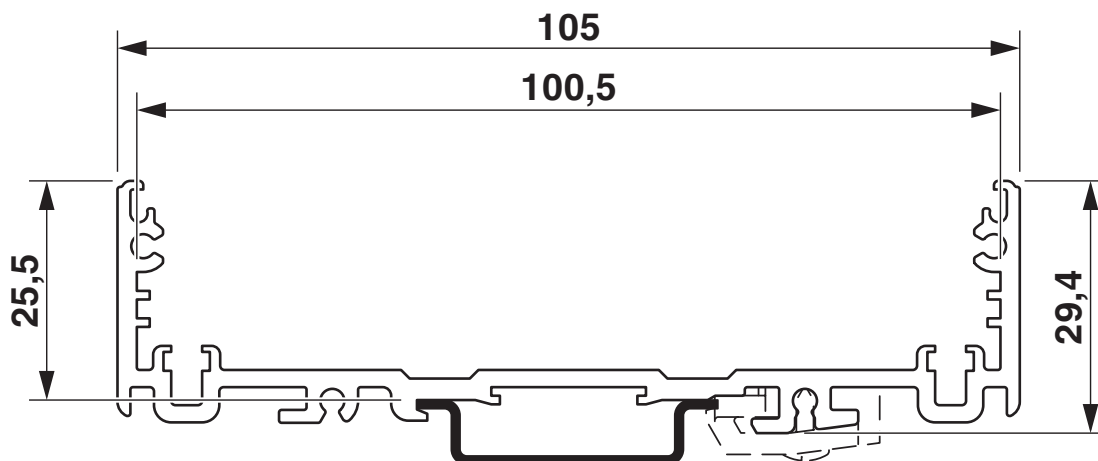


2200941

<https://www.phoenixcontact.com/us/products/2200941>

Drawings

Dimensional drawing



UM-ALU 4-100,5 PROFILE 235 - Profile

2200941

<https://www.phoenixcontact.com/us/products/2200941>



Dimensional drawing



UM-ALU 4-100,5 PROFILE 235 - Profile



2200941

<https://www.phoenixcontact.com/us/products/2200941>

Classifications

ECLASS

| | |
|-------------|----------|
| ECLASS-13.0 | 27190601 |
| ECLASS-15.0 | 27190601 |

ETIM

| | |
|-----------|----------|
| ETIM 10.0 | EC002779 |
|-----------|----------|

UNSPSC

| | |
|-------------|----------|
| UNSPSC 21.0 | 31261500 |
|-------------|----------|

UM-ALU 4-100,5 PROFILE 235 - Profile



2200941

<https://www.phoenixcontact.com/us/products/2200941>

Environmental product compliance

EU RoHS

| | |
|---|--------------------|
| Fulfills EU RoHS substance requirements | Yes, No exemptions |
|---|--------------------|

China RoHS

| | |
|--|--|
| Environment friendly use period (EFUP) | EFUP-E |
| | No hazardous substances above the limits |

EU REACH SVHC

| | |
|-------------------------------------|----------------------------|
| REACH candidate substance (CAS No.) | No substance above 0.1 wt% |
|-------------------------------------|----------------------------|

Phoenix Contact 2026 © - all rights reserved
<https://www.phoenixcontact.com>

Phoenix Contact USA
586 Fulling Mill Road
Middletown, PA 17057, United States
(+717) 944-1300
info@phoenixcon.com