

UM-ALU 4-100,5 PROFILE 165 - Profile



2200939

<https://www.phoenixcontact.com/us/products/2200939>

Please be informed that the data shown in this PDF document is generated from our online catalog. Please find the complete data in the user documentation. Our general terms of use for downloads are valid.

Press-drawn section housings, Screw mounting, Basic profile, profile width (internal): 100.5 mm, profile width (external): 105 mm, length: 165 mm, depth: 29.4 mm



Your advantages

- Aluminum extruded profile
- Variety of connection technology
- Can be mounted on the DIN rail
- Available in lengths from 42.5 mm ... 990 mm, can be cut to any length
- Available in overall widths of 75 mm and 105 mm
- EMC protection

Commercial data

Item number	2200939
Packing unit	1 pc
Minimum order quantity	1 pc
Sales key	AC14
Product key	ACHDFA
GTIN	4046356716437
Weight per piece (including packing)	202 g
Weight per piece (excluding packing)	190 g
Customs tariff number	76161000
Country of origin	DE

UM-ALU 4-100,5 PROFILE 165 - Profile

2200939

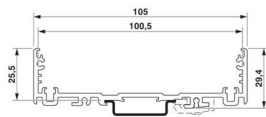
<https://www.phoenixcontact.com/us/products/2200939>

Technical data

Product properties

Product type	Component housing lower part
Housing type	Press-drawn section housings
Housing type	Extruded profile housings
Housing series	UM-ALU
Product family	UM-ALU 4-100,5
Ventilation openings present	no

Dimensions

Dimensional drawing	
Depth	29.4 mm
Depth from top edge of DIN rail	25.5 mm
Length	165 mm

External dimensions

Profile width (external)	105 mm
--------------------------	--------

Internal dimensions

Profile width (internal)	100.5 mm
--------------------------	----------

PCB design

PCB thickness	1.44 mm ... 2 mm
---------------	------------------

Material specifications

Color (Profile)	aluminum color
Material Profile	Aluminum (anodized)
Surface characteristics	anodized

Environmental and real-life conditions

Ambient conditions

Max. IP code to attain	IP40
Ambient temperature (operation)	-40 °C ... 105 °C (depending on power dissipation)
Ambient temperature (storage/transport)	-40 °C ... 55 °C
Ambient temperature (assembly)	-5 °C ... 100 °C

PCB data

Number of PCB holders	3
Type of PCB mount	Slot

UM-ALU 4-100,5 PROFILE 165 - Profile



2200939

<https://www.phoenixcontact.com/us/products/2200939>

PCB surface	15092 mm ² ... 16234 mm ² (TOP in conjunction with side elements COVER...AL)
	15806 mm ² ... 16234 mm ² (BOTTOM in conjunction with side elements COVER...AL)
	15092 mm ² ... 16404 mm ² (TOP in conjunction with side elements COVER...PA)
	15882 mm ² ... 16404 mm ² (BOTTOM in conjunction with side elements COVER...PA)
Thickness of the PCB	1.44 mm ... 2 mm

Mounting

Mounting type	Screw mounting
Mounting position	parallel to the DIN rail

Packaging specifications

Type of packaging	packed in cardboard
Outer packaging type	Carton

UM-ALU 4-100,5 PROFILE 165 - Profile

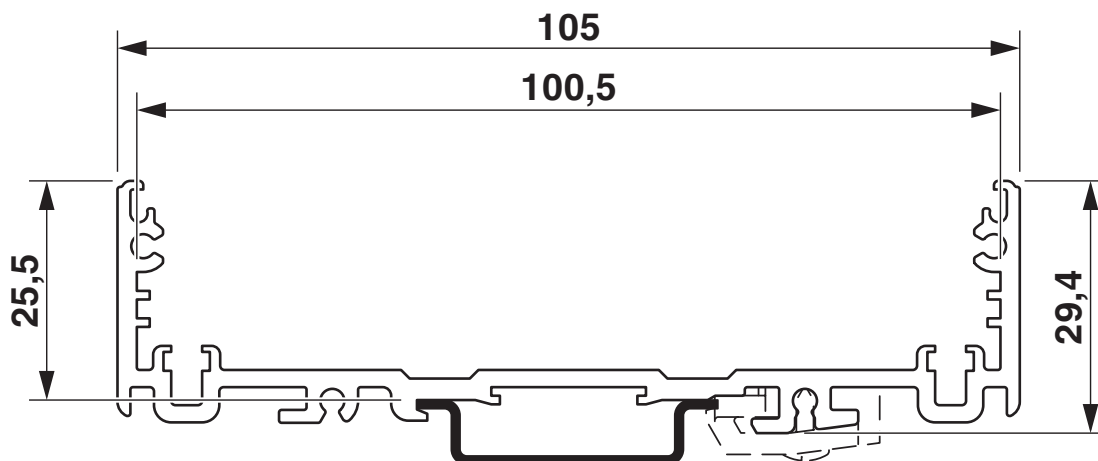


2200939

<https://www.phoenixcontact.com/us/products/2200939>

Drawings

Dimensional drawing



UM-ALU 4-100,5 PROFILE 165 - Profile

2200939

<https://www.phoenixcontact.com/us/products/2200939>



Dimensional drawing



UM-ALU 4-100,5 PROFILE 165 - Profile



2200939

<https://www.phoenixcontact.com/us/products/2200939>

Classifications

ECLASS

ECLASS-13.0	27190601
ECLASS-15.0	27190601

ETIM

ETIM 10.0	EC002779
-----------	----------

UNSPSC

UNSPSC 21.0	31261500
-------------	----------

UM-ALU 4-100,5 PROFILE 165 - Profile



2200939

<https://www.phoenixcontact.com/us/products/2200939>

Environmental product compliance

EU RoHS

Fulfills EU RoHS substance requirements	Yes, No exemptions
---	--------------------

China RoHS

Environment friendly use period (EFUP)	EFUP-E
	No hazardous substances above the limits

EU REACH SVHC

REACH candidate substance (CAS No.)	No substance above 0.1 wt%
-------------------------------------	----------------------------

Phoenix Contact 2026 © - all rights reserved
<https://www.phoenixcontact.com>

Phoenix Contact USA
586 Fulling Mill Road
Middletown, PA 17057, United States
(+717) 944-1300
info@phoenixcon.com