

# UM-ALU 4-72 FRONT 130 - Front plate



2200928

<https://www.phoenixcontact.com/us/products/2200928>

Please be informed that the data shown in this PDF document is generated from our online catalog. Please find the complete data in the user documentation. Our general terms of use for downloads are valid.

Press-drawn section housings, Basic profile front plate, width: 71.8 mm, length: 131.3 mm, depth: 2 mm, recommended for UM-ALU 4-..COVER PA.. lateral elements



## Your advantages

- Aluminum extruded profile
- Variety of connection technology
- Can be mounted on the DIN rail
- Available in lengths from 42.5 mm ... 990 mm, can be cut to any length
- Available in overall widths of 75 mm and 105 mm
- EMC protection

## Commercial data

Item number	2200928
Packing unit	1 pc
Minimum order quantity	1 pc
Sales key	AC14
Product key	ACHDFC
GTIN	4046356720441
Weight per piece (including packing)	53.2 g
Weight per piece (excluding packing)	53.2 g
Customs tariff number	76061191
Country of origin	DE

# UM-ALU 4-72 FRONT 130 - Front plate



2200928

<https://www.phoenixcontact.com/us/products/2200928>

## Technical data

### Product properties

Product type	Component housing cover
Housing type	Press-drawn section housings
Housing series	UM-ALU
Product family	UM-ALU 4-72
Ventilation openings present	no

### Dimensions

Width	71.8 mm
Depth	2 mm
Length	131.3 mm

### Material specifications

Color (Housing)	aluminum color
Material Housing	Aluminum (anodized)
Surface characteristics	anodized

### Environmental and real-life conditions

#### Ambient conditions

Max. IP code to attain	IP40
Ambient temperature (operation)	-40 °C ... 100 °C (depending on power dissipation)
Ambient temperature (storage/transport)	-40 °C ... 55 °C
Ambient temperature (assembly)	-5 °C ... 100 °C

# UM-ALU 4-72 FRONT 130 - Front plate

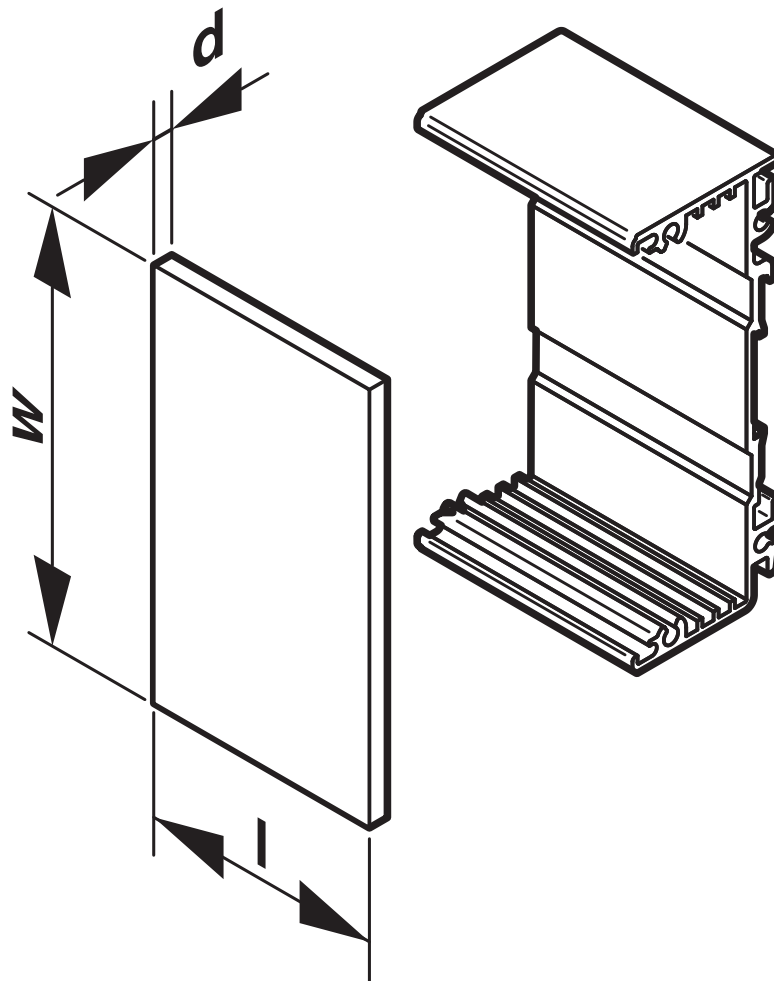
2200928

<https://www.phoenixcontact.com/us/products/2200928>



## Drawings

Schematic diagram



# UM-ALU 4-72 FRONT 130 - Front plate



2200928

<https://www.phoenixcontact.com/us/products/2200928>

## Classifications

### ECLASS

ECLASS-13.0	27190605
ECLASS-15.0	27190605

### ETIM

ETIM 9.0	EC002779
----------	----------

### UNSPSC

UNSPSC 21.0	31261500
-------------	----------

# UM-ALU 4-72 FRONT 130 - Front plate



2200928

<https://www.phoenixcontact.com/us/products/2200928>

## Environmental product compliance

### EU RoHS

Fulfills EU RoHS substance requirements	Yes, No exemptions
---	--------------------

### China RoHS

Environment friendly use period (EFUP)	EFUP-E
	No hazardous substances above the limits

### EU REACH SVHC

REACH candidate substance (CAS No.)	No substance above 0.1 wt%
-------------------------------------	----------------------------

Phoenix Contact 2026 © - all rights reserved  
<https://www.phoenixcontact.com>

Phoenix Contact USA  
586 Fulling Mill Road  
Middletown, PA 17057, United States  
(+717) 944-1300  
[info@phoenixcon.com](mailto:info@phoenixcon.com)