

# UM-ALU 4-72 PROFILE 200 - Profile

2200922

<https://www.phoenixcontact.com/us/products/2200922>

Please be informed that the data shown in this PDF document is generated from our online catalog. Please find the complete data in the user documentation. Our general terms of use for downloads are valid.



Press-drawn section housings, Screw mounting, Basic profile, profile width (internal): 72 mm, profile width (external): 75 mm, length: 200 mm, depth: 29.4 mm

## Your advantages

- Aluminum extruded profile
- Variety of connection technology
- Can be mounted on the DIN rail
- Available in lengths from 42.5 mm ... 990 mm, can be cut to any length
- Available in overall widths of 75 mm and 105 mm
- EMC protection

## Commercial data

Item number	2200922
Packing unit	1 pc
Minimum order quantity	1 pc
Sales key	AC14
Product key	ACHDFA
GTIN	4046356716260
Weight per piece (including packing)	158.7 g
Weight per piece (excluding packing)	158.7 g
Customs tariff number	76042990
Country of origin	DE

# UM-ALU 4-72 PROFILE 200 - Profile

2200922

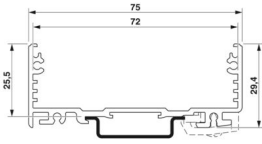
<https://www.phoenixcontact.com/us/products/2200922>

## Technical data

### Product properties

Product type	Lower housing part
Housing type	Press-drawn section housings
Housing type	Extruded profile housings
Housing series	UM-ALU
Product family	UM-ALU 4-72
Ventilation openings present	no

### Dimensions

Dimensional drawing	
Depth	29.4 mm
Depth from top edge of DIN rail	25.5 mm
Length	200 mm

### External dimensions

Profile width (external)	75 mm
--------------------------	-------

### Internal dimensions

Profile width (internal)	72 mm
--------------------------	-------

### PCB design

PCB thickness	1.44 mm ... 2 mm
---------------	------------------

### Material specifications

Color (Housing)	aluminum color
Material	Aluminum (anodized)
Surface characteristics	anodized

### Environmental and real-life conditions

#### Ambient conditions

Max. IP code to attain	IP40
Ambient temperature (operation)	-40 °C ... 105 °C (depending on power dissipation)
Ambient temperature (storage/transport)	-40 °C ... 55 °C
Ambient temperature (assembly)	-5 °C ... 100 °C

### PCB data

Number of PCB holders	3
Type of PCB mount	Slot

# UM-ALU 4-72 PROFILE 200 - Profile



2200922

<https://www.phoenixcontact.com/us/products/2200922>

PCB surface	12967 mm <sup>2</sup> ... 13656 mm <sup>2</sup> (TOP in conjunction with side elements COVER...AL)
	13137 mm <sup>2</sup> ... 13586 mm <sup>2</sup> (BOTTOM in conjunction with side elements COVER...AL)
	12967 mm <sup>2</sup> ... 13943 mm <sup>2</sup> (TOP in conjunction with side elements COVER...PA)
	13276 mm <sup>2</sup> ... 13943 mm <sup>2</sup> (BOTTOM in conjunction with side elements COVER...PA)
Thickness of the PCB	1.44 mm ... 2 mm

## Mounting

Mounting type	Screw mounting
Mounting position	parallel to the DIN rail

## Packaging specifications

Type of packaging	packed in cardboard
Outer packaging type	Carton

# UM-ALU 4-72 PROFILE 200 - Profile

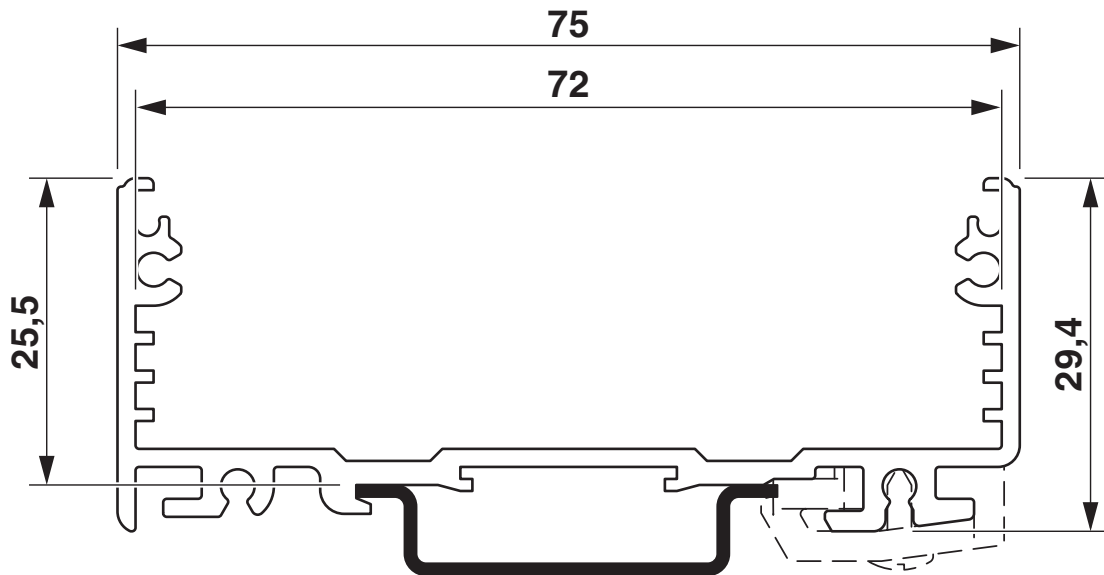


2200922

<https://www.phoenixcontact.com/us/products/2200922>

## Drawings

Dimensional drawing



# UM-ALU 4-72 PROFILE 200 - Profile

2200922

<https://www.phoenixcontact.com/us/products/2200922>



Dimensional drawing



# UM-ALU 4-72 PROFILE 200 - Profile



2200922

<https://www.phoenixcontact.com/us/products/2200922>

## Classifications

### ECLASS

ECLASS-13.0	27190601
ECLASS-15.0	27190601

### ETIM

ETIM 10.0	EC002779
-----------	----------

### UNSPSC

UNSPSC 21.0	31261500
-------------	----------

# UM-ALU 4-72 PROFILE 200 - Profile



2200922

<https://www.phoenixcontact.com/us/products/2200922>

## Environmental product compliance

### EU RoHS

Fulfills EU RoHS substance requirements	Yes, No exemptions
---	--------------------

### China RoHS

Environment friendly use period (EFUP)	EFUP-E
	No hazardous substances above the limits

### EU REACH SVHC

REACH candidate substance (CAS No.)	No substance above 0.1 wt%
-------------------------------------	----------------------------

Phoenix Contact 2026 © - all rights reserved  
<https://www.phoenixcontact.com>

Phoenix Contact USA  
586 Fulling Mill Road  
Middletown, PA 17057, United States  
(+717) 944-1300  
[info@phoenixcon.com](mailto:info@phoenixcon.com)