

HC-ALU 6-161 PROFILE 100 - Electronics housing



2200902

<https://www.phoenixcontact.com/us/products/2200902>

Please be informed that the data shown in this PDF document is generated from our online catalog. Please find the complete data in the user documentation. Our general terms of use for downloads are valid.



Profile housing, Panel mounting (with accessories as an option), Aluminum profile, 2-piece, profile width (internal): 161 mm, profile width (external): 187 mm, length: 100 mm, height: 187 mm, depth: 54.6 mm

Your advantages

- Aluminum extruded profile
- Available in lengths from 100 mm ... 1000 mm, can be cut to any length
- Available in overall widths from 53.5 mm ... 161 mm
- Up to IP65 degree of protection
- Can be used as handheld and wall housing
- Optional EMC seals available

Commercial data

Item number	2200902
Packing unit	1 pc
Minimum order quantity	1 pc
Sales key	AC02
Product key	ACFAAA
GTIN	4046356715843
Weight per piece (including packing)	413.9 g
Weight per piece (excluding packing)	413.9 g
Customs tariff number	76042100
Country of origin	HU

2200902

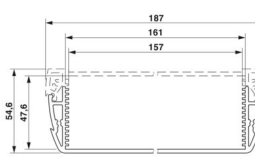
<https://www.phoenixcontact.com/us/products/2200902>

Technical data

Product properties

Product type	Component housing lower part
Housing type	Profile housing
Housing series	HC-ALU
Product family	HC-ALU 6-161
Ventilation openings present	no

Dimensions

Dimensional drawing	
Height	187 mm
Depth	54.6 mm
Length	100 mm

External dimensions

Profile width (external)	187 mm
--------------------------	--------

Internal dimensions

Profile width (internal)	161 mm
--------------------------	--------

Material specifications

Color (Housing)	graphite gray (RAL 7024)
Material	Aluminum (powder-coated)
Surface characteristics	powder coated

Environmental and real-life conditions

Ambient conditions

Max. IP code to attain	IP65
Ambient temperature (operation)	-40 °C ... 85 °C

PCB data

Number of PCB holders	13
Type of PCB mount	Slot

Mounting

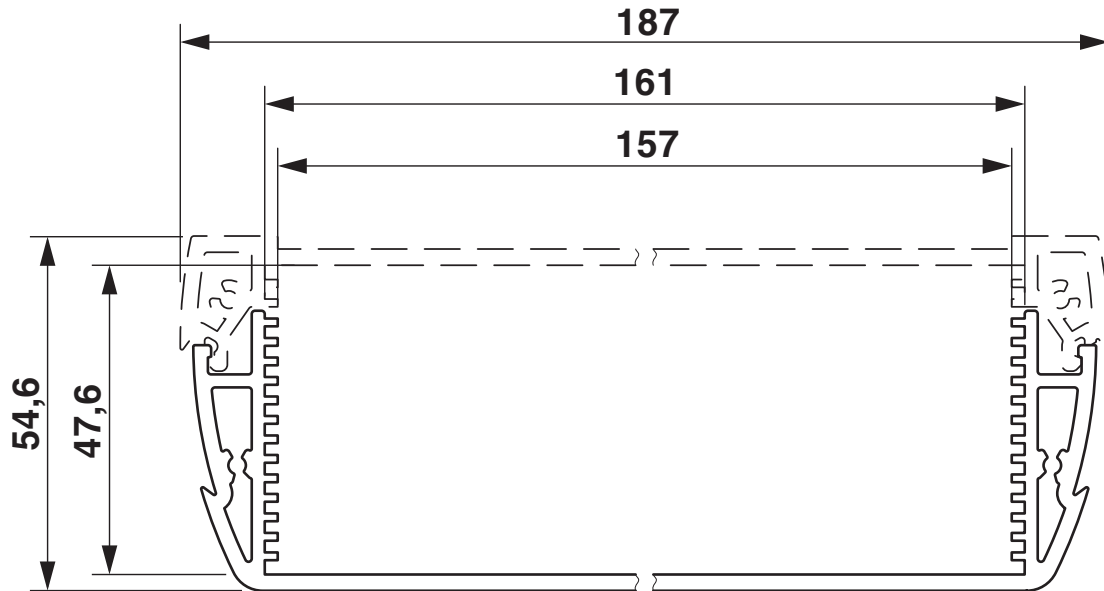
Mounting type	Panel mounting (with accessories as an option)
---------------	--

2200902

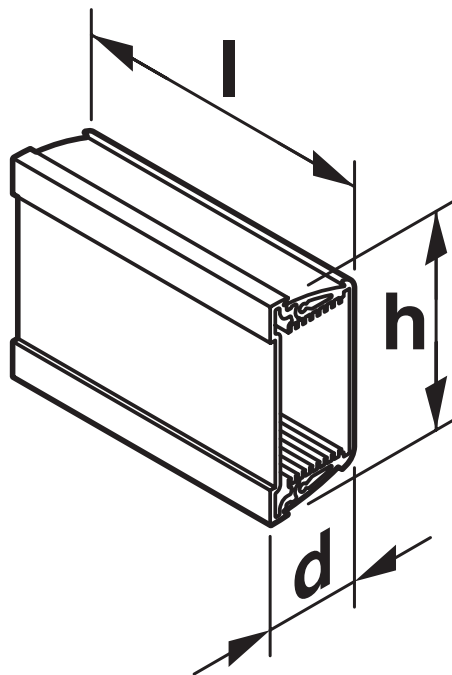
<https://www.phoenixcontact.com/us/products/2200902>

Drawings

Dimensional drawing



Dimensional drawing



Schematic view

HC-ALU 6-161 PROFILE 100 - Electronics housing



2200902

<https://www.phoenixcontact.com/us/products/2200902>

Classifications

ECLASS

ECLASS-13.0	27190601
ECLASS-15.0	27190601

ETIM

ETIM 10.0	EC002779
-----------	----------

UNSPSC

UNSPSC 21.0	31261500
-------------	----------

HC-ALU 6-161 PROFILE 100 - Electronics housing



2200902

<https://www.phoenixcontact.com/us/products/2200902>

Environmental product compliance

EU RoHS

Fulfills EU RoHS substance requirements	Yes, No exemptions
---	--------------------

China RoHS

Environment friendly use period (EFUP)	EFUP-E
	No hazardous substances above the limits

EU REACH SVHC

REACH candidate substance (CAS No.)	No substance above 0.1 wt%
-------------------------------------	----------------------------

Phoenix Contact 2026 © - all rights reserved
<https://www.phoenixcontact.com>

Phoenix Contact USA
586 Fulling Mill Road
Middletown, PA 17057, United States
(+717) 944-1300
info@phoenixcon.com