

# UM 45-PROFIL 13,3CM - Profile



2200581

<https://www.phoenixcontact.com/us/products/2200581>

Please be informed that the data shown in this PDF document is generated from our online catalog. Please find the complete data in the user documentation. Our general terms of use for downloads are valid.

Press-drawn section housings, Basic profile, profile width (internal): 41.85 mm, profile width (external): 44.8 mm, length: 133 mm, height: 44.8 mm, depth: 18.95 mm



## Your advantages

- Easy installation
- Flexible size and shape
- Inexpensive as a result of reducing the number of separate housing parts

## Commercial data

Item number	2200581
Packing unit	10 pc
Minimum order quantity	250 pc
Note	Made to order (non-returnable)
Product key	ACHDBA
GTIN	4046356621526
Weight per piece (including packing)	34.13 g
Weight per piece (excluding packing)	32.45 g
Country of origin	DE

# UM 45-PROFIL 13,3CM - Profile

2200581

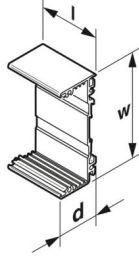
<https://www.phoenixcontact.com/us/products/2200581>

## Technical data

### Product properties

Product type	Component housing lower part
Housing type	Press-drawn section housings
Housing type	Extruded profile housings
Housing series	UM
Product family	UM45
Ventilation openings present	no

### Dimensions

Dimensional drawing	
Height	44.8 mm
Depth	18.95 mm
Length	133 mm

### External dimensions

Profile width (external)	44.8 mm
--------------------------	---------

### Internal dimensions

Profile width (internal)	41.85 mm
--------------------------	----------

### Material specifications

Material Housing	PVC
------------------	-----

### Environmental and real-life conditions

#### Ambient conditions

Ambient temperature (operation)	-15 °C ... 50 °C
---------------------------------	------------------

### PCB data

Number of PCB holders	2
-----------------------	---

# UM 45-PROFIL 13,3CM - Profile

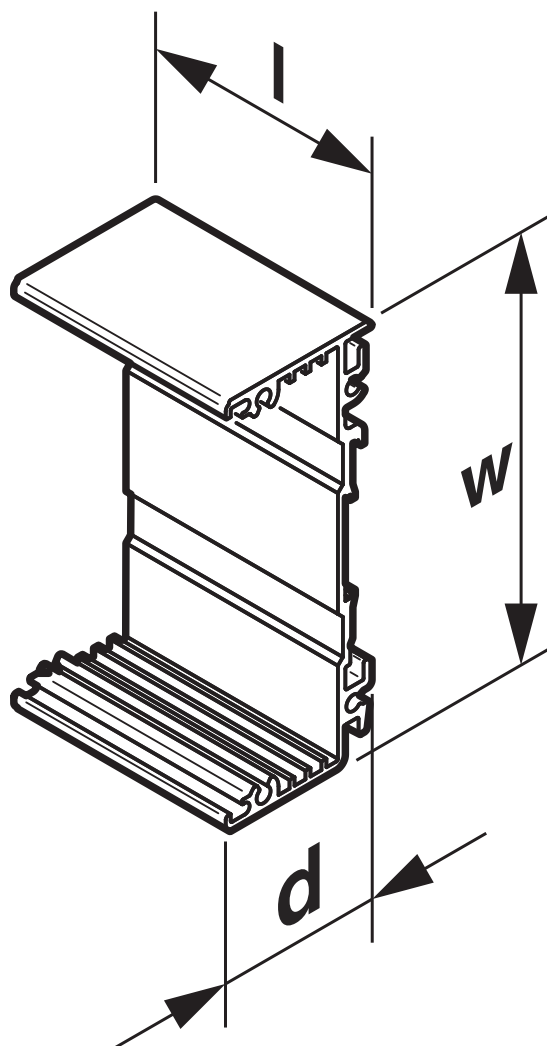
2200581

<https://www.phoenixcontact.com/us/products/2200581>



## Drawings

Dimensional drawing



# UM 45-PROFIL 13,3CM - Profile



2200581

<https://www.phoenixcontact.com/us/products/2200581>

## Classifications

### ECLASS

ECLASS-13.0	27190601
ECLASS-15.0	27190601

### ETIM

ETIM 10.0	EC002779
-----------	----------

### UNSPSC

UNSPSC 21.0	31261500
-------------	----------

# UM 45-PROFIL 13,3CM - Profile



2200581

<https://www.phoenixcontact.com/us/products/2200581>

## Environmental product compliance

### EU RoHS

Fulfills EU RoHS substance requirements	Yes, No exemptions
---	--------------------

### China RoHS

Environment friendly use period (EFUP)	EFUP-E
	No hazardous substances above the limits

### EU REACH SVHC

REACH candidate substance (CAS No.)	No substance above 0.1 wt%
-------------------------------------	----------------------------

Phoenix Contact 2026 © - all rights reserved  
<https://www.phoenixcontact.com>

Phoenix Contact USA  
586 Fulling Mill Road  
Middletown, PA 17057, United States  
(+717) 944-1300  
[info@phoenixcon.com](mailto:info@phoenixcon.com)