

# ME 90 OT-1MSTBO KMGY - Upper housing part



2200523

<https://www.phoenixcontact.com/us/products/2200523>

Please be informed that the data shown in this PDF document is generated from our online catalog. Please find the complete data in the user documentation. Our general terms of use for downloads are valid.

DIN rail housing, Upper housing part for connectors with header, width: 90.4 mm, height: 99 mm, depth: 45.85 mm, color: light gray (similar RAL 7035)



## Your advantages

- Tool-free mounting
- Available in overall widths from 12.5 mm ... 90 mm, modular extension is possible
- Flammability rating V0 in accordance with UL 94
- Variety of connection technology
- Can be mounted on the DIN rail
- With integrated or DIN-rail-mountable bus connector as an option

## Commercial data

Item number	2200523
Packing unit	10 pc
Minimum order quantity	10 pc
Sales key	AC08
Product key	ACHAAD
GTIN	4046356606066
Weight per piece (including packing)	53.61 g
Weight per piece (excluding packing)	53.61 g
Customs tariff number	85389099
Country of origin	DE

# ME 90 OT-1MSTBO KMGY - Upper housing part

2200523

<https://www.phoenixcontact.com/us/products/2200523>

## Technical data

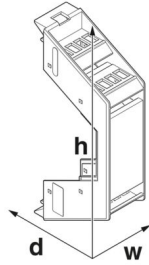
### Notes

Assembly note	Please observe the application note in the download area.
---------------	---

### Product properties

Product type	Upper housing part
Housing type	DIN rail housing
Housing series	ME
Product family	ME 90..
Max. number of positions	20 (pitch: 3.5 mm) 16 (pitch: 5 mm) 12 (pitch: 7.25 mm)
Number of rows	1
Ventilation openings present	no
Anzahl der Etagen Housing (Makro)	1 (Single-sided)

### Dimensions

Dimensional drawing	
Width	90.4 mm
Height	99 mm
Depth	45.85 mm
Depth from base support surface	38.5 mm

### PCB design

PCB thickness	1.4 mm ... 1.8 mm
---------------	-------------------

### Material specifications

Color (Upper housing part)	light gray (RAL 7035)
Material Upper housing part	PA
Flammability rating according to UL 94	V0
CTI according to IEC 60112	600

### Environmental and real-life conditions

#### Vibration test

Specification	IEC 60068-2-6:2007-12
---------------	-----------------------

# ME 90 OT-1MSTBO KMGY - Upper housing part



2200523

<https://www.phoenixcontact.com/us/products/2200523>

Frequency	10 - 150 - 10 Hz
Sweep speed	1 octave/min
Amplitude	0.15 mm (10 Hz ... 58.1 Hz)
Acceleration	2g (58.1 Hz ... 150 Hz)
Test duration per axis	2.5 h
Test directions	X-, Y- and Z-axis

## Glow-wire test

Specification	IEC 60695-2-11:2014-02
Temperature	850 °C
Time of exposure	30 s

## Thermal stability / ball thrust test

Specification	IEC 60695-10-2:2014-02
Temperature	125 °C
Test duration	1 h
Force	20 N

## Mechanical strength / tumbling barrel

Specification	IEC 60998-1:2002-12
Height of fall	50 cm
Frequency	10

## Shocks

Specification	IEC 60068-2-27:2008-02
Pulse shape	Half-sine
Acceleration	15g
Shock duration	11 ms
Number of shocks per direction	3
Test directions	X-, Y- and Z-axis (pos. and neg.)

## Degree of protection (IP code)

Specification	IEC 60529:1989-11 + AMD 1:1999-11 + AMD 2:2013-08
---------------	---

## Ambient conditions

Max. IP code to attain	IP20
Ambient temperature (operation)	-40 °C ... 105 °C (depending on power dissipation)
Ambient temperature (storage/transport)	-40 °C ... 55 °C
Ambient temperature (assembly)	-5 °C ... 100 °C
Relative humidity (storage/transport)	80 %

## PCB data

Number of PCB holders	4
Type of PCB mount	Slot
Thickness of the PCB	1.4 mm ... 1.8 mm

## Mounting

# ME 90 OT-1MSTBO KMGY - Upper housing part



2200523

<https://www.phoenixcontact.com/us/products/2200523>

Mounting type	Latching with lower housing part
---------------	----------------------------------

## Packaging specifications

Type of packaging	packed in cardboard
Outer packaging type	Carton

# ME 90 OT-1MSTBO KMGY - Upper housing part

2200523

<https://www.phoenixcontact.com/us/products/2200523>



## Drawings

Dimensional drawing



Schematic figure for illustrating the item dimensions. The figure is not of the desired product. For further details, refer to the product drawings in the "Downloads" tab.

# ME 90 OT-1MSTBO KMGY - Upper housing part



2200523

<https://www.phoenixcontact.com/us/products/2200523>

## Approvals

To download certificates, visit the product detail page: <https://www.phoenixcontact.com/us/products/2200523>



**UL Recognized**

Approval ID: E240868

# ME 90 OT-1MSTBO KMGY - Upper housing part



2200523

<https://www.phoenixcontact.com/us/products/2200523>

## Classifications

### ECLASS

ECLASS-13.0	27190603
ECLASS-15.0	27190603

### ETIM

ETIM 10.0	EC002779
-----------	----------

### UNSPSC

UNSPSC 21.0	31261500
-------------	----------

# ME 90 OT-1MSTBO KMGY - Upper housing part



2200523

<https://www.phoenixcontact.com/us/products/2200523>

## Environmental product compliance

### EU RoHS

Fulfills EU RoHS substance requirements	Yes, No exemptions
---	--------------------

### China RoHS

Environment friendly use period (EFUP)	EFUP-E
	No hazardous substances above the limits

### EU REACH SVHC

REACH candidate substance (CAS No.)	No substance above 0.1 wt%
-------------------------------------	----------------------------

### EF3.1 Climate Change

CO2e kg	0.274 kg CO2e
---------	---------------

Phoenix Contact 2026 © - all rights reserved  
<https://www.phoenixcontact.com>

Phoenix Contact USA  
586 Fulling Mill Road  
Middletown, PA 17057, United States  
(+717) 944-1300  
[info@phoenixcon.com](mailto:info@phoenixcon.com)