

# EG 45-AG/ABS BK - Electronics housing

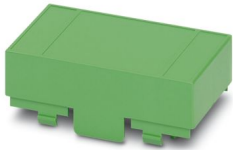


2200448

<https://www.phoenixcontact.com/us/products/2200448>

Please be informed that the data shown in this PDF document is generated from our online catalog. Please find the complete data in the user documentation. Our general terms of use for downloads are valid.

Electronics housing, color: black ,Component housing, length: 75 mm, Cover, closed, width: 45 mm, height: 17.5 mm



The figure shows the standard item in green

## Your advantages

- Tool-free mounting

## Commercial data

Item number	2200448
Packing unit	10 pc
Minimum order quantity	250 pc
Product key	ACHCGA
GTIN	4046356581219
Weight per piece (including packing)	14.85 g
Weight per piece (excluding packing)	14.85 g
Country of origin	DE

2200448

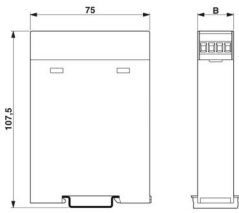
<https://www.phoenixcontact.com/us/products/2200448>

## Technical data

### Product properties

Product type	Upper housing part
Housing type	Component housing
Number of positions	16

### Dimensions

Dimensional drawing	
Width	45 mm
Installed height	17.5 mm
Depth	75 mm
Length	75 mm

### Material specifications

Color	black (RAL 9005)
Flammability rating according to UL 94	HB
Housing material	Acryl butadiene styrene (ABS)

# EG 45-AG/ABS BK - Electronics housing

2200448

<https://www.phoenixcontact.com/us/products/2200448>



## Drawings

Dimensional drawing



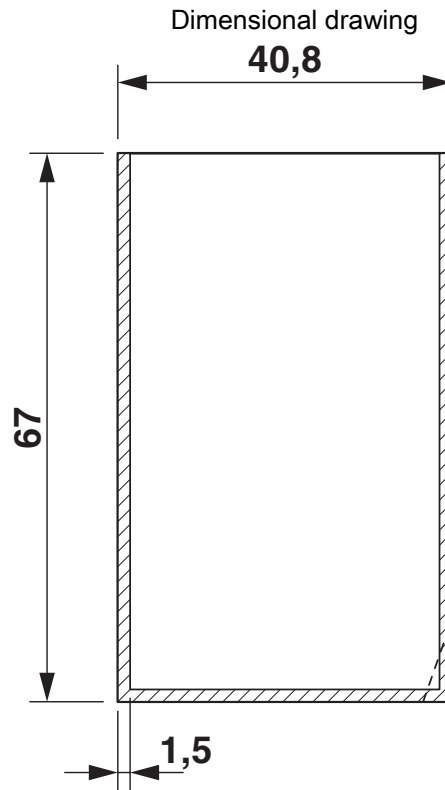


Component mounting side, if the double-level upper part is used

# EG 45-AG/ABS BK - Electronics housing

2200448

<https://www.phoenixcontact.com/us/products/2200448>



valid for PCB 1; 3; 5 and 6, see explosion drawing



valid for PCB 7 and 12, see explosion drawing

# EG 45-AG/ABS BK - Electronics housing

2200448

<https://www.phoenixcontact.com/us/products/2200448>



valid for PCB 10, see explosion drawing

# EG 45-AG/ABS BK - Electronics housing

2200448

<https://www.phoenixcontact.com/us/products/2200448>



valid for PCB 13

# EG 45-AG/ABS BK - Electronics housing

2200448

<https://www.phoenixcontact.com/us/products/2200448>



valid for PCB 14

# EG 45-AG/ABS BK - Electronics housing



2200448

<https://www.phoenixcontact.com/us/products/2200448>

## Environmental product compliance

### EU RoHS

Fulfills EU RoHS substance requirements	Yes, No exemptions
---	--------------------

### China RoHS

Environment friendly use period (EFUP)	EFUP-E
	No hazardous substances above the limits

### EU REACH SVHC

REACH candidate substance (CAS No.)	No substance above 0.1 wt%
-------------------------------------	----------------------------

Phoenix Contact 2026 © - all rights reserved  
<https://www.phoenixcontact.com>

Phoenix Contact USA  
586 Fulling Mill Road  
Middletown, PA 17057, United States  
(+717) 944-1300  
[info@phoenixcon.com](mailto:info@phoenixcon.com)