

EG 90-GMF/PC GY - Mounting base housing



2200186

<https://www.phoenixcontact.com/us/products/2200186>

Please be informed that the data shown in this PDF document is generated from our online catalog. Please find the complete data in the user documentation. Our general terms of use for downloads are valid.



Component housing, Lower housing part with metal foot catch, without vents, width: 90 mm, height: 75 mm, color: window gray (similar RAL 7040), cross connection: without bus connector, number of positions cross connector: not relevant

The figure shows fully mounted versions of the electronic housing, in green

Your advantages

- Tool-free mounting

Commercial data

| | |
|--------------------------------------|---------------|
| Item number | 2200186 |
| Packing unit | 10 pc |
| Minimum order quantity | 100 pc |
| Product key | ACHCGA |
| GTIN | 4046356530293 |
| Weight per piece (including packing) | 99.09 g |
| Weight per piece (excluding packing) | 80.013 g |
| Country of origin | PL |

EG 90-GMF/PC GY - Mounting base housing

2200186

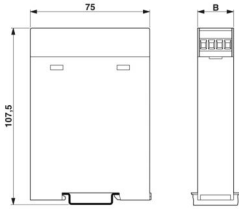
<https://www.phoenixcontact.com/us/products/2200186>

Technical data

Product properties

| | |
|------------------------------|--------------------|
| Product type | Lower housing part |
| Housing type | Component housing |
| Housing series | EG |
| Product family | EG...G |
| Ventilation openings present | no |

Dimensions

| | |
|---------------------|---|
| Dimensional drawing |  |
| Width | 90 mm |
| Height | 75 mm |

PCB design

| | |
|---------------|-------------------|
| PCB thickness | 1.4 mm ... 1.8 mm |
|---------------|-------------------|

Material specifications

| | |
|--|------------------------|
| Color (Housing) | window gray (RAL 7040) |
| Flammability rating according to UL 94 | V0 |
| Housing material | PC |

Environmental and real-life conditions

Ambient conditions

| | |
|---|--|
| Max. IP code to attain | IP20 |
| Ambient temperature (operation) | -40 °C ... 105 °C (depending on power dissipation) |
| Ambient temperature (storage/transport) | -40 °C ... 70 °C |
| Ambient temperature (assembly) | -5 °C ... 100 °C |

PCB data

| | |
|----------------------|-------------------|
| Thickness of the PCB | 1.4 mm ... 1.8 mm |
|----------------------|-------------------|

Mounting

| | |
|---------------|-------------------|
| Mounting type | DIN rail mounting |
|---------------|-------------------|

EG 90-GMF/PC GY - Mounting base housing

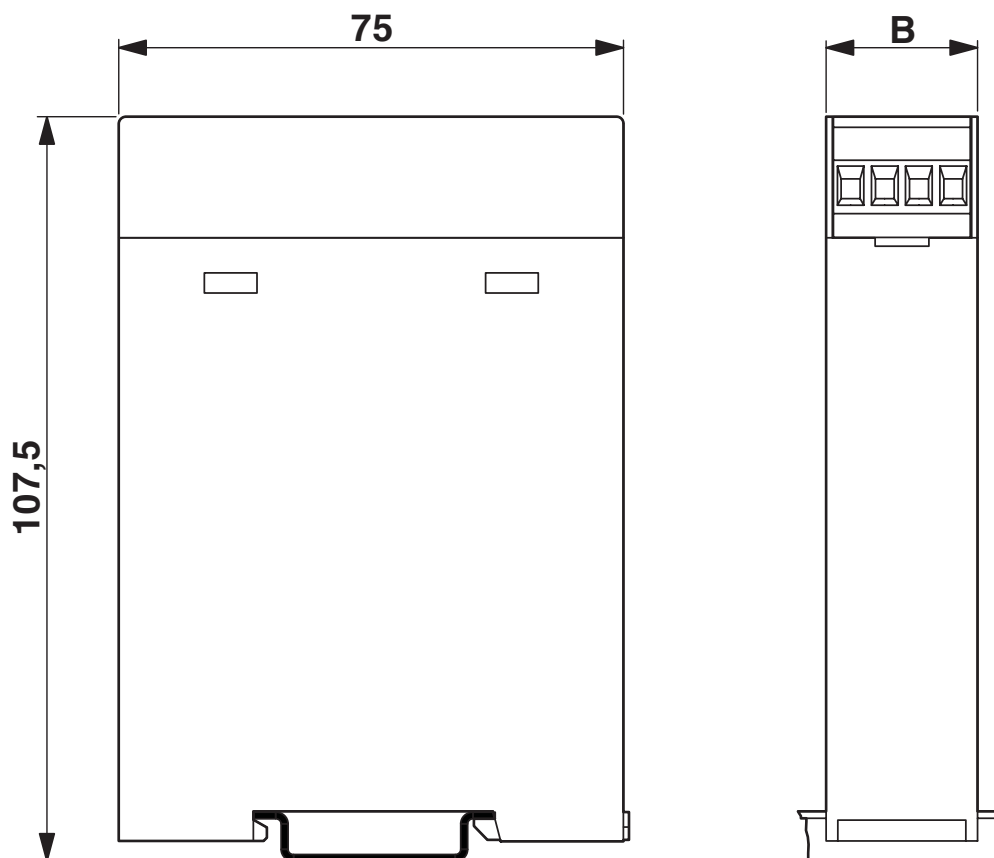
2200186

<https://www.phoenixcontact.com/us/products/2200186>



Drawings

Dimensional drawing



EG 90-GMF/PC GY - Mounting base housing



2200186

<https://www.phoenixcontact.com/us/products/2200186>

Classifications

ECLASS

ECLASS-13.0

27190601

UNSPSC

UNSPSC 21.0

31261500

EG 90-GMF/PC GY - Mounting base housing



2200186

<https://www.phoenixcontact.com/us/products/2200186>

Environmental product compliance

EU RoHS

| | |
|---|--------------------|
| Fulfills EU RoHS substance requirements | Yes, No exemptions |
|---|--------------------|

China RoHS

| | |
|--|--|
| Environment friendly use period (EFUP) | EFUP-E |
| | No hazardous substances above the limits |

EU REACH SVHC

| | |
|-------------------------------------|----------------------------|
| REACH candidate substance (CAS No.) | No substance above 0.1 wt% |
|-------------------------------------|----------------------------|

Phoenix Contact 2026 © - all rights reserved
<https://www.phoenixcontact.com>

Phoenix Contact USA
586 Fulling Mill Road
Middletown, PA 17057, United States
(+717) 944-1300
info@phoenixcon.com