

EG 90-A/PC ABDECKUNG GY - Upper housing part



2200185

<https://www.phoenixcontact.com/us/products/2200185>

Please be informed that the data shown in this PDF document is generated from our online catalog. Please find the complete data in the user documentation. Our general terms of use for downloads are valid.



Component housing, Cover, for two-sided connection, width: 90 mm, height: 75 mm, color: window gray (similar RAL 7040)

The figure shows fully mounted versions of the electronic housing, in green

Your advantages

- Tool-free mounting

Commercial data

Item number	2200185
Packing unit	10 pc
Minimum order quantity	100 pc
Product key	ACHCGA
GTIN	4046356530286
Weight per piece (including packing)	24.9 g
Weight per piece (excluding packing)	24.62 g
Country of origin	PL

EG 90-A/PC ABDECKUNG GY - Upper housing part

2200185

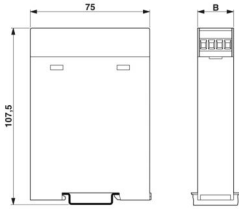
<https://www.phoenixcontact.com/us/products/2200185>

Technical data

Product properties

Product type	Upper housing part
Housing type	Component housing
Housing series	EG
Product family	EG...A
Ventilation openings present	no

Dimensions

Dimensional drawing	
Width	90 mm
Height	75 mm

PCB design

PCB thickness	1.4 mm ... 1.8 mm
---------------	-------------------

Material specifications

Color (Housing)	window gray (RAL 7040)
Flammability rating according to UL 94	V0
Housing material	PC
Surface characteristics	untreated

Environmental and real-life conditions

Ambient conditions

Max. IP code to attain	IP20
Ambient temperature (operation)	-40 °C ... 105 °C (depending on power dissipation)
Ambient temperature (storage/transport)	-40 °C ... 70 °C
Ambient temperature (assembly)	-5 °C ... 100 °C

PCB data

Thickness of the PCB	1.4 mm ... 1.8 mm
----------------------	-------------------

Mounting

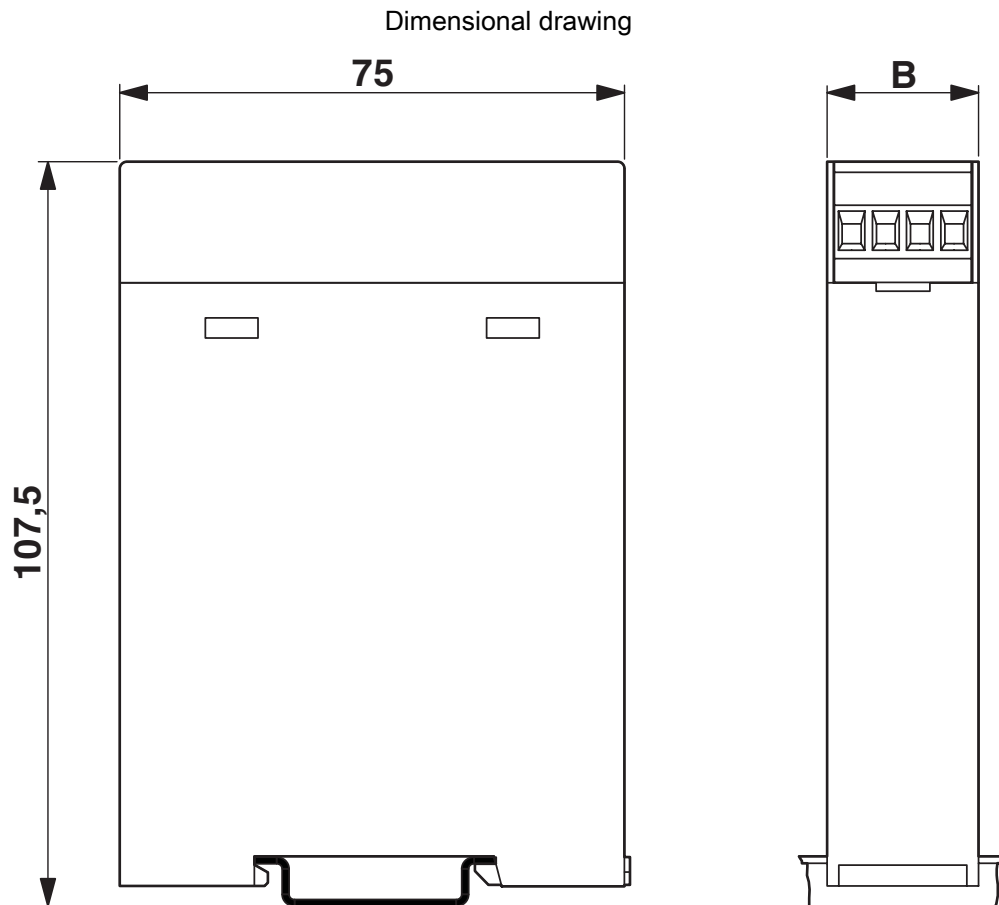
Mounting type	Snap in
---------------	---------

EG 90-A/PC ABDECKUNG GY - Upper housing part

2200185

<https://www.phoenixcontact.com/us/products/2200185>

Drawings



EG 90-A/PC ABDECKUNG GY - Upper housing part



2200185

<https://www.phoenixcontact.com/us/products/2200185>

Classifications

ECLASS

ECLASS-13.0

27190603

UNSPSC

UNSPSC 21.0

31261500

EG 90-A/PC ABDECKUNG GY - Upper housing part



2200185

<https://www.phoenixcontact.com/us/products/2200185>

Environmental product compliance

EU RoHS

Fulfills EU RoHS substance requirements	Yes, No exemptions
---	--------------------

China RoHS

Environment friendly use period (EFUP)	EFUP-E
	No hazardous substances above the limits

EU REACH SVHC

REACH candidate substance (CAS No.)	No substance above 0.1 wt%
-------------------------------------	----------------------------

Phoenix Contact 2026 © - all rights reserved
<https://www.phoenixcontact.com>

Phoenix Contact USA
586 Fulling Mill Road
Middletown, PA 17057, United States
(+717) 944-1300
info@phoenixcon.com