

SMC 1,5/ 6-G-3,81 HT BK-R44 - PCB header



1958672

<https://www.phoenixcontact.com/us/products/1958672>

Please be informed that the data shown in this PDF document is generated from our online catalog. Please find the complete data in the user documentation. Our general terms of use for downloads are valid.



PCB headers, nominal cross section: 1.5 mm², color: black, contact surface: Sn, contact connection type: Pin, number of potentials: 6, number of rows: 1, number of positions: 6, number of connections: 6, product range: SMC 1,5/..-G-HT, pitch: 3.81 mm, mounting: THR soldering, pin layout: Linear pinning, solder pin [P]: 3.4 mm, number of solder pins per potential: 1, plug-in system: COMBICON MC 1,5, Pin connector pattern alignment: Standard, locking: without, mounting method: without, type of packaging: 44 mm wide tape

Your advantages

- Designed for integration into the SMT soldering process
- Angled connection enables multi-row arrangement on the PCB
- Maximum flexibility when it comes to device design – one header for connectors with different connection technologies

Commercial data

| | |
|--------------------------------------|---------------|
| Item number | 1958672 |
| Packing unit | 160 pc |
| Minimum order quantity | 160 pc |
| Sales key | AA02 |
| Product key | AABTMA |
| GTIN | 4017918920456 |
| Weight per piece (including packing) | 5.341 g |
| Weight per piece (excluding packing) | 4.884 g |
| Customs tariff number | 85366930 |
| Country of origin | DE |

SMC 1,5/ 6-G-3,81 HT BK-R44 - PCB header



1958672

<https://www.phoenixcontact.com/us/products/1958672>

Technical data

Product properties

| | |
|---------------------------|-----------------------|
| Product type | PCB headers |
| Product family | SMC 1,5/..-G-HT |
| Product line | COMBICON Connectors S |
| Number of positions | 6 |
| Pitch | 3.81 mm |
| Number of connections | 6 |
| Number of rows | 1 |
| Number of potentials | 6 |
| Pin layout | Linear pinning |
| Solder pins per potential | 1 |

Mounting

| | |
|---------------|----------------|
| Mounting type | THR soldering |
| Pin layout | Linear pinning |

Processing notes

| | |
|---|-----------------------|
| Process | Reflow/wave soldering |
| Moisture Sensitive Level | MSL 3 |
| Classification temperature T _c | 245 °C |
| Solder cycles in the reflow | 3 |

Material specifications

Material data - contact

| | |
|---|--|
| Note | WEEE/RoHS-compliant, free of whiskers according to IEC 60068-2-82/JEDEC JESD 201 |
| Contact material | Cu alloy |
| Surface characteristics | Tin-plated |
| Metal surface contact area (top layer) | Tin (3 µm - 5 µm Sn) |
| Metal surface contact area (middle layer) | Nickel (1.3 µm - 3 µm Ni) |
| Metal surface soldering area (top layer) | Tin (3 µm - 5 µm Sn) |
| Metal surface soldering area (middle layer) | Nickel (1.3 µm - 3 µm Ni) |

Material data - housing

| | |
|--|--------------|
| Color (Housing) | black (9005) |
| Insulating material | PA |
| Insulating material group | IIIa |
| CTI according to IEC 60112 | 325 |
| Flammability rating according to UL 94 | V0 |

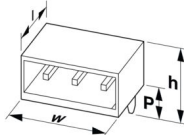
Dimensions

SMC 1,5/ 6-G-3,81 HT BK-R44 - PCB header



1958672

<https://www.phoenixcontact.com/us/products/1958672>

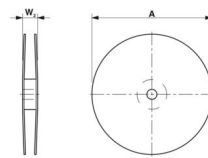
| | | |
|-----------------------|--|--|
| Dimensional drawing | |  |
| Pitch | | 3.81 mm |
| Width [w] | | 24.25 mm |
| Height [h] | | 14.8 mm |
| Length [l] | | 13.1 mm |
| Installed height | | 11 mm |
| Solder pin length [P] | | 3.4 mm |
| Pin dimensions | | 0.8 x 0.8 mm |
| PCB design | | |
| Hole diameter | | 1.2 mm |

Environmental and real-life conditions

Ambient conditions

| | |
|---|---|
| Ambient temperature (storage/transport) | -40 °C ... 70 °C |
| Relative humidity (storage/transport) | 30 % ... 70 % |
| Ambient temperature (assembly) | -5 °C ... 100 °C |
| Ambient temperature (operation) | -40 °C ... 100 °C (dependent on the derating curve) |

Packaging specifications

| | | |
|-----------------------------|--|--|
| Dimensional drawing | |  |
| Type of packaging | | 44 mm wide tape |
| [W] tape width | | 44 mm |
| [W2] coil overall dimension | | ≤ 50.4 mm |
| [A] coil diameter | | ≤ 330 mm |
| Outer packaging type | | Dry bag |

SMC 1,5/ 6-G-3,81 HT BK-R44 - PCB header




1958672

<https://www.phoenixcontact.com/us/products/1958672>

Approvals

To download certificates, visit the product detail page: <https://www.phoenixcontact.com/us/products/1958672>

|  cULus Recognized Approval ID: E60425-20110128 | | Nominal voltage U_N | Nominal current I_N | Cross section AWG | Cross section mm^2 |
|---|--|-----------------------|-----------------------|-------------------|-----------------------------|
| B | | 300 V | 8 A | - | - |
| D | | 300 V | 8 A | - | - |

SMC 1,5/ 6-G-3,81 HT BK-R44 - PCB header



1958672

<https://www.phoenixcontact.com/us/products/1958672>

Classifications

ECLASS

| | |
|-------------|----------|
| ECLASS-13.0 | 27460201 |
| ECLASS-15.0 | 27460201 |

ETIM

| | |
|-----------|----------|
| ETIM 10.0 | EC002637 |
|-----------|----------|

UNSPSC

| | |
|-------------|----------|
| UNSPSC 21.0 | 39121400 |
|-------------|----------|

SMC 1,5/ 6-G-3,81 HT BK-R44 - PCB header



1958672

<https://www.phoenixcontact.com/us/products/1958672>

Environmental product compliance

EU RoHS

| | |
|---|--------------------|
| Fulfills EU RoHS substance requirements | Yes, No exemptions |
|---|--------------------|

China RoHS

| | |
|--|--|
| Environment friendly use period (EFUP) | EFUP-E |
| | No hazardous substances above the limits |

EU REACH SVHC

| | |
|-------------------------------------|----------------------------|
| REACH candidate substance (CAS No.) | No substance above 0.1 wt% |
|-------------------------------------|----------------------------|

EF3.1 Climate Change

| | |
|---------|---------------|
| CO2e kg | 0.062 kg CO2e |
|---------|---------------|

Phoenix Contact 2026 © - all rights reserved
<https://www.phoenixcontact.com>

Phoenix Contact USA
586 Fulling Mill Road
Middletown, PA 17057, United States
(+717) 944-1300
info@phoenixcon.com