

# PTS-5,08 BK - PCB terminal block

1931819

<https://www.phoenixcontact.com/us/products/1931819>

Please be informed that the data shown in this PDF document is generated from our online catalog. Please find the complete data in the user documentation. Our general terms of use for downloads are valid.



The figure shows a 1-pos. version of the product

PCB terminal block, nominal current: 12 A, rated voltage (III/2): 320 V, nominal cross section: 0 mm<sup>2</sup>, number of potentials: 1, number of rows: 1, number of positions per row: 1, product range: PTS, pitch: 5.08 mm, mounting: Wave soldering, color: black, number of solder pins per potential: 2, type of packaging: packed in cardboard

## Your advantages

- Color-coded isolating plugs for easy circuit disconnection
- Quick and convenient testing using integrated test option
- Well-known mounting principle allows worldwide use
- The latching on the side enables various numbers of positions to be combined

## Commercial data

Item number	1931819
Packing unit	50 pc
Minimum order quantity	50 pc
Note	Made to order (non-returnable)
Sales key	AA13
Product key	AAMQAA
GTIN	4017918847654
Weight per piece (including packing)	2.983 g
Weight per piece (excluding packing)	2.929 g
Customs tariff number	85369010
Country of origin	PL

# PTS-5,08 BK - PCB terminal block



1931819

<https://www.phoenixcontact.com/us/products/1931819>

## Technical data

### Product properties

Product type	PCB terminal block
Product family	PTS
Product line	COMBICON Terminals M
Number of positions	1
Pitch	5.08 mm
Number of connections	1
Number of rows	1
Number of potentials	1
Solder pins per potential	2

### Electrical properties

#### Properties

Nominal current $I_N$	12 A
Nominal voltage $U_N$	320 V
Rated voltage (III/3)	250 V
Rated surge voltage (III/3)	4 kV
Rated voltage (III/2)	320 V
Rated surge voltage (III/2)	4 kV
Rated voltage (II/2)	400 V
Rated surge voltage (II/2)	4 kV

### Mounting

Mounting type	Wave soldering
---------------	----------------

### Material specifications

#### Material data - contact

Note	WEEE/RoHS-compliant, free of whiskers according to IEC 60068-2-82/JEDEC JESD 201
Contact material	Cu alloy
Metal surface terminal point (top layer)	Tin (5 $\mu$ m - 7 $\mu$ m Sn)
Metal surface soldering area (top layer)	Tin (5 $\mu$ m - 7 $\mu$ m Sn)

#### Material data - housing

Color (Housing)	black (9005)
Insulating material	PA
Insulating material group	I
CTI according to IEC 60112	600
Flammability rating according to UL 94	V0
Glow wire flammability index GWFI according to EN 60695-2-12	850
Glow wire ignition temperature GWIT according to EN 60695-2-13	775

# PTS-5,08 BK - PCB terminal block

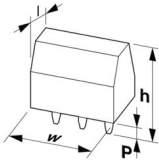


1931819

<https://www.phoenixcontact.com/us/products/1931819>

Temperature for the ball pressure test according to EN 60695-10-2	125 °C
---	--------

## Dimensions

Dimensional drawing	
Pitch	5.08 mm
Pin dimensions	0.8 x 0.9 mm

## Electrical tests

### Air clearances and creepage distances |

Insulating material group	I
Rated insulation voltage (III/3)	250 V
Rated surge voltage (III/3)	4 kV
Rated insulation voltage (III/2)	320 V
Rated surge voltage (III/2)	4 kV
Rated insulation voltage (II/2)	400 V
Rated surge voltage (II/2)	4 kV

## Environmental and real-life conditions

### Ambient conditions

Relative humidity (storage/transport)	30 % ... 70 %
---------------------------------------	---------------

## Packaging specifications

Type of packaging	packed in cardboard
-------------------	---------------------

# PTS-5,08 BK - PCB terminal block



1931819

<https://www.phoenixcontact.com/us/products/1931819>

## Classifications

### ECLASS

ECLASS-13.0	27460101
ECLASS-15.0	27460101

### ETIM

ETIM 10.0	EC002643
-----------	----------

### UNSPSC

UNSPSC 21.0	39121400
-------------	----------

# PTS-5,08 BK - PCB terminal block



1931819

<https://www.phoenixcontact.com/us/products/1931819>

## Environmental product compliance

### EU RoHS

Fulfills EU RoHS substance requirements	Yes, No exemptions
---	--------------------

### China RoHS

Environment friendly use period (EFUP)	EFUP-E
	No hazardous substances above the limits

### EU REACH SVHC

REACH candidate substance (CAS No.)	No substance above 0.1 wt%
-------------------------------------	----------------------------

### EF3.1 Climate Change

CO2e kg	0.023 kg CO2e
---------	---------------

Phoenix Contact 2026 © - all rights reserved  
<https://www.phoenixcontact.com>

Phoenix Contact USA  
586 Fulling Mill Road  
Middletown, PA 17057, United States  
(+717) 944-1300  
[info@phoenixcon.com](mailto:info@phoenixcon.com)