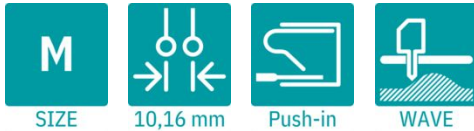


FOPT 2,2-R - FO PCB terminal block

1907924

<https://www.phoenixcontact.com/us/products/1907924>

Please be informed that the data shown in this PDF document is generated from our online catalog. Please find the complete data in the user documentation. Our general terms of use for downloads are valid.



Printed circuit board terminal, nominal cross section: 0 mm², number of potentials: 1, number of rows: 1, number of positions per row: 1, product range: FOPT, pitch: 10.16 mm, connection method: Push-in spring connection, mounting: Wave soldering, conductor/PCB connection direction: 0 °, color: black, Pin layout: Linear pinning, Solder pin [P]: 6 mm, number of solder pins per potential: 4, type of packaging: packed in cardboard. Black, shielded housing with receive diode/fiber optics that can be connected: polymer fiber (according to IEC 60793-2 type A4a, diameter of outer sheath: 2.2 mm)/data rate: 5 Mbps/transmission distance: max. 50 m/detailed data sheet in download area

Your advantages

- Connection of fiber optics without fiber pretreatment
- Time saving push-in connection, tools not required
- Defined contact force ensures that contact remains stable over the long term
- Intuitive operation due to color-coded actuating push button

Commercial data

Item number	1907924
Packing unit	10 pc
Minimum order quantity	10 pc
Sales key	AA13
Product key	AAMSAA
GTIN	4017918606572
Weight per piece (including packing)	3.68 g
Weight per piece (excluding packing)	3.6 g
Customs tariff number	85369010
Country of origin	PL

FOPT 2,2-R - FO PCB terminal block



1907924

<https://www.phoenixcontact.com/us/products/1907924>

Technical data

Product properties

Product type	Printed circuit board terminal
Product family	FOPT
Product line	COMBICON Terminals M
Type	FO printed circuit terminal block with receive diode
Number of positions	1
Pitch	10.16 mm
Number of connections	1
Number of rows	1
Number of potentials	1
Pin layout	Linear pinning
Solder pins per potential	4

Connection data

Conductor connection

Connection method	Push-in spring connection
-------------------	---------------------------

Mounting

Mounting type	Wave soldering
Pin layout	Linear pinning

Material specifications

Material data - contact

Note	WEEE/RoHS-compliant, free of whiskers according to IEC 60068-2-82/JEDEC JESD 201
Contact material	Cu alloy

Material data - housing

Color (Housing)	black (9005)
-----------------	--------------

Dimensions

Dimensional drawing	
Pitch	10.16 mm
Width [w]	10.97 mm
Height [h]	16.6 mm
Length [l]	29.2 mm
Installed height	10.6 mm

FOPT 2,2-R - FO PCB terminal block



1907924

<https://www.phoenixcontact.com/us/products/1907924>

Solder pin length [P]	6 mm
-----------------------	------

PCB design

Hole diameter	0.7 mm
---------------	--------

Environmental and real-life conditions

Ambient conditions

Ambient temperature (storage/transport)	-25 °C ... 85 °C
Relative humidity (storage/transport)	30 % ... 70 %
Ambient temperature (operation)	0 °C ... 70 °C

Packaging specifications

Type of packaging	packed in cardboard
-------------------	---------------------

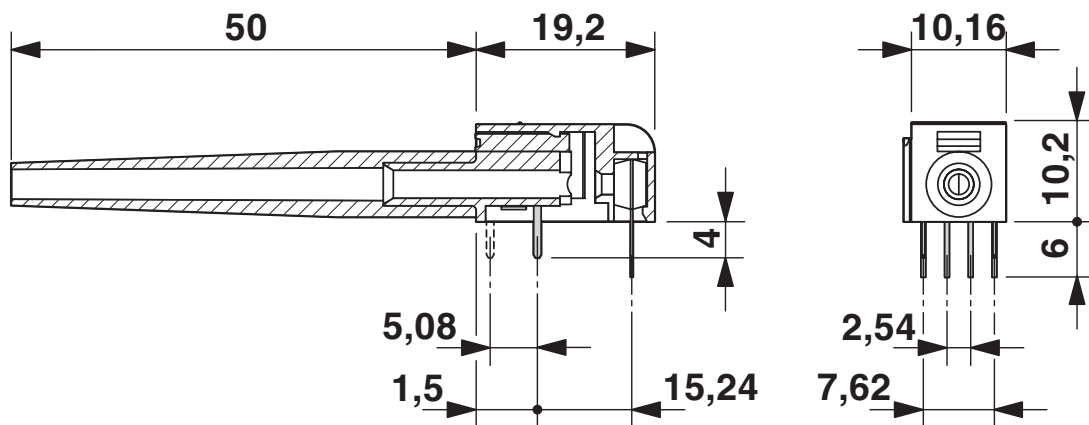
FOPT 2,2-R - FO PCB terminal block

1907924

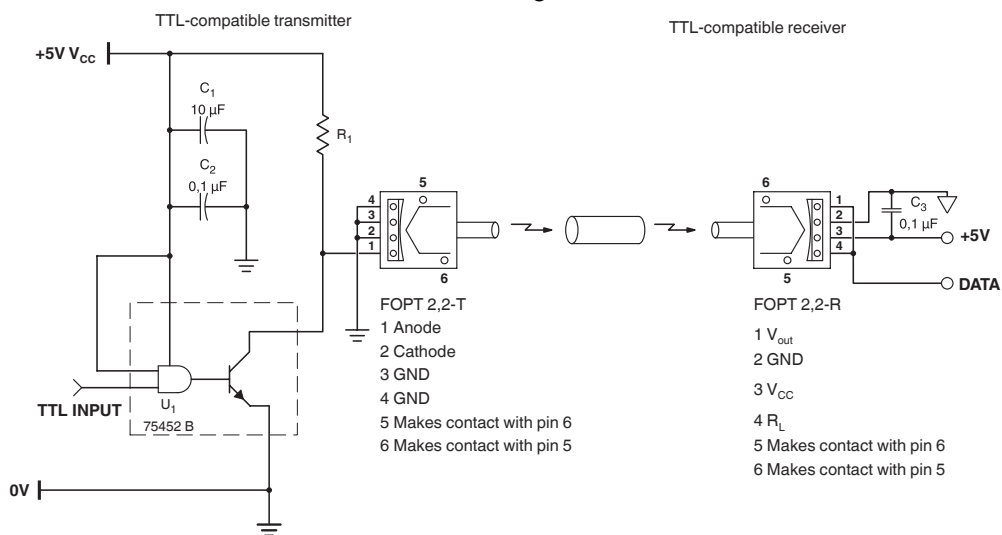
<https://www.phoenixcontact.com/us/products/1907924>

Drawings

Dimensional drawing



Circuit diagram



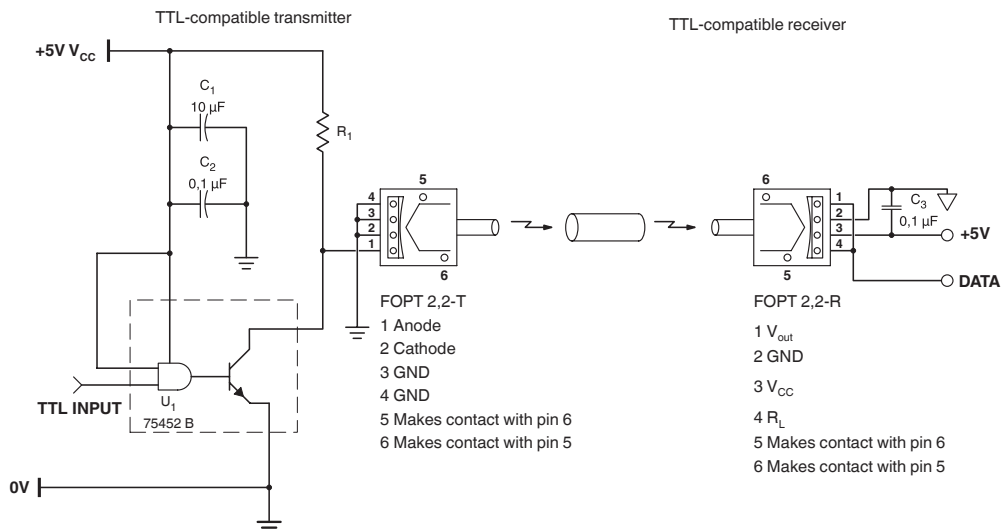
FOPT 2,2-R - FO PCB terminal block



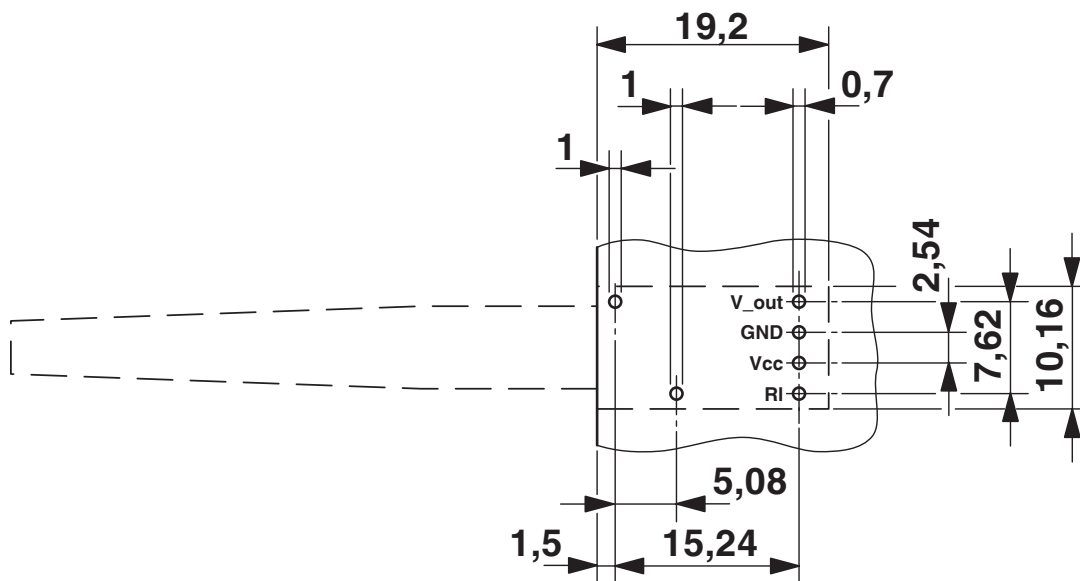
1907924

<https://www.phoenixcontact.com/us/products/1907924>

Circuit diagram



Drilling plan/solder pad geometry

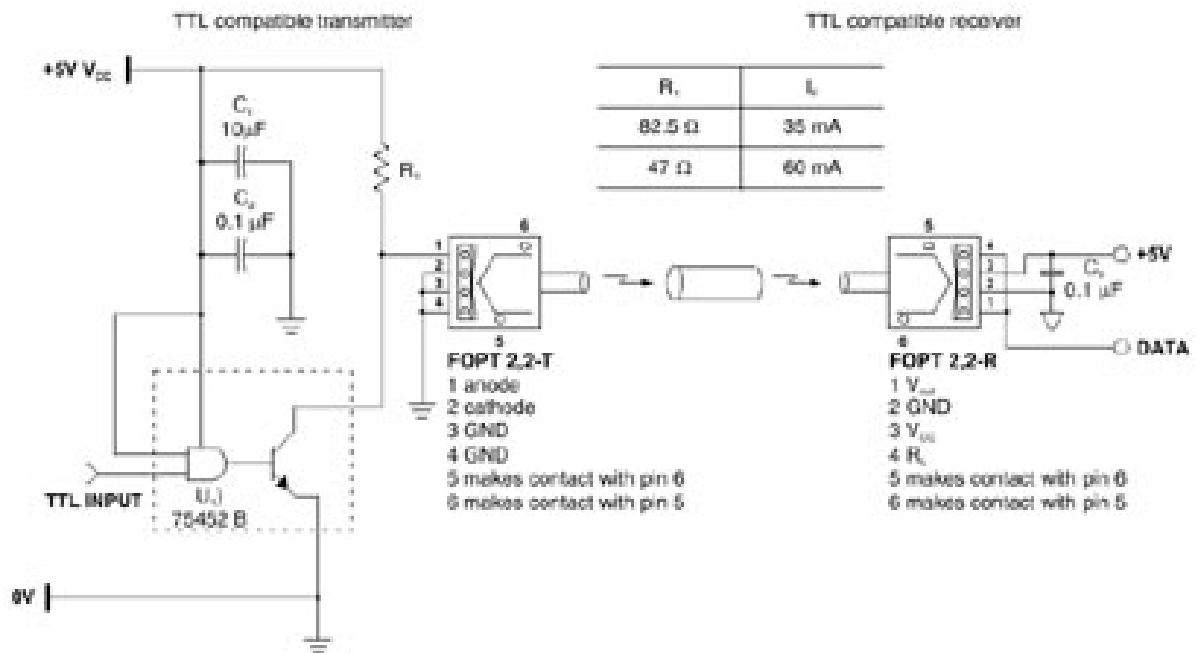


FOPT 2,2-R - FO PCB terminal block

1907924

<https://www.phoenixcontact.com/us/products/1907924>

Block diagram



FOPT 2,2-R - FO PCB terminal block



1907924

<https://www.phoenixcontact.com/us/products/1907924>

Classifications

ECLASS

ECLASS-13.0	27460101
ECLASS-15.0	27460101

ETIM

ETIM 10.0	EC002643
-----------	----------

UNSPSC

UNSPSC 21.0	39121400
-------------	----------

FOPT 2,2-R - FO PCB terminal block



1907924

<https://www.phoenixcontact.com/us/products/1907924>

Environmental product compliance

EU RoHS

Fulfills EU RoHS substance requirements	Yes, No exemptions
---	--------------------

China RoHS

Environment friendly use period (EFUP)	EFUP-E
	No hazardous substances above the limits

EU REACH SVHC

REACH candidate substance (CAS No.)	No substance above 0.1 wt%
-------------------------------------	----------------------------

Phoenix Contact 2026 © - all rights reserved
<https://www.phoenixcontact.com>

Phoenix Contact USA
586 Fulling Mill Road
Middletown, PA 17057, United States
(+717) 944-1300
info@phoenixcon.com