

CK1,6-ED-ST-POF - Pin contact



1884995

<https://www.phoenixcontact.com/us/products/1884995>

Please be informed that the data shown in this PDF document is generated from our online catalog. Please find the complete data in the user documentation. Our general terms of use for downloads are valid.



POF fiber optic pin contact, turned, for contact carriers (HC-DD...I-CT.../ HC-M-12-CT-.../ HC-M-17-CT-...) of CK1,6-ED... contacts

Commercial data

Item number	1884995
Packing unit	50 pc
Minimum order quantity	50 pc
Sales key	BF65
Product key	AF7AIC
GTIN	4017918172770
Weight per piece (including packing)	0.724 g
Weight per piece (excluding packing)	0.7 g
Customs tariff number	85389099
Country of origin	DE

CK1,6-ED-ST-POF - Pin contact



1884995

<https://www.phoenixcontact.com/us/products/1884995>

Technical data

Product properties

Product type	Fiber optics contact
Contact material type	turned

Connection data

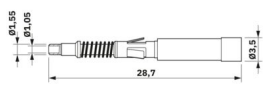
Connection technology

Contact connection type	Pin
Connection method	Crimp connection

Conductor connection

Stripping length	19 mm (after polishing)
------------------	-------------------------

Dimensions

Dimensional drawing	
Diameter (Contact diameter)	1.6 mm

Material specifications

Material Contact	Nickel silver
------------------	---------------

Mechanical properties

Mechanical data

Insertion/withdrawal cycles	≥ 500
-----------------------------	-------

Environmental and real-life conditions

Ambient conditions

Ambient temperature (operation)	-40 °C ... 125 °C
---------------------------------	-------------------

CK1,6-ED-ST-POF - Pin contact

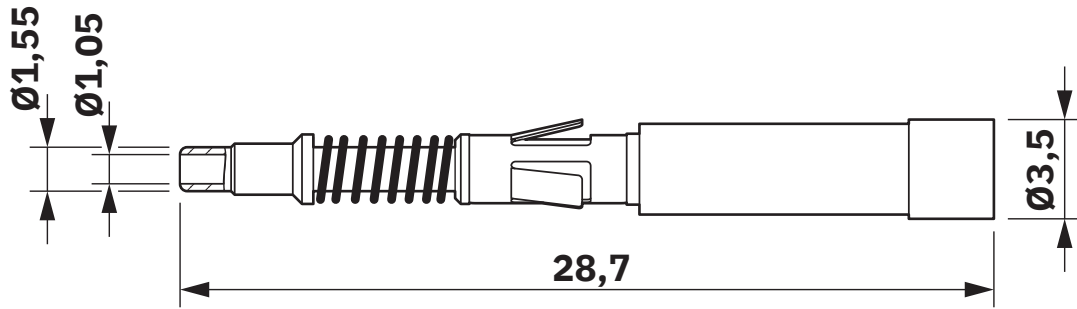
1884995

<https://www.phoenixcontact.com/us/products/1884995>



Drawings

Dimensional drawing



Dimensional drawing

CK1,6-ED-ST-POF - Pin contact

1884995

<https://www.phoenixcontact.com/us/products/1884995>



Approvals

To download certificates, visit the product detail page: <https://www.phoenixcontact.com/us/products/1884995>



EAC

Approval ID: RU C-DE.AI30.B.01102

CK1,6-ED-ST-POF - Pin contact



1884995

<https://www.phoenixcontact.com/us/products/1884995>

Classifications

ECLASS

ECLASS-13.0	27440204
ECLASS-15.0	27440204

ETIM

ETIM 10.0	EC000796
-----------	----------

UNSPSC

UNSPSC 21.0	39121500
-------------	----------

CK1,6-ED-ST-POF - Pin contact



1884995

<https://www.phoenixcontact.com/us/products/1884995>

Environmental product compliance

EU RoHS

Fulfills EU RoHS substance requirements	Yes, No exemptions
---	--------------------

China RoHS

Environment friendly use period (EFUP)	EFUP-50
	An article-related China RoHS declaration table can be found in the download area for the respective article under "Manufacturer declaration". For all articles with EFUP-E, no China RoHS declaration table issued and required.

EU REACH SVHC

REACH candidate substance (CAS No.)	No substance above 0.1 wt%
-------------------------------------	----------------------------

EF3.1 Climate Change

CO2e kg	0.591 kg CO2e
---------	---------------

Phoenix Contact 2026 © - all rights reserved
<https://www.phoenixcontact.com>

Phoenix Contact USA
586 Fulling Mill Road
Middletown, PA 17057, United States
(+717) 944-1300
info@phoenixcon.com