

VC-MP-A4 - Housing

1884432

<https://www.phoenixcontact.com/us/products/1884432>

Please be informed that the data shown in this PDF document is generated from our online catalog. Please find the complete data in the user documentation. Our general terms of use for downloads are valid.



Panel mounting base, made of metal, powder-coated type 4, number of modules 5, cable screw connection Pg21

Commercial data

Item number	1884432
Packing unit	1 pc
Note	Made to order (non-returnable)
Sales key	AB01
Product key	ABLADB
GTIN	4017918164461
Weight per piece (including packing)	569.79 g
Weight per piece (excluding packing)	569.79 g
Customs tariff number	85389099
Country of origin	PL

VC-MP-A4 - Housing

1884432

<https://www.phoenixcontact.com/us/products/1884432>

Technical data

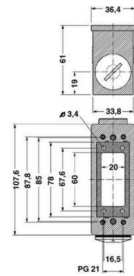
Notes

General	When using fiber optics, the bending radii of the cable manufacturers must be observed.
---------	-----------------------------------------------------------------------------------------

Product properties

Product type	Panel mounting base
Type	VC4
Number of module slots	5
Shielded	no

Dimensions

Dimensional drawing	
Width	36.4 mm
Height	61 mm
Length	107.6 mm

Material specifications

Color	gray
Color of the housing part	gray
Seal material	EPDM
Housing material	Die-cast zinc

Mechanical properties

Mechanical data

Locking type	Nut
--------------	-----

Environmental and real-life conditions

Ambient conditions

Degree of protection	IP65/IP66/IP67
Ambient temperature (operation)	-40 °C ... 125 °C

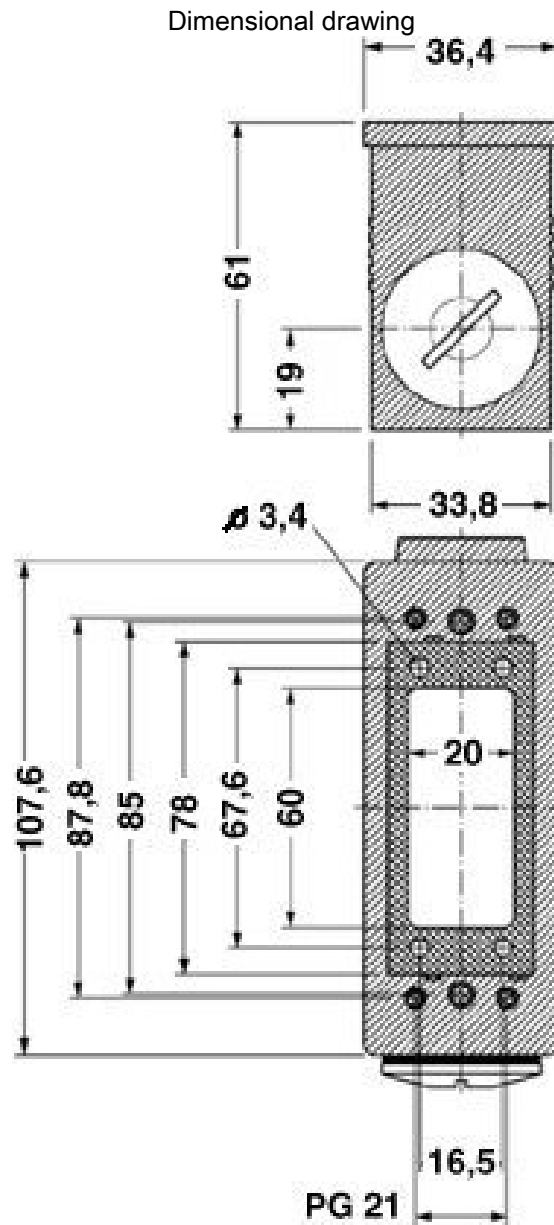
VC-MP-A4 - Housing

1884432

<https://www.phoenixcontact.com/us/products/1884432>



Drawings



Phoenix Contact 2026 © - all rights reserved
<https://www.phoenixcontact.com>

Phoenix Contact USA
586 Fulling Mill Road
Middletown, PA 17057, United States
(+717) 944-1300
info@phoenixcon.com