

# VC-MEMV-A3 - Housing

1884348

<https://www.phoenixcontact.com/us/products/1884348>

Please be informed that the data shown in this PDF document is generated from our online catalog. Please find the complete data in the user documentation. Our general terms of use for downloads are valid.



Panel mounting base, made of metal, EMC-coated type 3, number of modules 4, cable screw connection  
Pg21

## Commercial data

Item number	1884348
Packing unit	1 pc
Note	Made to order (non-returnable)
Sales key	NULL
Product key	ABLADB
GTIN	4017918164379
Weight per piece (including packing)	517.3 g
Weight per piece (excluding packing)	517.3 g
Customs tariff number	79070000
Country of origin	DE

# VC-MEMV-A3 - Housing

1884348

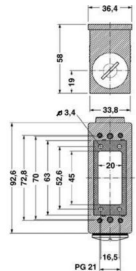
<https://www.phoenixcontact.com/us/products/1884348>

## Technical data

### Product properties

Product type	Panel mounting base
Type	VC3
Number of module slots	4
Shielded	yes

### Dimensions

Dimensional drawing	
Width	36.4 mm
Height	58 mm
Length	92.6 mm

### Material specifications

Color	nickel
Seal material	EPDM, conductive
Housing material	Die-cast zinc
Housing surface material	nickel-plated

### Mechanical properties

#### Mechanical data

Locking type	Nut
--------------	-----

### Environmental and real-life conditions

#### Ambient conditions

Degree of protection	IP65/IP66/IP67
Ambient temperature (operation)	-40 °C ... 125 °C

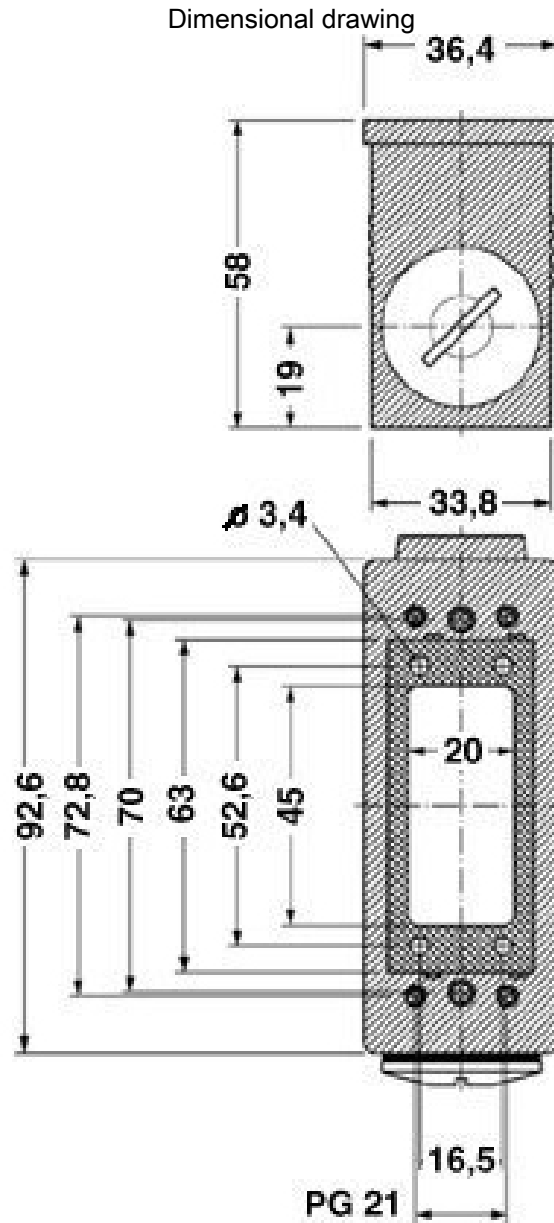
# VC-MEMV-A3 - Housing

1884348

<https://www.phoenixcontact.com/us/products/1884348>



## Drawings



# VC-MEMV-A3 - Housing

1884348

<https://www.phoenixcontact.com/us/products/1884348>



## Environmental product compliance

EU REACH SVHC

REACH candidate substance (CAS No.)	
-------------------------------------	--

	No substance above 0.1 wt%
--	----------------------------

Phoenix Contact 2026 © - all rights reserved

<https://www.phoenixcontact.com>

Phoenix Contact USA  
586 Fulling Mill Road  
Middletown, PA 17057, United States  
(+717) 944-1300  
[info@phoenixcon.com](mailto:info@phoenixcon.com)