

VC-MEMV-A1 - Housing

1884322

<https://www.phoenixcontact.com/us/products/1884322>

Please be informed that the data shown in this PDF document is generated from our online catalog. Please find the complete data in the user documentation. Our general terms of use for downloads are valid.



The figure shows version VC-MEMV-A3

Panel mounting base, made of metal, EMC-coated type 1, number of modules 2, cable screw connection Pg16

Commercial data

Item number	1884322
Packing unit	1 pc
Note	Made to order (non-returnable)
Sales key	NULL
Product key	ABLADB
GTIN	4017918164355
Weight per piece (including packing)	354 g
Weight per piece (excluding packing)	354 g
Customs tariff number	79070000
Country of origin	PL

VC-MEMV-A1 - Housing

1884322

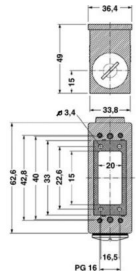
<https://www.phoenixcontact.com/us/products/1884322>

Technical data

Product properties

Product type	Panel mounting base
Type	VC1
Number of module slots	2
Shielded	yes

Dimensions

Dimensional drawing	
Width	36.4 mm
Height	49 mm
Length	62.6 mm

Material specifications

Color	nickel
Seal material	EPDM, conductive
Housing material	Die-cast zinc
Housing surface material	nickel-plated

Mechanical properties

Mechanical data

Locking type	Nut
--------------	-----

Environmental and real-life conditions

Ambient conditions

Degree of protection	IP65/IP66/IP67
Ambient temperature (operation)	-40 °C ... 125 °C

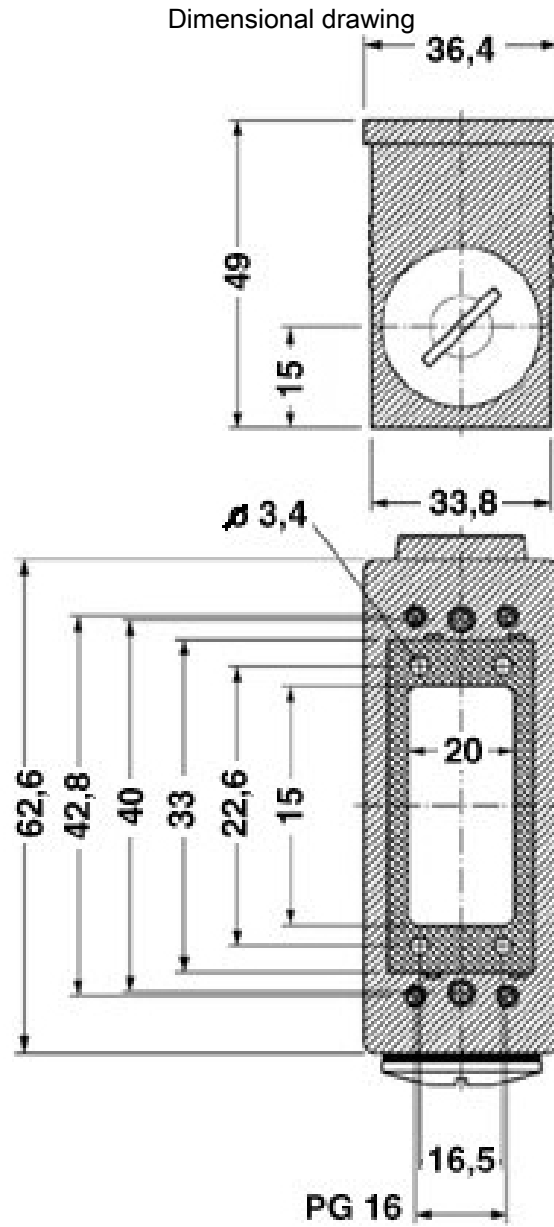
VC-MEMV-A1 - Housing

1884322

<https://www.phoenixcontact.com/us/products/1884322>



Drawings



VC-MEMV-A1 - Housing

1884322

<https://www.phoenixcontact.com/us/products/1884322>



Environmental product compliance

EU REACH SVHC

REACH candidate substance (CAS No.)	No substance above 0.1 wt%
-------------------------------------	----------------------------

Phoenix Contact 2026 © - all rights reserved

<https://www.phoenixcontact.com>

Phoenix Contact USA
586 Fulling Mill Road
Middletown, PA 17057, United States
(+717) 944-1300
info@phoenixcon.com