

CK1,6-BR-2,50BU AG - Crimp contact



1884199

<https://www.phoenixcontact.com/us/products/1884199>

Please be informed that the data shown in this PDF document is generated from our online catalog. Please find the complete data in the user documentation. Our general terms of use for downloads are valid.



Rolled female contact, taped, silver-plated, 1.5 mm² ... 2.5 mm² left contact lead-in, 2000 pieces per roll

Commercial data

Item number	1884199
Packing unit	1 pc
Note	Made to order (non-returnable)
Sales key	NULL
Product key	AF7AIB
GTIN	4017918163891
Weight per piece (including packing)	0.47 g
Weight per piece (excluding packing)	0.47 g
Customs tariff number	85389099
Country of origin	DE

CK1,6-BR-2,50BU AG - Crimp contact



1884199

<https://www.phoenixcontact.com/us/products/1884199>

Technical data

Product properties

Product type	Crimp contact
--------------	---------------

Electrical properties

Rated current	10 A (Take into account the derating of the contact insert used. The rated current corresponds to the maximum possible connection cross-section.)
---------------	---

Mechanical properties

Mechanical data

Insertion/withdrawal cycles	≥ 500
-----------------------------	-------

Environmental and real-life conditions

Ambient conditions

Ambient temperature (operation)	-40 °C ... 125 °C
---------------------------------	-------------------

CK1,6-BR-2,50BU AG - Crimp contact

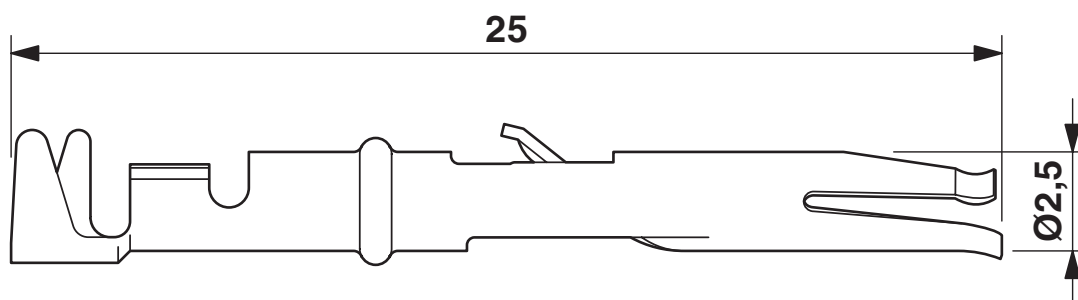


1884199

<https://www.phoenixcontact.com/us/products/1884199>

Drawings

Dimensional drawing



CK1,6-BR-2,50BU AG - Crimp contact



1884199

<https://www.phoenixcontact.com/us/products/1884199>

Classifications

ECLASS

ECLASS-13.0	27440204
ECLASS-15.0	27440204

CK1,6-BR-2,50BU AG - Crimp contact



1884199

<https://www.phoenixcontact.com/us/products/1884199>

Environmental product compliance

EU RoHS

Fulfills EU RoHS substance requirements	Yes, No exemptions
---	--------------------

China RoHS

Environment friendly use period (EFUP)	EFUP-E
	No hazardous substances above the limits

EU REACH SVHC

REACH candidate substance (CAS No.)	No substance above 0.1 wt%
-------------------------------------	----------------------------

Phoenix Contact 2026 © - all rights reserved

<https://www.phoenixcontact.com>

Phoenix Contact USA
586 Fulling Mill Road
Middletown, PA 17057, United States
(+717) 944-1300
info@phoenixcon.com