

MSTBC-MT 0,2-0,5 BAND - Crimp contact



1879544

<https://www.phoenixcontact.com/us/products/1879544>

Please be informed that the data shown in this PDF document is generated from our online catalog. Please find the complete data in the user documentation. Our general terms of use for downloads are valid.



Module socket contact, is inserted into the plug housing MSTBC after crimping the conductor, for conductors from 0.2 to 0.5 mm²

Supplied in tape form - please note the drawing.

Commercial data

Item number	1879544
Packing unit	4,000 pc
Minimum order quantity	4,000 pc
Sales key	AA03
Product key	AACCEG
GTIN	4017918269074
Weight per piece (including packing)	0.65 g
Weight per piece (excluding packing)	0.6 g
Customs tariff number	85366990
Country of origin	CN

MSTBC-MT 0,2-0,5 BAND - Crimp contact



1879544

<https://www.phoenixcontact.com/us/products/1879544>

Technical data

Product properties

Product type	Crimp contact
Product family	MSTBC-MT
Pitch	0 mm

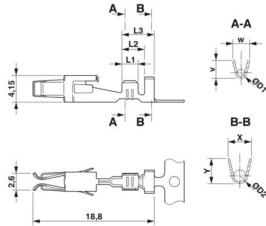
Connection data

Connection method	Crimp connection
Contact connection type	Socket
Stripping length	4 mm ... 4.1 mm
Conductor cross-section flexible	0.2 mm ² ... 0.5 mm ²
Conductor cross-section AWG	24 ... 20
Wire diameter including insulation	1.15 mm ... 2.3 mm

Material specifications

Contact surface	Tin Sn
Contact surface material	Tin
Metal surface contact area (top layer)	Tin Sn)

Dimensions

Dimensional drawing	
Pitch	-

Electrical properties

Nominal current I_N	6 A
-----------------------	-----

Packaging specifications

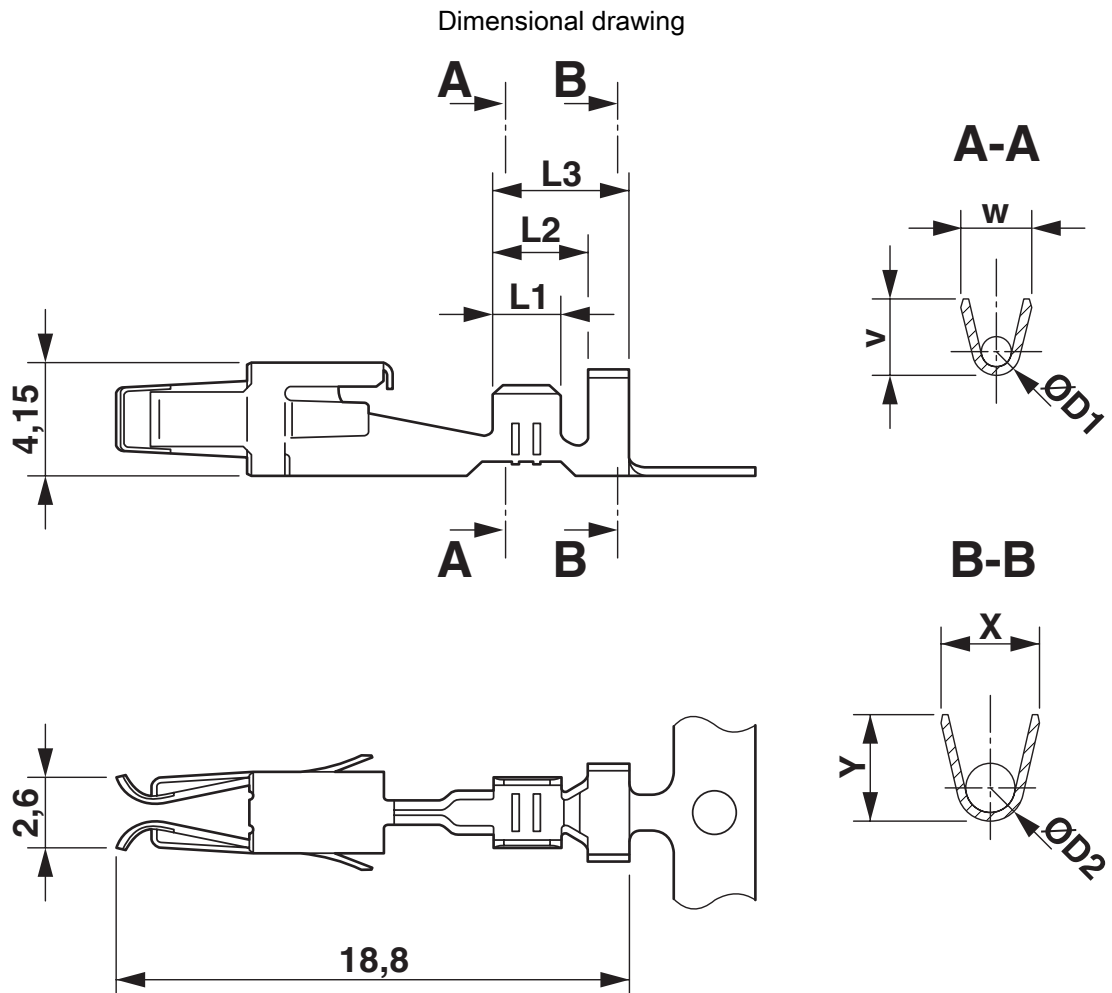
Type of packaging	Belt
-------------------	------

MSTBC-MT 0,2-0,5 BAND - Crimp contact

1879544

<https://www.phoenixcontact.com/us/products/1879544>

Drawings



MSTBC-MT 0,2-0,5 BAND - Crimp contact



1879544

<https://www.phoenixcontact.com/us/products/1879544>

Classifications

ECLASS

ECLASS-13.0	27460403
ECLASS-15.0	27460403

ETIM

ETIM 10.0	EC000796
-----------	----------

UNSPSC

UNSPSC 21.0	39121500
-------------	----------

MSTBC-MT 0,2-0,5 BAND - Crimp contact



1879544

<https://www.phoenixcontact.com/us/products/1879544>

Environmental product compliance

EU RoHS

Fulfills EU RoHS substance requirements	Yes, No exemptions
---	--------------------

China RoHS

Environment friendly use period (EFUP)	EFUP-E
	No hazardous substances above the limits

EU REACH SVHC

REACH candidate substance (CAS No.)	No substance above 0.1 wt%
-------------------------------------	----------------------------

EF3.1 Climate Change

CO2e kg	0.034 kg CO2e
---------	---------------

Phoenix Contact 2026 © - all rights reserved
<https://www.phoenixcontact.com>

Phoenix Contact USA
586 Fulling Mill Road
Middletown, PA 17057, United States
(+717) 944-1300
info@phoenixcon.com