

UKK 3-MSTB-5,08-PE - Double-level terminal block



1876615

<https://www.phoenixcontact.com/us/products/1876615>

Please be informed that the data shown in this PDF document is generated from our online catalog. Please find the complete data in the user documentation. Our general terms of use for downloads are valid.



Double-level terminal block, number of connections: 4, number of positions: 1, connection method: Screw/plug-in connection, cross section: 0.2 mm² - 4 mm², mounting type: NS 35/7,5, NS 35/15, NS 32, color: green-yellow

Commercial data

Item number	1876615
Packing unit	50 pc
Minimum order quantity	50 pc
Sales key	BE12
Product key	BE1241
GTIN	4017918134082
Weight per piece (including packing)	11.5 g
Weight per piece (excluding packing)	11.5 g
Customs tariff number	85369010
Country of origin	PL

UKK 3-MSTB-5,08-PE - Double-level terminal block



1876615

<https://www.phoenixcontact.com/us/products/1876615>

Technical data

Product properties

Product type	Ground terminal block
Product family	UKK 3-MSTB
Number of positions	1
Pitch	5.08 mm
Number of connections	4
Number of rows	2

Insulation characteristics

Overvoltage category	III
Degree of pollution	3

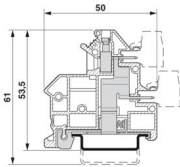
Electrical properties

Rated surge voltage	4 kV
Maximum power dissipation for nominal condition	0 W

Connection data

Grounding foot	Yes
Nominal cross section	2.5 mm ²
Connection method	Screw/plug-in connection
Screw thread	M3
Note	Please observe the current carrying capacity of the DIN rails.
Tightening torque	0.5 ... 0.6 Nm
Stripping length	8 mm
Internal cylindrical gage	A3
Conductor cross-section rigid	0.2 mm ² ... 4 mm ²
Cross section AWG	24 ... 12 (converted acc. to IEC)
Conductor cross-section flexible	0.2 mm ² ... 2.5 mm ²
Conductor cross-section, flexible [AWG]	24 ... 14 (converted acc. to IEC)
Conductor cross-section flexible (ferrule without plastic sleeve)	0.25 mm ² ... 2.5 mm ²
Flexible conductor cross-section (ferrule with plastic sleeve)	0.25 mm ² ... 1.5 mm ²

Dimensions

Dimensional drawing	
Width	5.08 mm
End cover width	2.5 mm
Height	50 mm

UKK 3-MSTB-5,08-PE - Double-level terminal block



1876615

<https://www.phoenixcontact.com/us/products/1876615>

Depth on NS 35/7,5	53.5 mm
Pitch	5.08 mm

Material specifications

Color	green-yellow
Flammability rating according to UL 94	V2
Insulating material group	I
Insulating material	PA
Contact surface	Tin Sn
Static insulating material application in cold	-60 °C
Relative insulation material temperature index (Elec., UL 746 B)	130 °C
Fire protection for rail vehicles (DIN EN 45545-2) R22	HL 1 - HL 3
Fire protection for rail vehicles (DIN EN 45545-2) R23	HL 1 - HL 3
Fire protection for rail vehicles (DIN EN 45545-2) R24	HL 1 - HL 3
Fire protection for rail vehicles (DIN EN 45545-2) R26	HL 1 - HL 3
Surface flammability NFPA 130 (ASTM E 162)	passed
Specific optical density of smoke NFPA 130 (ASTM E 662)	passed
Smoke gas toxicity NFPA 130 (SMP 800C)	passed

Mechanical properties

Mechanical data

Open side panel	Yes
-----------------	-----

Environmental and real-life conditions

Service life

Insertion/withdrawal cycles	100
-----------------------------	-----

Oscillation/broadband noise

Specification	DIN EN 50155 (VDE 0115-200):2022-06
Spectrum	Long life test category 1, class B, body mounted
Frequency	$f_1 = 5 \text{ Hz}$ to $f_2 = 150 \text{ Hz}$
ASD level	$0.964 \text{ (m/s}^2\text{)}^2\text{/Hz}$
Acceleration	0.58g
Test duration per axis	5 h
Test directions	X-, Y- and Z-axis
Result	Test passed

Shocks

Specification	DIN EN 50155 (VDE 0115-200):2018-05
Pulse shape	Half-sine
Acceleration	5g
Shock duration	30 ms
Number of shocks per direction	3
Test directions	X-, Y- and Z-axis (pos. and neg.)

UKK 3-MSTB-5,08-PE - Double-level terminal block



1876615

<https://www.phoenixcontact.com/us/products/1876615>

Result	Test passed
--------	-------------

Ambient conditions

Ambient temperature (operation)	-60 °C ... 100 °C (max. operating temperature range including self-heating, see derating curve)
Ambient temperature (storage/transport)	-25 °C ... 60 °C (for a short time, not exceeding 24 h, -60 °C to +70 °C)
Ambient temperature (assembly)	-5 °C ... 70 °C
Ambient temperature (actuation)	-5 °C ... 70 °C
Permissible humidity (operation)	20 % ... 90 %
Permissible humidity (storage/transport)	30 % ... 70 %

Mounting

Mounting type	NS 35/7,5
	NS 35/15
	NS 32

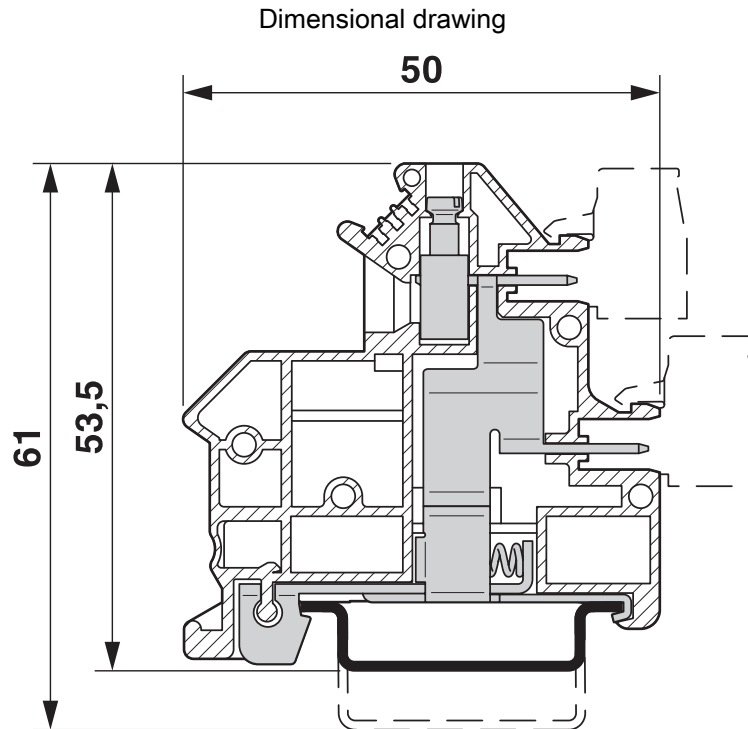
UKK 3-MSTB-5,08-PE - Double-level terminal block

1876615

<https://www.phoenixcontact.com/us/products/1876615>



Drawings



UKK 3-MSTB-5,08-PE - Double-level terminal block



1876615

<https://www.phoenixcontact.com/us/products/1876615>

Approvals

To download certificates, visit the product detail page: <https://www.phoenixcontact.com/us/products/1876615>



EAC

Approval ID: KZ7500651131219505



cULus Recognized

Approval ID: E60425

	Nominal voltage U_N	Nominal current I_N	Cross section AWG	Cross section mm^2
B	-	-	30 - 12	-
F	-	-	30 - 12	-
D	-	-	30 - 12	-

UKK 3-MSTB-5,08-PE - Double-level terminal block



1876615

<https://www.phoenixcontact.com/us/products/1876615>

Classifications

ECLASS

ECLASS-13.0	27250103
ECLASS-15.0	27250103

ETIM

ETIM 10.0	EC000901
-----------	----------

UNSPSC

UNSPSC 21.0	39121400
-------------	----------

1876615

<https://www.phoenixcontact.com/us/products/1876615>

Environmental product compliance

EU RoHS

Fulfills EU RoHS substance requirements	Yes
Exemption	6(c)

China RoHS

Environment friendly use period (EFUP)	EFUP-50
	An article-related China RoHS declaration table can be found in the download area for the respective article under "Manufacturer declaration". For all articles with EFUP-E, no China RoHS declaration table issued and required.

EU REACH SVHC

REACH candidate substance (CAS No.)	Lead(CAS: 7439-92-1)
SCIP	d521b014-7f19-4458-8b12-62eeee1b7955

Phoenix Contact 2026 © - all rights reserved

<https://www.phoenixcontact.com>

Phoenix Contact USA
586 Fulling Mill Road
Middletown, PA 17057, United States
(+717) 944-1300
info@phoenixcon.com