

PTS-5,08 - PCB terminal block

1876521

<https://www.phoenixcontact.com/us/products/1876521>

Please be informed that the data shown in this PDF document is generated from our online catalog. Please find the complete data in the user documentation. Our general terms of use for downloads are valid.



PCB terminal block, nominal current: 12 A, rated voltage (III/2): 320 V, nominal cross section: 0 mm², number of potentials: 1, number of rows: 1, number of positions per row: 1, product range: PTS, pitch: 5.08 mm, mounting: Wave soldering, color: green, Pin layout: Linear pinning, Solder pin [P]: 3.5 mm, number of solder pins per potential: 2, type of packaging: packed in cardboard. The article can be aligned to create different nos. of positions!

Your advantages

- Color-coded isolating plugs for easy circuit disconnection
- Quick and convenient testing using integrated test option
- Well-known mounting principle allows worldwide use
- The latching on the side enables various numbers of positions to be combined

Commercial data

Item number	1876521
Packing unit	50 pc
Minimum order quantity	50 pc
Sales key	AA13
Product key	AAMQAA
GTIN	4017918143664
Weight per piece (including packing)	3.04 g
Weight per piece (excluding packing)	2.935 g
Customs tariff number	85369010
Country of origin	PL

PTS-5,08 - PCB terminal block



1876521

<https://www.phoenixcontact.com/us/products/1876521>

Technical data

Product properties

Product type	PCB terminal block
Product family	PTS
Product line	COMBICON Terminals M
Type	Printed circuit disconnect plugs can be aligned
Number of positions	1
Pitch	5.08 mm
Number of connections	1
Number of rows	1
Number of potentials	1
Pin layout	Linear pinning
Solder pins per potential	2

Electrical properties

Properties

Nominal current I_N	12 A
Nominal voltage U_N	320 V
Rated voltage (III/3)	250 V
Rated surge voltage (III/3)	4 kV
Rated voltage (III/2)	320 V
Rated surge voltage (III/2)	4 kV
Rated voltage (II/2)	400 V
Rated surge voltage (II/2)	4 kV

Mounting

Mounting type	Wave soldering
Pin layout	Linear pinning

Material specifications

Material data - contact

Note	WEEE/RoHS-compliant, free of whiskers according to IEC 60068-2-82/JEDEC JESD 201
Contact material	Cu alloy
Metal surface terminal point (top layer)	Tin (5 μ m - 7 μ m Sn)
Metal surface soldering area (top layer)	Tin (5 μ m - 7 μ m Sn)

Material data - housing

Color (Housing)	green (6021)
Insulating material	PA
Insulating material group	I
CTI according to IEC 60112	600

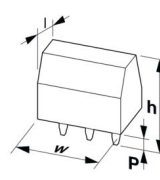
PTS-5,08 - PCB terminal block

1876521

<https://www.phoenixcontact.com/us/products/1876521>

Flammability rating according to UL 94	V0
Glow wire flammability index GWFI according to EN 60695-2-12	850
Glow wire ignition temperature GWIT according to EN 60695-2-13	775
Temperature for the ball pressure test according to EN 60695-10-2	125 °C

Dimensions

Dimensional drawing	
Pitch	5.08 mm
Height [h]	31.4 mm
Installed height	34.9 mm
Solder pin length [P]	3.5 mm
Pin dimensions	0.8 x 0.9 mm

PCB design

Hole diameter	1.3 mm
---------------	--------

Electrical tests

Air clearances and creepage distances |

Insulating material group	I
Rated insulation voltage (III/3)	250 V
Rated surge voltage (III/3)	4 kV
Rated insulation voltage (III/2)	320 V
Rated surge voltage (III/2)	4 kV
Rated insulation voltage (II/2)	400 V
Rated surge voltage (II/2)	4 kV

Environmental and real-life conditions

Ambient conditions

Relative humidity (storage/transport)	30 % ... 70 %
---------------------------------------	---------------

Packaging specifications

Type of packaging	packed in cardboard
-------------------	---------------------

PTS-5,08 - PCB terminal block

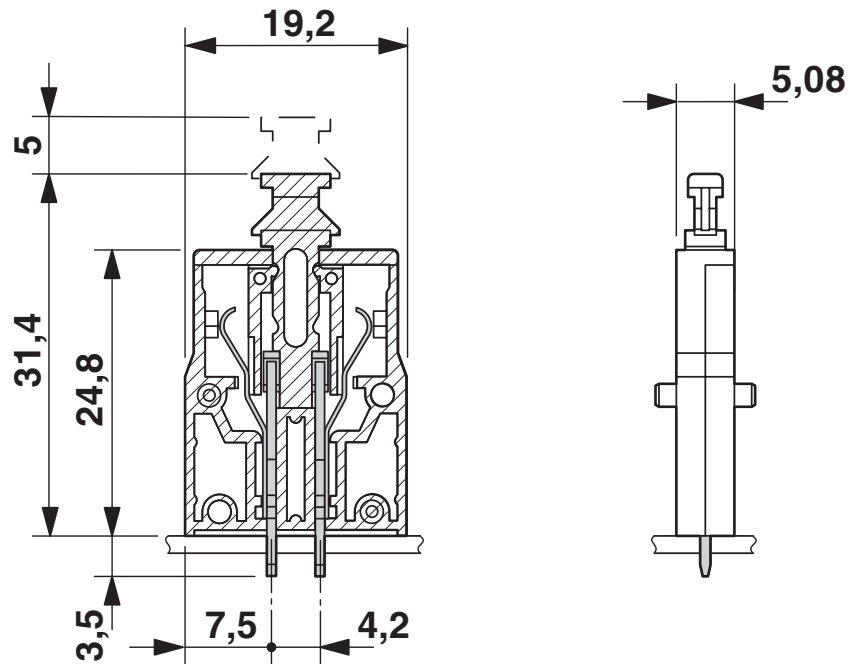
1876521

<https://www.phoenixcontact.com/us/products/1876521>

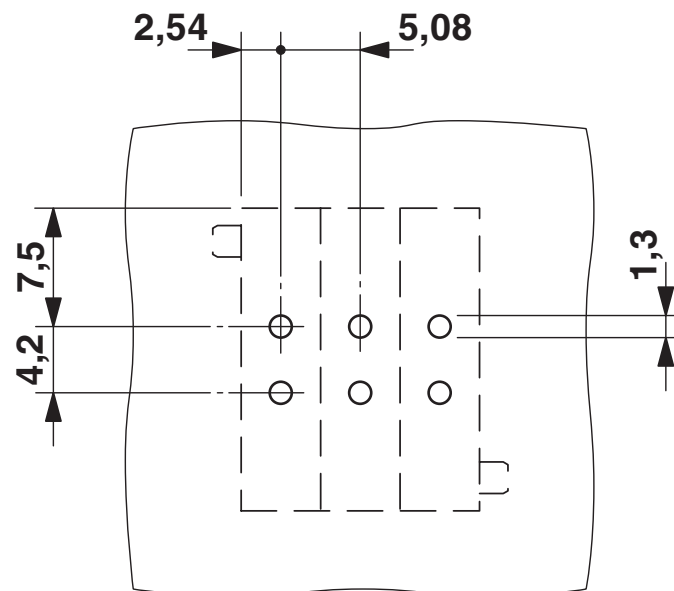


Drawings

Dimensional drawing



Drilling plan/solder pad geometry



PTS-5,08 - PCB terminal block



1876521

<https://www.phoenixcontact.com/us/products/1876521>

Classifications

ECLASS

ECLASS-13.0	27460101
ECLASS-15.0	27460101

ETIM

ETIM 10.0	EC002643
-----------	----------

UNSPSC

UNSPSC 21.0	39121400
-------------	----------

PTS-5,08 - PCB terminal block



1876521

<https://www.phoenixcontact.com/us/products/1876521>

Environmental product compliance

EU RoHS

Fulfills EU RoHS substance requirements	Yes, No exemptions
---	--------------------

China RoHS

Environment friendly use period (EFUP)	EFUP-E
	No hazardous substances above the limits

EU REACH SVHC

REACH candidate substance (CAS No.)	No substance above 0.1 wt%
-------------------------------------	----------------------------

EF3.1 Climate Change

CO2e kg	0.022 kg CO2e
---------	---------------

Phoenix Contact 2026 © - all rights reserved
<https://www.phoenixcontact.com>

Phoenix Contact USA
586 Fulling Mill Road
Middletown, PA 17057, United States
(+717) 944-1300
info@phoenixcon.com