

# MKDSP 50/ 4-17,5-F - PCB terminal block



1856197

<https://www.phoenixcontact.com/us/products/1856197>

Please be informed that the data shown in this PDF document is generated from our online catalog. Please find the complete data in the user documentation. Our general terms of use for downloads are valid.



Printed circuit board terminal, nominal current: 192 A, rated voltage (III/2): 1000 V, nominal cross section: 70 mm<sup>2</sup>, number of potentials: 4, number of rows: 1, number of positions per row: 4, product range: MKDSP 50/...-F, pitch: 17.5 mm, connection method: Screw connection with tension sleeve, screw head form: T30 Torx®, mounting: Wave soldering, conductor/PCB connection direction: 0 °, color: green, Pin layout: Linear pinning, Solder pin [P]: 4 mm, number of solder pins per potential: 4, type of packaging: packed in cardboard

## Your advantages

- Well-known connection principle allows worldwide use
- Low temperature rise, thanks to maximum contact force
- Allows connection of two conductors
- Quick and convenient testing using integrated test option
- Mounting flanges reduce the mechanical strain on the soldering spots
- Integrated protective guide prevents incorrect insertion of the conductor underneath the tension sleeve

## Commercial data

Item number	1856197
Packing unit	10 pc
Minimum order quantity	10 pc
Note	Made to order (non-returnable)
Sales key	AA16
Product key	AAPIAB
GTIN	4055626029030
Weight per piece (including packing)	164.4 g
Weight per piece (excluding packing)	164.4 g
Customs tariff number	85369010
Country of origin	CN

# MKDSP 50/ 4-17,5-F - PCB terminal block



1856197

<https://www.phoenixcontact.com/us/products/1856197>

## Technical data

### Product properties

Product type	Printed circuit board terminal
Product family	MKDSP 50/...-F
Product line	COMBICON Terminals XXL
Type	Standard
Number of positions	4
Pitch	17.5 mm
Number of connections	4
Number of rows	1
Number of potentials	4
Pin layout	Linear pinning
Solder pins per potential	4

### Electrical properties

#### Properties

Nominal current $I_N$	192 A
Nominal voltage $U_N$	1000 V
Rated voltage (III/3)	1000 V
Rated surge voltage (III/3)	8 kV
Rated voltage (III/2)	1000 V
Rated surge voltage (III/2)	8 kV
Rated voltage (II/2)	1000 V
Rated surge voltage (II/2)	6 kV

### Connection data

#### Connection technology

Type	Standard
Nominal cross section	70 mm <sup>2</sup>

#### Conductor connection

Connection method	Screw connection with tension sleeve
Conductor cross-section rigid	1.5 mm <sup>2</sup> ... 70 mm <sup>2</sup>
Single-conductor/terminal point multi-stranded	1.5 mm <sup>2</sup> ... 70 mm <sup>2</sup>
Conductor cross-section flexible	1.5 mm <sup>2</sup> ... 70 mm <sup>2</sup>
Conductor cross-section AWG	16 ... 2/0
Conductor cross-section, flexible, with ferrule, without plastic sleeve	1.5 mm <sup>2</sup> ... 50 mm <sup>2</sup>
Conductor cross-section, flexible, with ferrule, with plastic sleeve	1.5 mm <sup>2</sup> ... 50 mm <sup>2</sup>
2 conductors with same cross section, rigid	1.5 mm <sup>2</sup> ... 16 mm <sup>2</sup>
2 conductors with the same cross section, stranded	1.5 mm <sup>2</sup> ... 25 mm <sup>2</sup>
2 conductors with same cross section, flexible	1.5 mm <sup>2</sup> ... 25 mm <sup>2</sup>

# MKDSP 50/ 4-17,5-F - PCB terminal block



1856197

<https://www.phoenixcontact.com/us/products/1856197>

2 conductors with the same cross section, flexible, with TWIN ferrule with plastic sleeve	1.5 mm <sup>2</sup> ... 16 mm <sup>2</sup>
Stripping length	20 mm
Drive form screw head	Torx® (T30)
Tightening torque	5.5 Nm

## Information on the aluminum conductor

Cross section / torque / form of conductor	Cable cross section:50 mm <sup>2</sup> ; Torque:5.5 Nm; Form of cable:sector-shaped, single-strand, class 1, $\alpha = 90^\circ$ (se)
Specification	DIN VDE 0276-603 (VDE 0276-603):2010-03
Note on conductor pretreatment	The following measures are required for durable and reliable contacting of the aluminum conductor: the stripped end of the aluminum conductor must be separated from the oxide layer using a blade, and immediately dipped in non-acid and non-alkali Vaseline. The pretreatment must be repeated when connecting the conductors anew.

## Mounting

Mounting type	Wave soldering
Pin layout	Linear pinning

## Material specifications

### Material data - contact

Note	WEEE/RoHS-compliant, free of whiskers according to IEC 60068-2-82/JEDEC JESD 201
Contact material	Cu alloy
Surface characteristics	Tin-plated
Metal surface terminal point (top layer)	Tin (4 $\mu$ m - 8 $\mu$ m Sn)
Metal surface soldering area (top layer)	Tin (4 $\mu$ m - 8 $\mu$ m Sn)

### Material data - housing

Color (Housing)	green (6021)
Insulating material	PA
Insulating material group	I
CTI according to IEC 60112	600
Flammability rating according to UL 94	V0
Glow wire flammability index GWFI according to EN 60695-2-12	850
Glow wire ignition temperature GWIT according to EN 60695-2-13	775
Temperature for the ball pressure test according to EN 60695-10-2	125 °C

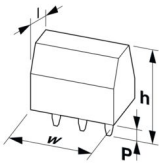
## Dimensions

# MKDSP 50/ 4-17,5-F - PCB terminal block



1856197

<https://www.phoenixcontact.com/us/products/1856197>

Dimensional drawing	
Pitch	17.5 mm
Width [w]	97.7 mm
Height [h]	59 mm
Length [l]	32 mm
Installed height	55 mm
Solder pin length [P]	4 mm
Pin dimensions	1.4 x 1.4 mm

## PCB design

Hole diameter	2.4 mm
---------------	--------

## Mechanical tests

### Test for conductor damage and slackening

Specification	IEC 60999-1:1999-11
Result	Test passed

### Pull-out test

Specification	IEC 60999-1:1999-11
Conductor cross-section/conductor type/tractive force setpoint/actual value	1.5 mm <sup>2</sup> / solid / > 40 N
	1.5 mm <sup>2</sup> / flexible / > 40 N
	70 mm <sup>2</sup> / stranded / > 285 N
	70 mm <sup>2</sup> / flexible / > 285 N
	50 mm <sup>2</sup> / flexible with ferrule / > 236 N
	1.5 mm <sup>2</sup> / flexible with ferrule / > 40 N

## Electrical tests

### Temperature-rise test

Specification	IEC 60947-7-4:2013-08
Requirement temperature-rise test	The sum of ambient temperature and temperature rise of the PCB terminal block shall not exceed the upper limiting temperature.

### Short-time withstand current

Specification	IEC 60947-7-4:2013-08
---------------	-----------------------

### Insulation resistance

Specification	IEC 60512-3-1:2002-02
Insulation resistance, neighboring positions	> 5 MΩ

### Air clearances and creepage distances |

# MKDSP 50/ 4-17,5-F - PCB terminal block



1856197

<https://www.phoenixcontact.com/us/products/1856197>

Specification	IEC 60947-1:2007-06 + A1:2010-12
Insulating material group	I
Comparative tracking index (IEC 60112)	CTI 600
Rated insulation voltage (III/3)	1000 V
Rated surge voltage (III/3)	8 kV
minimum clearance value - non-homogenous field (III/3)	8 mm
minimum creepage distance (III/3)	12.5 mm
Rated insulation voltage (III/2)	1000 V
Rated surge voltage (III/2)	8 kV
minimum clearance value - non-homogenous field (III/2)	8 mm
minimum creepage distance (III/2)	8 mm
Rated insulation voltage (II/2)	1000 V
Rated surge voltage (II/2)	6 kV
minimum clearance value - non-homogenous field (II/2)	5.5 mm
minimum creepage distance (II/2)	5.5 mm

## Environmental and real-life conditions

### Vibration test

Specification	IEC 60068-2-6:2007-12
Frequency	10 - 150 - 10 Hz
Sweep speed	1 octave/min
Amplitude	0.35 mm (10 Hz ... 60.1 Hz)
Acceleration	5g (60.1 Hz ... 150 Hz)
Test duration per axis	2.5 h
Test directions	X-, Y- and Z-axis

### Glow-wire test

Specification	IEC 60695-2-10:2000-10
Temperature	850 °C
Time of exposure	5 s

### Aging

Specification	IEC 60947-7-4:2013-08
---------------	-----------------------

### Ambient conditions

Ambient temperature (storage/transport)	-40 °C ... 70 °C
Relative humidity (storage/transport)	30 % ... 70 %
Ambient temperature (assembly)	-5 °C ... 100 °C
Ambient temperature (operation)	-40 °C ... 100 °C (Depending on the current carrying capacity/derating curve)

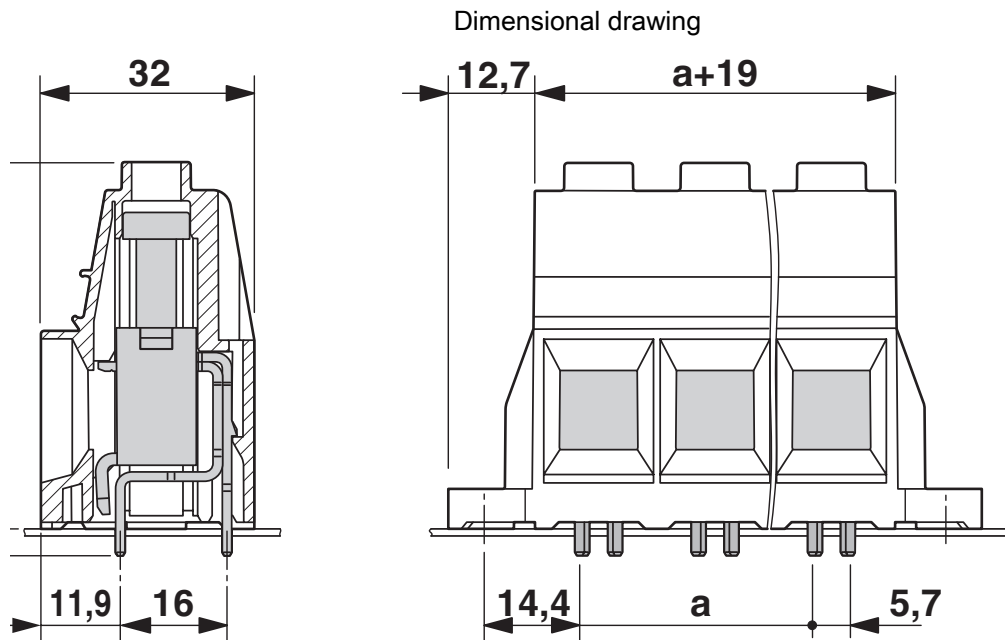
## Packaging specifications

Type of packaging	packed in cardboard
Outer packaging type	Carton

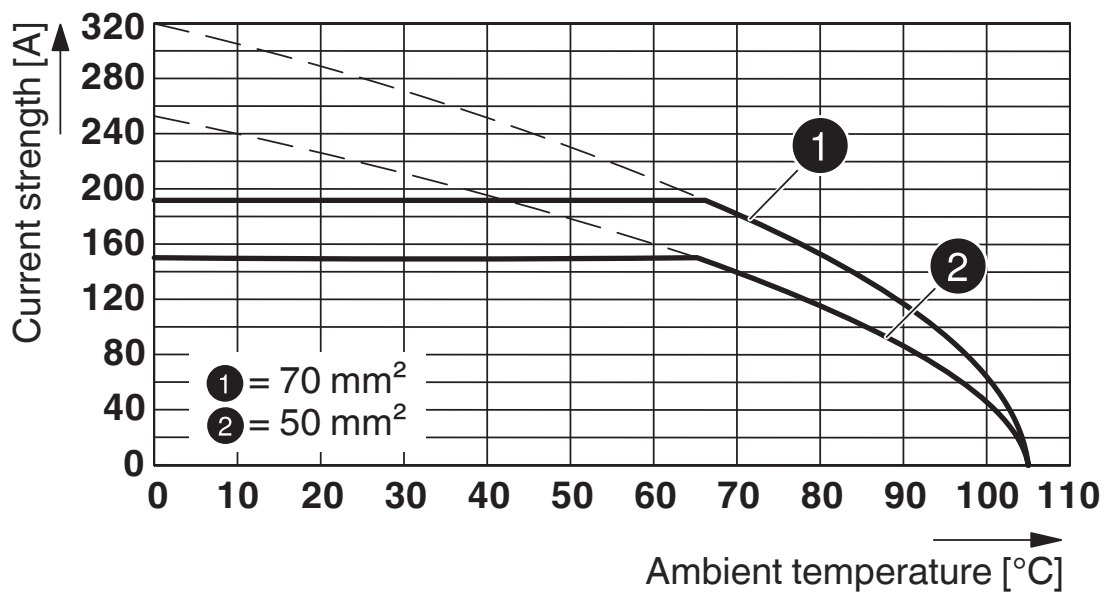
1856197

<https://www.phoenixcontact.com/us/products/1856197>

## Drawings



Diagram



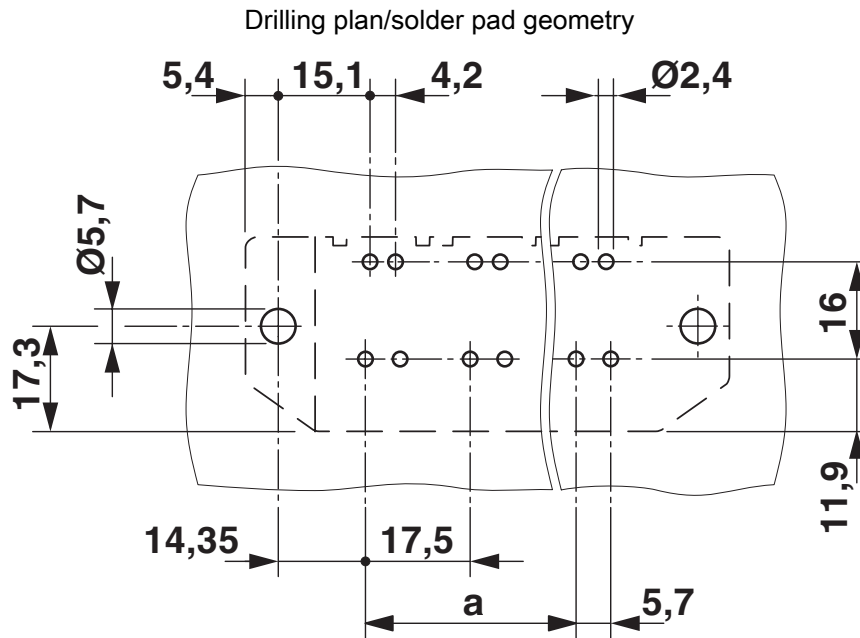
Type: MKDSP 50/...-17,5(F)-(FL)

# MKDSP 50/ 4-17,5-F - PCB terminal block



1856197

<https://www.phoenixcontact.com/us/products/1856197>



# MKDSP 50/ 4-17,5-F - PCB terminal block





1856197

<https://www.phoenixcontact.com/us/products/1856197>

## Approvals

To download certificates, visit the product detail page: <https://www.phoenixcontact.com/us/products/1856197>

 <b>cULus Recognized</b> Approval ID: E60425-19770427				
	Nominal voltage $U_N$	Nominal current $I_N$	Cross section AWG	Cross section $\text{mm}^2$
B	600 V	160 A	16 - 2/0	-
C	600 V	160 A	16 - 2/0	-

 <b>VDE approval of drawings</b> Approval ID: 40041859				
	Nominal voltage $U_N$	Nominal current $I_N$	Cross section AWG	Cross section $\text{mm}^2$
keine	1000 V	192 A	-	1.5 - 70

# MKDSP 50/ 4-17,5-F - PCB terminal block



1856197

<https://www.phoenixcontact.com/us/products/1856197>

## Classifications

### ECLASS

ECLASS-13.0	27460101
ECLASS-15.0	27460101

### ETIM

ETIM 10.0	EC002643
-----------	----------

### UNSPSC

UNSPSC 21.0	39121400
-------------	----------

# MKDSP 50/ 4-17,5-F - PCB terminal block



1856197

<https://www.phoenixcontact.com/us/products/1856197>

## Environmental product compliance

### EU RoHS

Fulfills EU RoHS substance requirements	Yes, No exemptions
---	--------------------

### China RoHS

Environment friendly use period (EFUP)	EFUP-E
	No hazardous substances above the limits

### EU REACH SVHC

REACH candidate substance (CAS No.)	No substance above 0.1 wt%
-------------------------------------	----------------------------

### EF3.1 Climate Change

CO2e kg	1.961 kg CO2e
---------	---------------

Phoenix Contact 2026 © - all rights reserved  
<https://www.phoenixcontact.com>

Phoenix Contact USA  
586 Fulling Mill Road  
Middletown, PA 17057, United States  
(+717) 944-1300  
[info@phoenixcon.com](mailto:info@phoenixcon.com)