

VC-K-T1-R-M20 - Sleeve housing

1855097

<https://www.phoenixcontact.com/us/products/1855097>

Please be informed that the data shown in this PDF document is generated from our online catalog. Please find the complete data in the user documentation. Our general terms of use for downloads are valid.



Sleeve housing, Range of articles: VARIOCON, design: VC1, color: gray, When using fiber optics, the bending radii of the cable manufacturers must be observed.

Commercial data

Item number	1855097
Packing unit	5 pc
Minimum order quantity	1 pc
Sales key	AB01
Product key	ABLAAA
GTIN	4017918970857
Weight per piece (including packing)	55.58 g
Weight per piece (excluding packing)	51.813 g
Customs tariff number	85389099
Country of origin	PL

Technical data

Notes

Safety note

<p>Safety note</p>	<p>WARNING: The connectors may not be plugged in or disconnected under load. Ignoring the warning or improper use may damage persons and/or property.</p> <ul style="list-style-type: none"> • WARNING: Commission properly functioning products only. The products must be regularly inspected for damage. Decommission defective products immediately. Replace damaged products. Repairs are not possible. • WARNING: Only electrically qualified personnel may install and operate the product. They must observe the following safety notes. The qualified personnel must be familiar with the basics of electrical engineering. They must be able to recognize and prevent danger. The relevant symbol on the packaging indicates that only personnel familiar with electrical engineering are allowed to install and operate the product. • The products are suitable for applications in plant, controller, and electrical device engineering. • When operating the connectors in outdoor applications, they must be separately protected against environmental influences. • Assembled products may not be manipulated or improperly opened. • Only use mating connectors that are specified in the technical data of the standards listed (e.g. the ones listed in the product accessories online at phoenixcontact.com/products). • When using the product in direct connection with third-party manufacturers, the user is responsible. • For operating voltages > 50 V AC, conductive connector housings must be grounded • Ensure that the protective or functional ground has been properly connected. • VDE 0100/1.97 § 411.1.3.2 and DIN EN 60 204/11.98 § 14.1.3 are applicable when combining several circuits in a cable and/or connector • Observe the corresponding technical data. You will find information: <ul style="list-style-type: none"> o On the product o On the packing label o In the supplied documentation o Online at phoenixcontact.com/products under the product • Only use tools recommended by Phoenix Contact • The installation notes/Design In documents online on the download page at phoenixcontact.com/products must be observed for this product. • Use a protective cap to protect connectors that are not in use. The suitable accessories are available online in the accessory section of the product at phoenixcontact.com/products • Operate the connector only when it is fully plugged in. • Ensure that when laying the cable, the tensile load on the connectors does not exceed the upper limit specified in the
--------------------	---

VC-K-T1-R-M20 - Sleeve housing

1855097

<https://www.phoenixcontact.com/us/products/1855097>

	standards.
	<ul style="list-style-type: none">• Observe the minimum bending radius of the cable. Lay the cable without twisting it.
	<ul style="list-style-type: none">• The connector warms up in normal operation. Depending on the ambient conditions, the surface of the connector can continue to warm up. In this case, the user is responsible for posting warnings (e.g. DIN EN ISO 13732-1:2008-12).

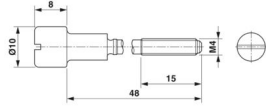
Product properties

Product type	Sleeve housings
Product family	VARIOCON
Type	VC1
No. of cable outlets	1
Type of the screw connection	M20
Fixing screws	M4
Shielded	no
Cable outlet	slanted

Connection data

Tightening torque	1.2 ... 1.8 Nm
-------------------	----------------

Dimensions

Dimensional drawing	
Width	33 mm
Height	64 mm
Length	66 mm

Material specifications

Color	gray
Color of the housing part	gray
Material Housing	Polyamide (Sleeve housing)
Flammability rating according to UL 94	V0
Seal material	EPDM NBR
O-ring material	NBR
Material of locking screw	Brass, nickel-plated

Mechanical properties

Mechanical data

Type of the screw connection	M20
Locking type	Screw

VC-K-T1-R-M20 - Sleeve housing



1855097

<https://www.phoenixcontact.com/us/products/1855097>

Environmental and real-life conditions

Ambient conditions

Degree of protection	IP67 (DIN IEC 60529)
	IP65
Ambient temperature (operation)	-40 °C ... 80 °C

Mounting

Fixing screws	M4
---------------	----

VC-K-T1-R-M20 - Sleeve housing

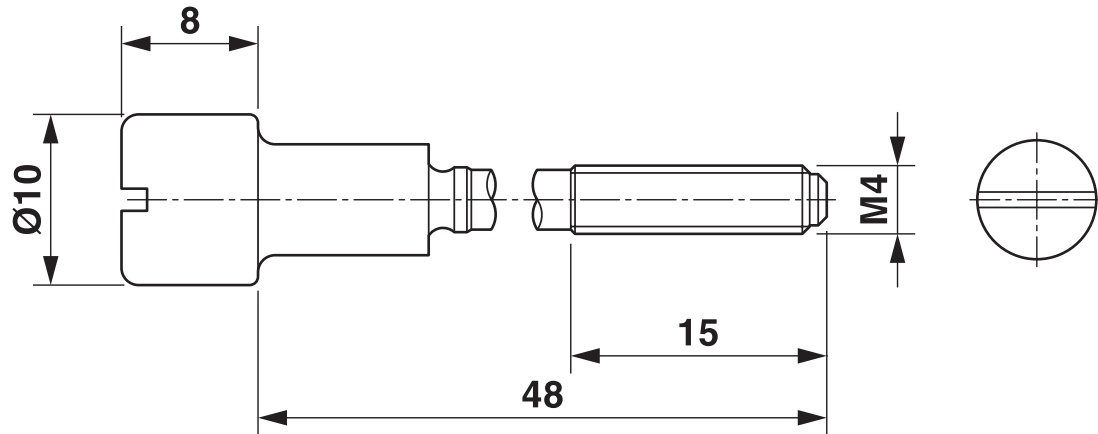
1855097

<https://www.phoenixcontact.com/us/products/1855097>

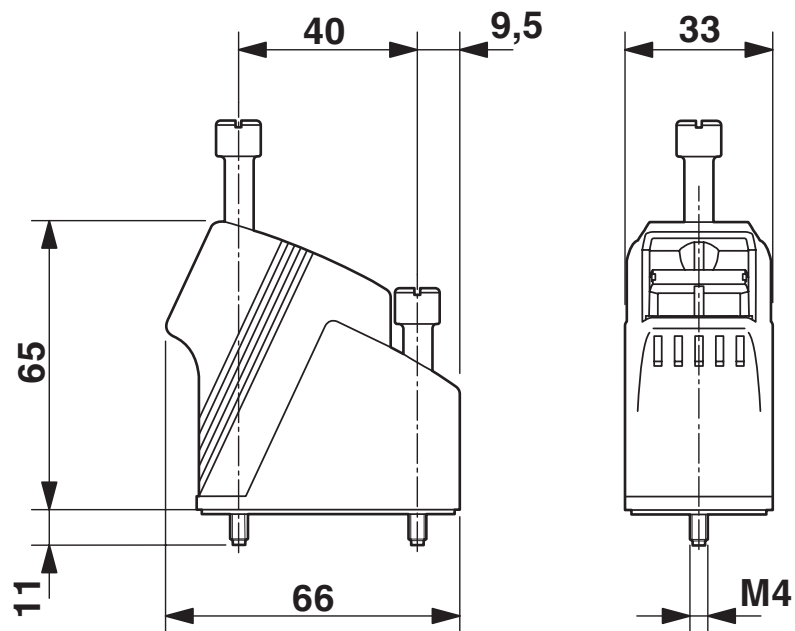


Drawings

Dimensional drawing



Dimensional drawing



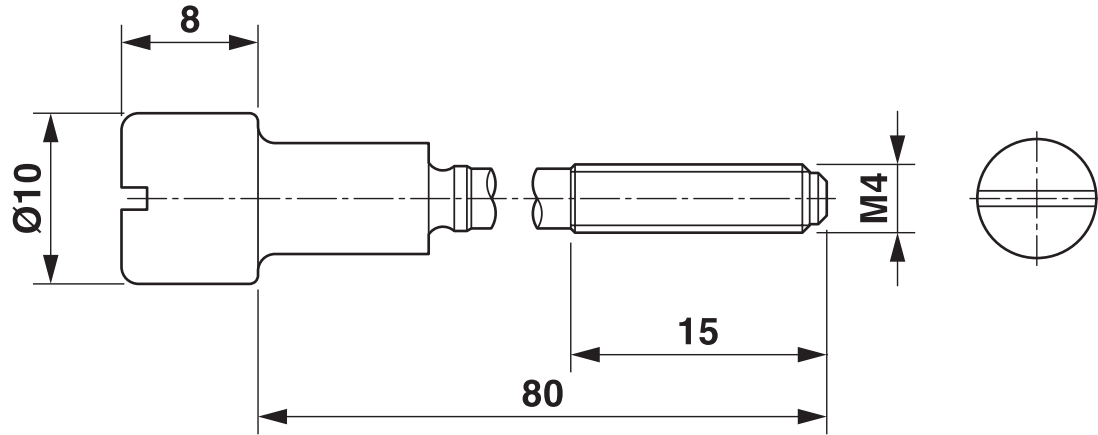
VC-K-T1-R-M20 - Sleeve housing

1855097

<https://www.phoenixcontact.com/us/products/1855097>



Dimensional drawing



VC-K-T1-R-M20 - Sleeve housing



1855097

<https://www.phoenixcontact.com/us/products/1855097>

Classifications

ECLASS

ECLASS-13.0	27440202
ECLASS-15.0	27440202

ETIM

ETIM 10.0	EC000437
-----------	----------

UNSPSC

UNSPSC 21.0	31261500
-------------	----------

VC-K-T1-R-M20 - Sleeve housing



1855097

<https://www.phoenixcontact.com/us/products/1855097>

Environmental product compliance

EU RoHS

Fulfills EU RoHS substance requirements	Yes, No exemptions
---	--------------------

China RoHS

Environment friendly use period (EFUP)	EFUP-E
	No hazardous substances above the limits

EU REACH SVHC

REACH candidate substance (CAS No.)	No substance above 0.1 wt%
-------------------------------------	----------------------------

Phoenix Contact 2026 © - all rights reserved
<https://www.phoenixcontact.com>

Phoenix Contact USA
586 Fulling Mill Road
Middletown, PA 17057, United States
(+717) 944-1300
info@phoenixcon.com