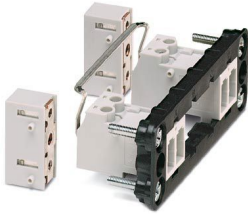


# VC-AR4S2-PE - Panel-mount frame

1853515

<https://www.phoenixcontact.com/us/products/1853515>

Please be informed that the data shown in this PDF document is generated from our online catalog. Please find the complete data in the user documentation. Our general terms of use for downloads are valid.



Panel mounting frame, with capacitive PE, for contact insert modules, type 4, number of insert modules 5

## Commercial data

Item number	1853515
Packing unit	1 pc
Note	Made to order (non-returnable)
Sales key	AB01
Product key	ABLADB
GTIN	4017918144098
Weight per piece (including packing)	43.62 g
Weight per piece (excluding packing)	43.62 g
Customs tariff number	85369010
Country of origin	PL

# VC-AR4S2-PE - Panel-mount frame

1853515

<https://www.phoenixcontact.com/us/products/1853515>

## Technical data

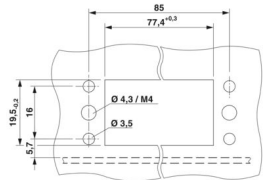
### Product properties

Product type	Panel-mount frame
Product family	VARIOCON
Type	VC4

### Insulation characteristics

Degree of pollution	3
---------------------	---

### Dimensions

Dimensional drawing	
Width	97.1 mm
Height	26.5 mm
Length	34.6 mm

### Material specifications

Color of the housing part	gray
Flammability rating according to UL 94	V0
Insulating material group	I
Housing material	PA
Contact material	CuZn
Contact surface material	nickel-plated
Contact carrier material	PA

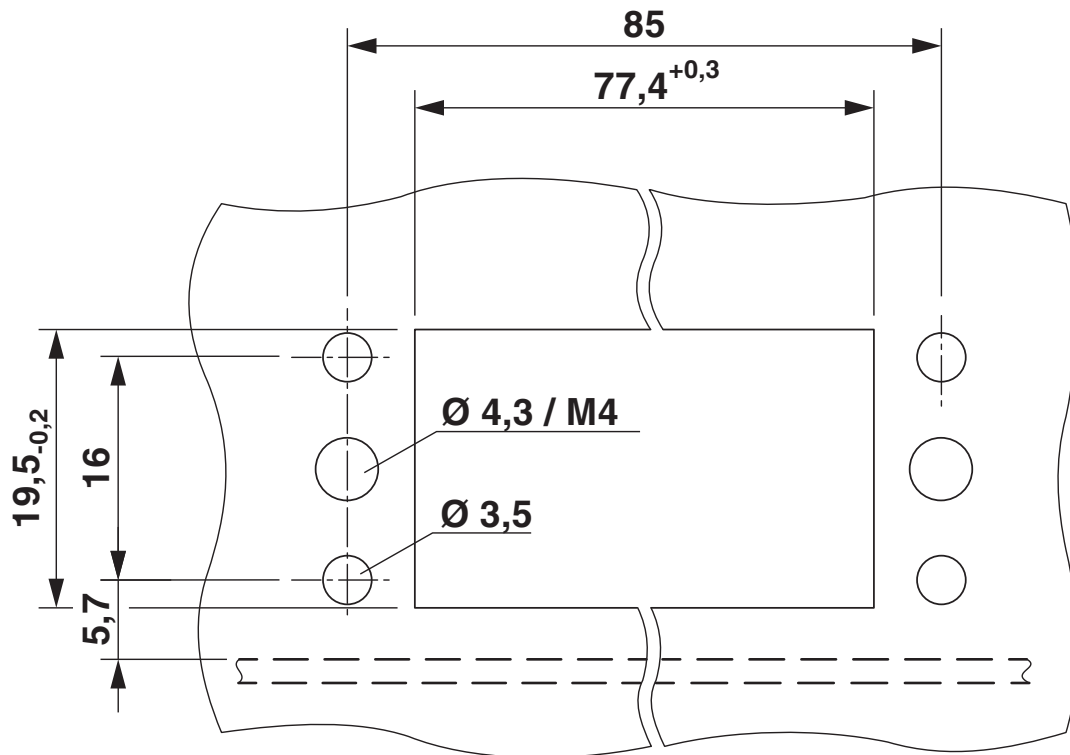
# VC-AR4S2-PE - Panel-mount frame

1853515

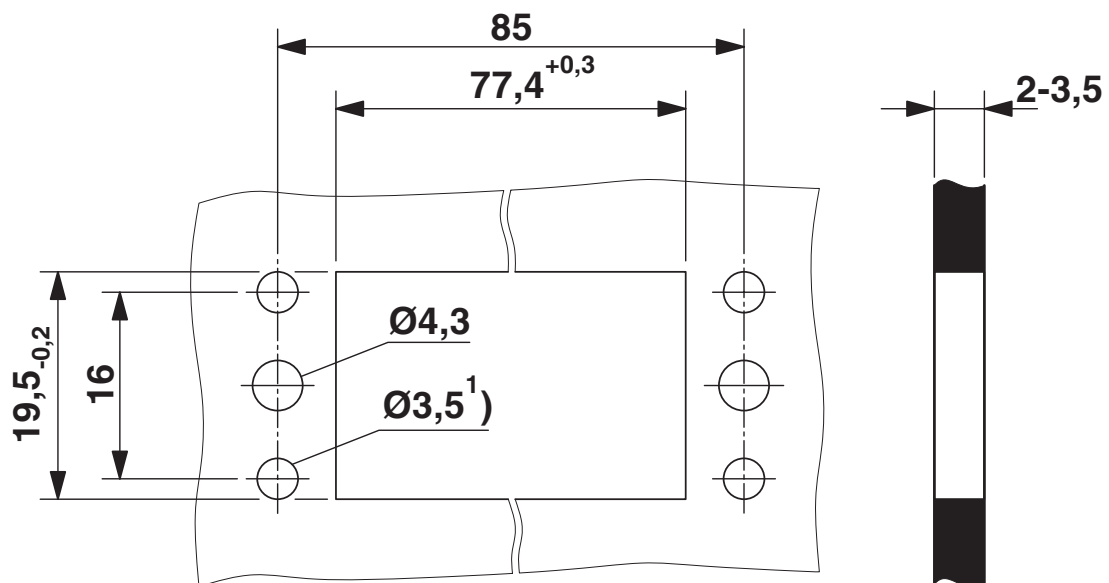
<https://www.phoenixcontact.com/us/products/1853515>

## Drawings

Dimensional drawing



Dimensional drawing



# VC-AR4S2-PE - Panel-mount frame

1853515

<https://www.phoenixcontact.com/us/products/1853515>



Phoenix Contact 2026 © - all rights reserved

<https://www.phoenixcontact.com>

Phoenix Contact USA  
586 Fulling Mill Road  
Middletown, PA 17057, United States  
(+717) 944-1300  
[info@phoenixcon.com](mailto:info@phoenixcon.com)