

MCC 1/13-STZF-3,81 - PCB connector

1852477

<https://www.phoenixcontact.com/us/products/1852477>

Please be informed that the data shown in this PDF document is generated from our online catalog. Please find the complete data in the user documentation. Our general terms of use for downloads are valid.



The figure shows an 10-position version

PCB connector, nominal cross section: 1 mm², color: green, nominal current: 8 A, rated voltage (III/2): 160 V, contact connection type: Socket, number of potentials: 13, number of rows: 1, number of positions: 13, number of connections: 13, product range: MCC 1/..-STZF, pitch: 3.81 mm, connection method: Crimp connection, conductor/PCB connection direction: 0 °, plug-in system: COMBICON MC 1,5, locking: Screw locking mechanism, mounting method: Screw flange, type of packaging: packed in cardboard, Corresponding female crimp contacts with current [A] and conductor cross-section range [mm²] data: 5A/MCC-MT 0,2-0,35 (1859988); 8A/MCC-MT 0,5-1,0 (1859991)

Your advantages

- Inexpensive connection of large quantities of preassembled conductors
- Screwable flange for superior mechanical stability
- Pull-out aid facilitates handling and allows the tensile force to be reduced at the contact point

Commercial data

| | |
|--------------------------------------|--------------------------------|
| Item number | 1852477 |
| Packing unit | 50 pc |
| Minimum order quantity | 50 pc |
| Note | Made to order (non-returnable) |
| Product key | AABCAB |
| GTIN | 4017918143985 |
| Weight per piece (including packing) | 4.662 g |
| Weight per piece (excluding packing) | 4.171 g |
| Country of origin | PL |

MCC 1/13-STZF-3,81 - PCB connector



1852477

<https://www.phoenixcontact.com/us/products/1852477>

Technical data

Product properties

| | |
|-----------------------|-----------------------|
| Product type | PCB connector |
| Product family | MCC 1/..-STZF |
| Product line | COMBICON Connectors S |
| Type | Standard |
| Number of positions | 13 |
| Pitch | 3.81 mm |
| Number of connections | 13 |
| Number of rows | 1 |
| Number of potentials | 13 |
| Mounting type | Screw flange |

Electrical properties

Properties

| | |
|-----------------------------|--------|
| Nominal current I_N | 8 A |
| Nominal voltage U_N | 160 V |
| Rated voltage (III/3) | 160 V |
| Rated surge voltage (III/3) | 2.5 kV |
| Rated voltage (III/2) | 160 V |
| Rated surge voltage (III/2) | 2.5 kV |
| Rated voltage (II/2) | 320 V |
| Rated surge voltage (II/2) | 2.5 kV |

Connection data

Connection technology

| | |
|-------------------------|-------------------|
| Type | Standard |
| Connector system | COMBICON MC 1,5 |
| Nominal cross section | 1 mm ² |
| Contact connection type | Socket |

Interlock

| | |
|---------------|-------------------------|
| Locking type | Screw locking mechanism |
| Mounting type | Screw flange |

Conductor connection

| | |
|------------------------------------|---|
| Connection method | Crimp connection |
| Conductor/PCB connection direction | 0 ° |
| Conductor cross-section flexible | 0.2 mm ² ... 1 mm ² |
| Conductor cross-section AWG | 24 ... 18 |

Material specifications

MCC 1/13-STZF-3,81 - PCB connector

1852477

<https://www.phoenixcontact.com/us/products/1852477>

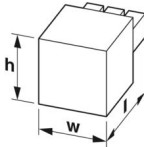
Material data - contact

| | |
|--|----------|
| Metal surface contact area (top layer) | Tin (Sn) |
|--|----------|

Material data - housing

| | |
|---|--------------|
| Color (Housing) | green (6021) |
| Insulating material | PA |
| Insulating material group | I |
| CTI according to IEC 60112 | 600 |
| Flammability rating according to UL 94 | V0 |
| Glow wire flammability index GWFI according to EN 60695-2-12 | 850 |
| Glow wire ignition temperature GWIT according to EN 60695-2-13 | 775 |
| Temperature for the ball pressure test according to EN 60695-10-2 | 125 °C |

Dimensions

| | |
|---------------------|--|
| Dimensional drawing |  |
| Pitch | 3.81 mm |
| Width [w] | 59.92 mm |
| Height [h] | 8.7 mm |
| Length [l] | 23.1 mm |

Notes

| | |
|---------------------|---|
| Note on the contact | The information on the basic material and the finish properties of the crimp contacts is to be found in the E-Shop in the technical data for the respective crimp contact. |
| Note on application | All laboratory tests are performed in combination with the crimp contacts specified as accessories. |
| Note on application | The current depends on the crimp contact and conductor cross-section used. |
| Note on application | The corresponding crimp contacts are to be found in the "Accessories" tab. |
| Note on application | The crimp contacts may only be processed with approved crimping tools. |
| Note on the contact | These connectors conform to DIN EN 61984, connectors without switching power (COC). When used for their intended purpose, they must not be plugged in or disconnected live or under load. |

Environmental and real-life conditions

Ambient conditions

| | |
|---|------------------|
| Ambient temperature (storage/transport) | -40 °C ... 70 °C |
| Relative humidity (storage/transport) | 30 % ... 70 % |

MCC 1/13-STZF-3,81 - PCB connector



1852477

<https://www.phoenixcontact.com/us/products/1852477>

| | |
|---------------------------------|---|
| Ambient temperature (assembly) | -5 °C ... 100 °C |
| Ambient temperature (operation) | -40 °C ... 100 °C (dependent on the derating curve) |

Electrical tests

Air clearances and creepage distances |

| | |
|--|---------------------|
| Specification | IEC 60664-1:2007-04 |
| Insulating material group | I |
| Comparative tracking index (IEC 60112) | CTI 600 |
| Rated insulation voltage (III/3) | 160 V |
| Rated surge voltage (III/3) | 2.5 kV |
| minimum clearance value - non-homogenous field (III/3) | 1.5 mm |
| minimum creepage distance (III/3) | 2 mm |
| Rated insulation voltage (III/2) | 160 V |
| Rated surge voltage (III/2) | 2.5 kV |
| minimum clearance value - non-homogenous field (III/2) | 1.5 mm |
| minimum creepage distance (III/2) | 1.5 mm |
| Rated insulation voltage (II/2) | 320 V |
| Rated surge voltage (II/2) | 2.5 kV |
| minimum clearance value - non-homogenous field (II/2) | 1.5 mm |
| minimum creepage distance (II/2) | 1.6 mm |

Packaging specifications

| | |
|-------------------|---------------------|
| Type of packaging | packed in cardboard |
|-------------------|---------------------|

MCC 1/13-STZF-3,81 - PCB connector



1852477

<https://www.phoenixcontact.com/us/products/1852477>

Drawings

Dimensional drawing



Diagram



Type: MCC 1/...-ST-3,81 with MC 1,5/...-G-3,81; contact: MCC-MT 0,5 - 1,0

MCC 1/13-STZF-3,81 - PCB connector



1852477

<https://www.phoenixcontact.com/us/products/1852477>

Approvals

To download certificates, visit the product detail page: <https://www.phoenixcontact.com/us/products/1852477>

|  cULus Recognized Approval ID: E60425-20110128 | | | | |
|---|-----------------------|-----------------------|-------------------|-----------------------------|
| | Nominal voltage U_N | Nominal current I_N | Cross section AWG | Cross section mm^2 |
| B | 300 V | 5 A | 24 - 22 | - |
| D | 300 V | 5 A | 24 - 22 | - |

MCC 1/13-STZF-3,81 - PCB connector



1852477

<https://www.phoenixcontact.com/us/products/1852477>

Classifications

ECLASS

| | |
|-------------|----------|
| ECLASS-13.0 | 27460202 |
| ECLASS-15.0 | 27460202 |

ETIM

| | |
|-----------|----------|
| ETIM 10.0 | EC002638 |
|-----------|----------|

UNSPSC

| | |
|-------------|----------|
| UNSPSC 21.0 | 39121400 |
|-------------|----------|

MCC 1/13-STZF-3,81 - PCB connector



1852477

<https://www.phoenixcontact.com/us/products/1852477>

Environmental product compliance

EU RoHS

| | |
|---|--------------------|
| Fulfills EU RoHS substance requirements | Yes, No exemptions |
|---|--------------------|

China RoHS

| | |
|--|--|
| Environment friendly use period (EFUP) | EFUP-E |
| | No hazardous substances above the limits |

EU REACH SVHC

| | |
|-------------------------------------|----------------------------|
| REACH candidate substance (CAS No.) | No substance above 0.1 wt% |
|-------------------------------------|----------------------------|

EF3.1 Climate Change

| | |
|---------|---------------|
| CO2e kg | 0.008 kg CO2e |
|---------|---------------|

Phoenix Contact 2026 © - all rights reserved
<https://www.phoenixcontact.com>

Phoenix Contact USA
586 Fulling Mill Road
Middletown, PA 17057, United States
(+717) 944-1300
info@phoenixcon.com