

# IC-DFR 6 - Accessories

1852066

<https://www.phoenixcontact.com/us/products/1852066>

Please be informed that the data shown in this PDF document is generated from our online catalog. Please find the complete data in the user documentation. Our general terms of use for downloads are valid.



Panel-mount frame, nominal cross section: 2.5 mm<sup>2</sup>, color: green, number of potentials: 6, number of rows: 1, number of positions: 6, number of connections: 6, product range: IC-DFR, pitch: 5.08 mm, type of packaging: packed in cardboard, This assembly frame can only be used in combination with IC 2,5/...-STGF-5,08

## Your advantages

- Feed-through assembly frame for inverted COMBICON connector IC 2,5/-STGF-5,08
- Cable connection on the inside of the device enables flexible positioning of the panel feed-through
- Mounting flanges reduce the mechanical strain on the soldering spots
- Can be combined with the MSTB 2,5 range

## Commercial data

|                                      |               |
|--------------------------------------|---------------|
| Item number                          | 1852066       |
| Packing unit                         | 50 pc         |
| Minimum order quantity               | 50 pc         |
| Sales key                            | AA08          |
| Product key                          | AAHZBE        |
| GTIN                                 | 4017918108946 |
| Weight per piece (including packing) | 2.2 g         |
| Weight per piece (excluding packing) | 2.09 g        |
| Customs tariff number                | 39269097      |
| Country of origin                    | PL            |



# IC-DFR 6 - Accessories



1852066

<https://www.phoenixcontact.com/us/products/1852066>

## Ambient conditions

|                                       |               |
|---------------------------------------|---------------|
| Relative humidity (storage/transport) | 30 % ... 70 % |
|---------------------------------------|---------------|

## Packaging specifications

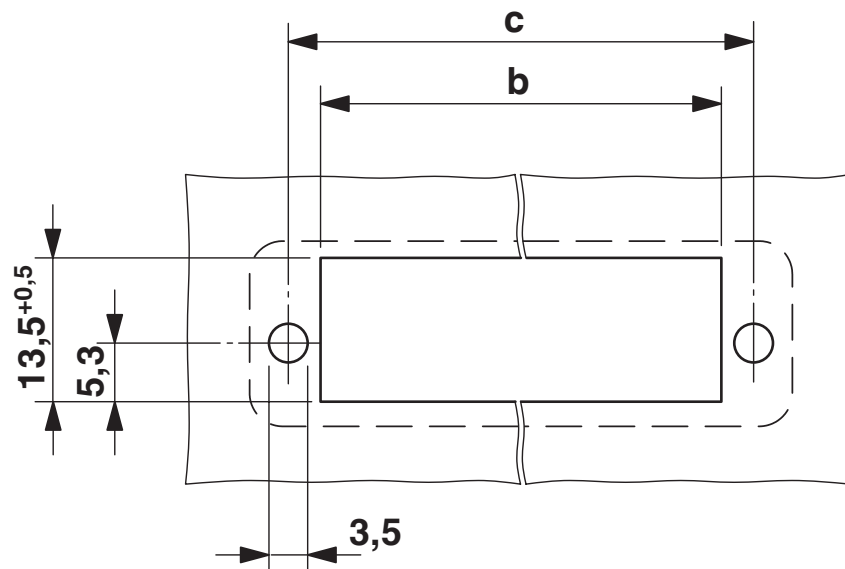
|                   |                     |
|-------------------|---------------------|
| Type of packaging | packed in cardboard |
|-------------------|---------------------|

1852066

<https://www.phoenixcontact.com/us/products/1852066>

## Drawings

Drilling plan/solder pad geometry



Dimension b:  $10.84 \text{ mm} + (\text{no. of pos.} \times 5.08 \text{ mm})$

Dimension c:  $\text{Dim. b} + 5.83 \text{ mm}$

# IC-DFR 6 - Accessories



1852066

<https://www.phoenixcontact.com/us/products/1852066>

## Classifications

### ECLASS

|             |          |
|-------------|----------|
| ECLASS-13.0 | 27460405 |
| ECLASS-15.0 | 27460405 |

### ETIM

|           |          |
|-----------|----------|
| ETIM 10.0 | EC002943 |
|-----------|----------|

### UNSPSC

|             |          |
|-------------|----------|
| UNSPSC 21.0 | 39121400 |
|-------------|----------|

# IC-DFR 6 - Accessories



1852066

<https://www.phoenixcontact.com/us/products/1852066>

## Environmental product compliance

### EU RoHS

|   |                    |
|---|--------------------|
| Fulfills EU RoHS substance requirements | Yes, No exemptions |
|---|--------------------|

### China RoHS

|  |  |
|--|--|
| Environment friendly use period (EFUP) | EFUP-E                                   |
|  | No hazardous substances above the limits |

### EU REACH SVHC

|                                     |                            |
|-------------------------------------|----------------------------|
| REACH candidate substance (CAS No.) | No substance above 0.1 wt% |
|-------------------------------------|----------------------------|

### EF3.1 Climate Change

|         |               |
|---------|---------------|
| CO2e kg | 0.013 kg CO2e |
|---------|---------------|

Phoenix Contact 2026 © - all rights reserved  
<https://www.phoenixcontact.com>

Phoenix Contact USA  
586 Fulling Mill Road  
Middletown, PA 17057, United States  
(+717) 944-1300  
[info@phoenixcon.com](mailto:info@phoenixcon.com)