

PSC 1,5/ 3-M-PE - PCB header

1848122

<https://www.phoenixcontact.com/us/products/1848122>

Please be informed that the data shown in this PDF document is generated from our online catalog. Please find the complete data in the user documentation. Our general terms of use for downloads are valid.



PCB headers, nominal cross section: 1.5 mm², color: green, nominal current: 8 A, rated voltage (III/2): 320 V, contact surface: Sn, contact connection type: Pin, number of potentials: 3, number of rows: 1, number of positions: 3, number of connections: 3, product range: PSC 1,5/..-M, pitch: 3.5 mm, mounting: Wave soldering, pin layout: Zigzag pinning W, solder pin [P]: 3.5 mm, number of solder pins per potential: 1, plug-in system: PSC 1,5, Electrical properties: shielded, Pin connector pattern alignment: Standard, locking: Screw locking mechanism, mounting method: Threaded flange, type of packaging: packed in cardboard

Your advantages

- Well-known connection principle allows worldwide use
- Shroud for professional EMC shield feed-through on the inside of the device
- Screwable flange for superior mechanical stability

Commercial data

| | |
|--------------------------------------|---------------|
| Item number | 1848122 |
| Packing unit | 50 pc |
| Minimum order quantity | 50 pc |
| Sales key | AA02 |
| Product key | AABWPB |
| GTIN | 4017918114220 |
| Weight per piece (including packing) | 6.95 g |
| Weight per piece (excluding packing) | 6.77 g |
| Customs tariff number | 85366930 |
| Country of origin | PL |

PSC 1,5/ 3-M-PE - PCB header



1848122

<https://www.phoenixcontact.com/us/products/1848122>

Technical data

Product properties

| | |
|---------------------------|------------------------|
| Product type | PCB headers |
| Product family | PSC 1,5/..-M |
| Product line | COMBICON Connectors S |
| Type | Headers with shielding |
| Number of positions | 3 |
| Pitch | 3.5 mm |
| Number of connections | 3 |
| Number of rows | 1 |
| Number of potentials | 3 |
| Mounting type | without |
| Pin layout | Zigzag pinning W |
| Solder pins per potential | 1 |
| Electrical characteristic | shielded |

Electrical properties

Properties

| | |
|-----------------------------|----------|
| Nominal current I_N | 8 A |
| Nominal voltage U_N | 320 V |
| Rated voltage (III/3) | 250 V |
| Rated surge voltage (III/3) | 4 kV |
| Rated voltage (III/2) | 320 V |
| Rated surge voltage (III/2) | 4 kV |
| Rated voltage (II/2) | 630 V |
| Rated surge voltage (II/2) | 4 kV |
| Electrical characteristic | shielded |

Mounting

| | |
|---------------|------------------|
| Mounting type | Wave soldering |
| Pin layout | Zigzag pinning W |

Material specifications

Material data - contact

| | |
|---|--|
| Note | WEEE/RoHS-compliant, free of whiskers according to IEC 60068-2-82/JEDEC JESD 201 |
| Contact material | Cu alloy |
| Surface characteristics | Tin-plated |
| Metal surface contact area (top layer) | Tin (5 μm - 7 μm Sn) |
| Metal surface contact area (middle layer) | Nickel (2 μm - 3 μm Ni) |
| Metal surface soldering area (top layer) | Tin (5 μm - 7 μm Sn) |
| Metal surface soldering area (middle layer) | Nickel (2 μm - 3 μm Ni) |

PSC 1,5/ 3-M-PE - PCB header

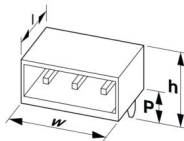
1848122

<https://www.phoenixcontact.com/us/products/1848122>

Material data - housing

| | |
|---|--------------|
| Color (Housing) | green (6021) |
| Insulating material | PA |
| Insulating material group | I |
| CTI according to IEC 60112 | 600 |
| Flammability rating according to UL 94 | V0 |
| Glow wire flammability index GWFI according to EN 60695-2-12 | 850 |
| Glow wire ignition temperature GWIT according to EN 60695-2-13 | 775 |
| Temperature for the ball pressure test according to EN 60695-10-2 | 125 °C |

Dimensions

| | |
|-----------------------|---|
| Dimensional drawing |  |
| Pitch | 3.5 mm |
| Width [w] | 30.8 mm |
| Height [h] | 17.5 mm |
| Length [l] | 20.8 mm |
| Installed height | 14 mm |
| Solder pin length [P] | 3.5 mm |

PCB design

| | |
|---------------|--------|
| Hole diameter | 1.2 mm |
|---------------|--------|

Electrical tests

Air clearances and creepage distances |

| | |
|----------------------------------|-------|
| Insulating material group | I |
| Rated insulation voltage (III/3) | 250 V |
| Rated surge voltage (III/3) | 4 kV |
| Rated insulation voltage (III/2) | 320 V |
| Rated surge voltage (III/2) | 4 kV |
| Rated insulation voltage (II/2) | 630 V |
| Rated surge voltage (II/2) | 4 kV |

Environmental and real-life conditions

Ambient conditions

| | |
|---|------------------|
| Ambient temperature (storage/transport) | -40 °C ... 70 °C |
| Relative humidity (storage/transport) | 30 % ... 70 % |
| Ambient temperature (assembly) | -5 °C ... 100 °C |

PSC 1,5/ 3-M-PE - PCB header



1848122

<https://www.phoenixcontact.com/us/products/1848122>

| | |
|---------------------------------|---|
| Ambient temperature (operation) | -40 °C ... 100 °C (dependent on the derating curve) |
|---------------------------------|---|

Packaging specifications

| | |
|-------------------|---------------------|
| Type of packaging | packed in cardboard |
|-------------------|---------------------|

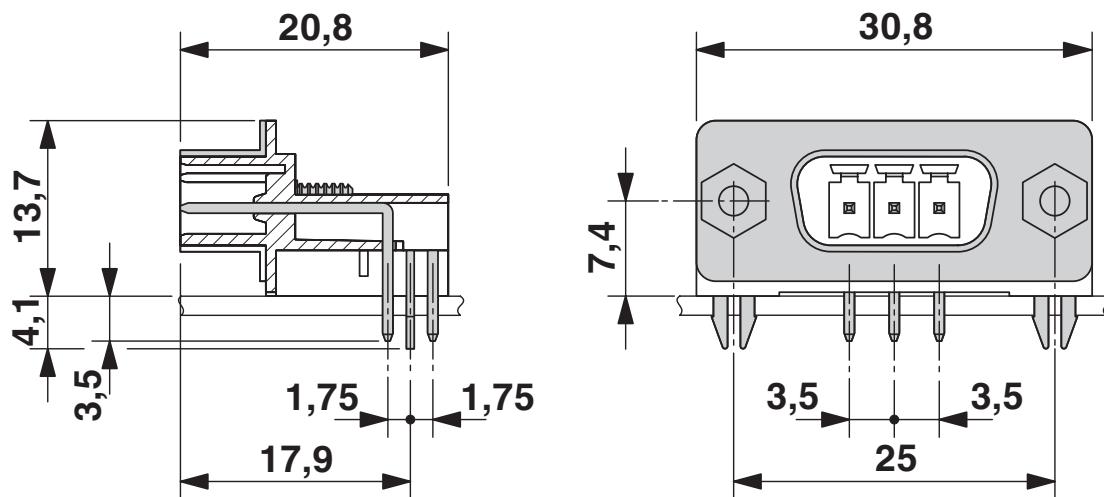
PSC 1,5/ 3-M-PE - PCB header

1848122

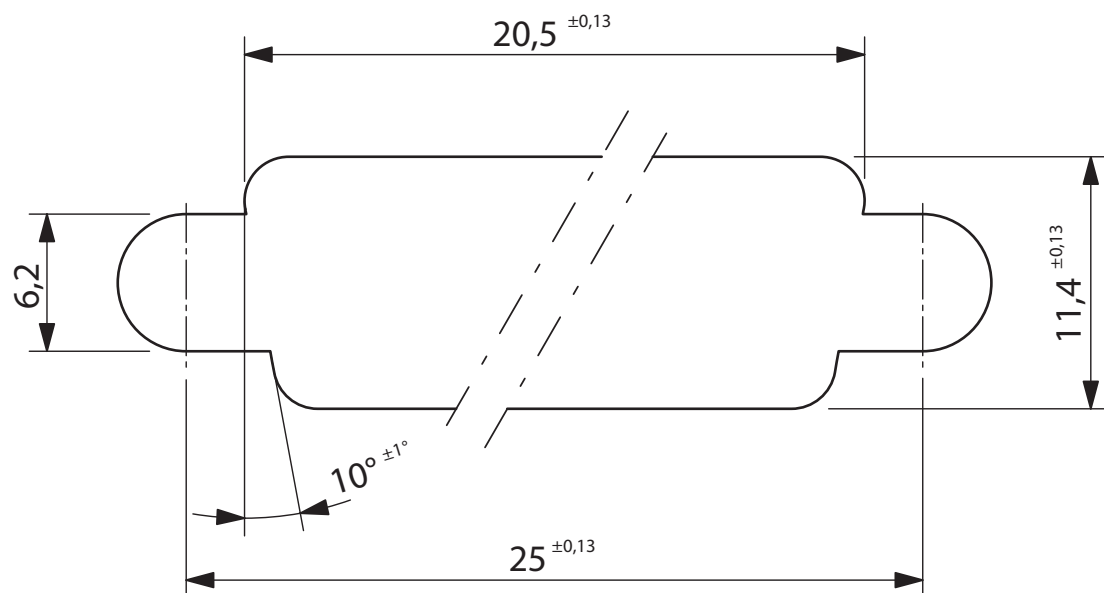
<https://www.phoenixcontact.com/us/products/1848122>

Drawings

Dimensional drawing



Dimensional drawing

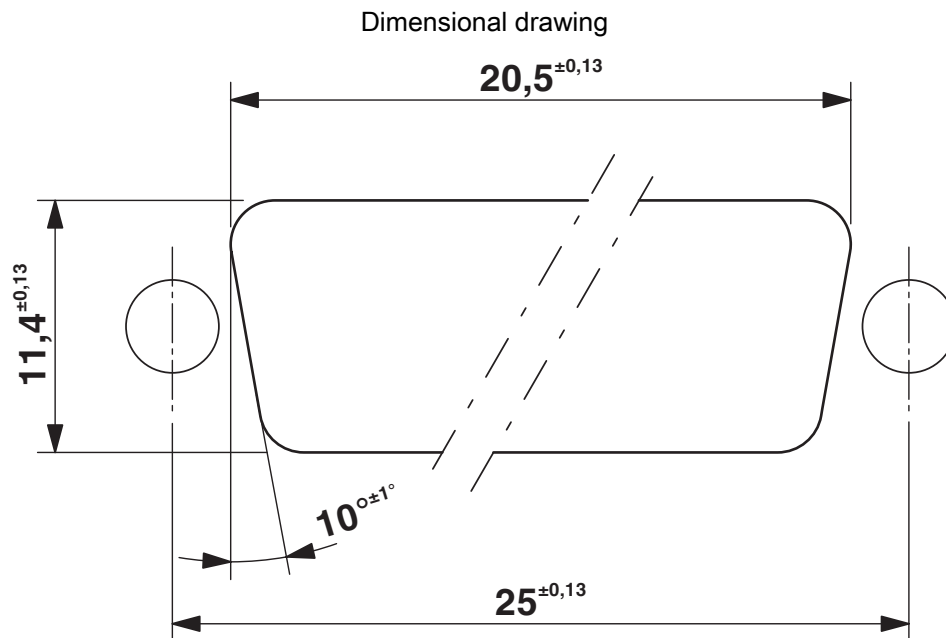


Panel cutout in acc. with DIN 41652-3 for walls up to 4.5 mm thick

PSC 1,5/ 3-M-PE - PCB header

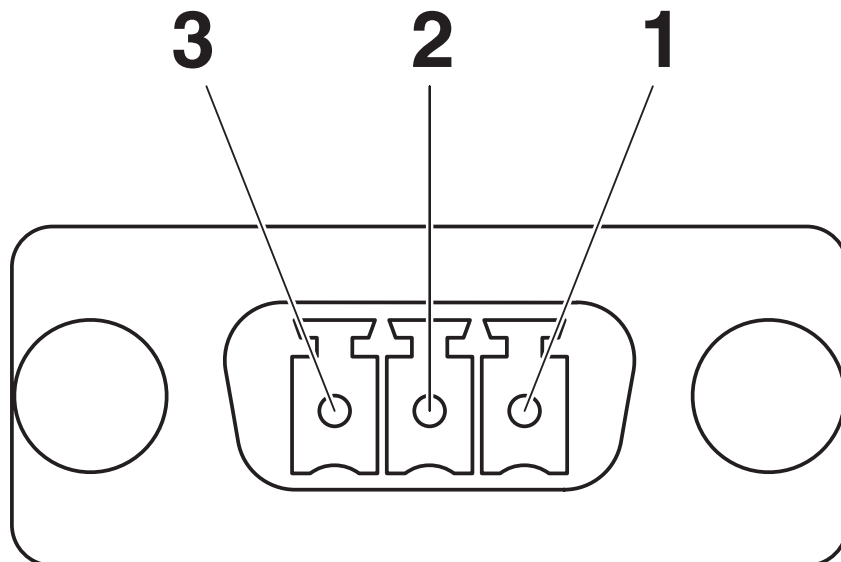
1848122

<https://www.phoenixcontact.com/us/products/1848122>



Panel cutout in acc. with DIN 41652-3 for wall up to 2.0 mm thick

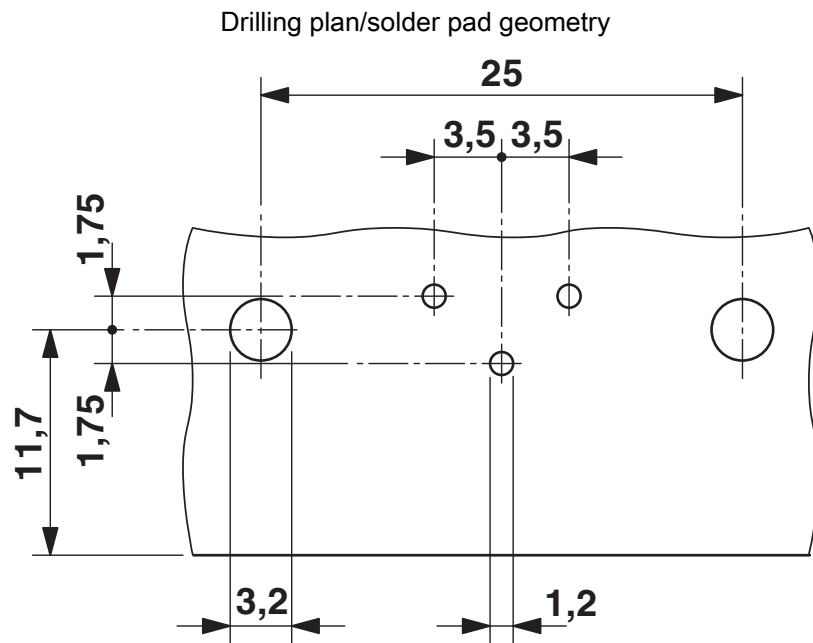
Schematic diagram



PSC 1,5/ 3-M-PE - PCB header

1848122

<https://www.phoenixcontact.com/us/products/1848122>



PSC 1,5/ 3-M-PE - PCB header




1848122

<https://www.phoenixcontact.com/us/products/1848122>

Approvals

To download certificates, visit the product detail page: <https://www.phoenixcontact.com/us/products/1848122>

|  CSA Approval ID: 13631 | | | | |
|--|-----------------------|-----------------------|-------------------|-----------------------------|
| | Nominal voltage U_N | Nominal current I_N | Cross section AWG | Cross section mm^2 |
| B | 300 V | 8 A | - | - |
| D | 300 V | 8 A | - | - |

|  cULus Recognized Approval ID: E60425-19920306 | | | | |
|---|-----------------------|-----------------------|-------------------|-----------------------------|
| | Nominal voltage U_N | Nominal current I_N | Cross section AWG | Cross section mm^2 |
| B | 300 V | 8 A | - | - |
| D | 300 V | 8 A | - | - |

PSC 1,5/ 3-M-PE - PCB header



1848122

<https://www.phoenixcontact.com/us/products/1848122>

Classifications

ECLASS

| | |
|-------------|----------|
| ECLASS-13.0 | 27460201 |
| ECLASS-15.0 | 27460201 |

ETIM

| | |
|-----------|----------|
| ETIM 10.0 | EC002637 |
|-----------|----------|

UNSPSC

| | |
|-------------|----------|
| UNSPSC 21.0 | 39121400 |
|-------------|----------|

1848122

<https://www.phoenixcontact.com/us/products/1848122>

Environmental product compliance

EU RoHS

| | |
|---|------|
| Fulfills EU RoHS substance requirements | Yes |
| Exemption | 6(c) |

China RoHS

| | |
|--|---|
| Environment friendly use period (EFUP) | EFUP-50 |
| | An article-related China RoHS declaration table can be found in the download area for the respective article under "Manufacturer declaration". For all articles with EFUP-E, no China RoHS declaration table issued and required. |

EU REACH SVHC

| | |
|-------------------------------------|--------------------------------------|
| REACH candidate substance (CAS No.) | Lead(CAS: 7439-92-1) |
| SCIP | 42944fb3-35d1-4c9d-86ce-af9db07cb798 |

EF3.1 Climate Change

| | |
|---------|--------------|
| CO2e kg | 0.12 kg CO2e |
|---------|--------------|

Phoenix Contact 2026 © - all rights reserved
<https://www.phoenixcontact.com>

Phoenix Contact USA
586 Fulling Mill Road
Middletown, PA 17057, United States
(+717) 944-1300
info@phoenixcon.com