

KGG-MC 1,5/10 - Cable housing

1834424

<https://www.phoenixcontact.com/us/products/1834424>

Please be informed that the data shown in this PDF document is generated from our online catalog. Please find the complete data in the user documentation. Our general terms of use for downloads are valid.

Cable housing, product range: KGG-MC 1,5, width: 14.5 mm



Commercial data

| | |
|--------------------------------------|---------------|
| Item number | 1834424 |
| Packing unit | 10 pc |
| Minimum order quantity | 10 pc |
| Sales key | AA08 |
| Product key | AAHZDB |
| GTIN | 4017918110765 |
| Weight per piece (including packing) | 11 g |
| Weight per piece (excluding packing) | 10.09 g |
| Customs tariff number | 39269097 |
| Country of origin | PL |

KGG-MC 1,5/10 - Cable housing

1834424

<https://www.phoenixcontact.com/us/products/1834424>

Technical data

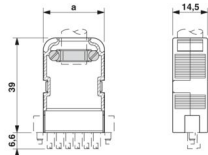
Product properties

| | |
|---------------------|---------------|
| Product type | Cable housing |
| Product family | KGG-MC 1,5 |
| Number of positions | 10 |
| Pitch | 3.81 mm |

Material specifications

| | |
|--|-----|
| Insulating material | ABS |
| Insulating material group | I |
| CTI according to IEC 60112 | 600 |
| Flammability rating according to UL 94 | HB |

Dimensions

| | |
|---------------------|--|
| Dimensional drawing |  |
| Width | 14.5 mm |
| Height | 45.6 mm |
| Pitch | 3.81 mm |

KGG-MC 1,5/10 - Cable housing

1834424

<https://www.phoenixcontact.com/us/products/1834424>



Drawings

Dimensional drawing



KGG-MC 1,5/10 - Cable housing



1834424

<https://www.phoenixcontact.com/us/products/1834424>

Classifications

ECLASS

| | |
|-------------|----------|
| ECLASS-13.0 | 27460402 |
| ECLASS-15.0 | 27460402 |

ETIM

| | |
|-----------|----------|
| ETIM 10.0 | EC002943 |
|-----------|----------|

UNSPSC

| | |
|-------------|----------|
| UNSPSC 21.0 | 39121400 |
|-------------|----------|

KGG-MC 1,5/10 - Cable housing



1834424

<https://www.phoenixcontact.com/us/products/1834424>

Environmental product compliance

EU RoHS

| | |
|---|--------------------|
| Fulfills EU RoHS substance requirements | Yes, No exemptions |
|---|--------------------|

China RoHS

| | |
|--|--|
| Environment friendly use period (EFUP) | EFUP-E |
| | No hazardous substances above the limits |

EU REACH SVHC

| | |
|-------------------------------------|----------------------------|
| REACH candidate substance (CAS No.) | No substance above 0.1 wt% |
|-------------------------------------|----------------------------|

Phoenix Contact 2026 © - all rights reserved
<https://www.phoenixcontact.com>

Phoenix Contact USA
586 Fulling Mill Road
Middletown, PA 17057, United States
(+717) 944-1300
info@phoenixcon.com