

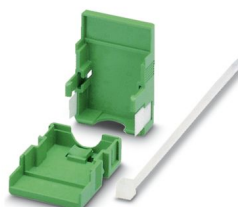
# KGG-MC 1,5/ 2 - Cable housing

1834343

<https://www.phoenixcontact.com/us/products/1834343>

Please be informed that the data shown in this PDF document is generated from our online catalog. Please find the complete data in the user documentation. Our general terms of use for downloads are valid.

Cable housing, product range: KGG-MC 1,5, width: 14.5 mm



## Commercial data

Item number	1834343
Packing unit	10 pc
Minimum order quantity	10 pc
Sales key	AA08
Product key	AAHZDB
GTIN	4017918051860
Weight per piece (including packing)	3.58 g
Weight per piece (excluding packing)	3.01 g
Customs tariff number	39269097
Country of origin	PL

# KGG-MC 1,5/ 2 - Cable housing

1834343

<https://www.phoenixcontact.com/us/products/1834343>

## Technical data

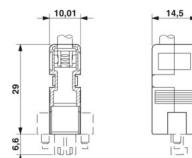
### Product properties

Product type	Cable housing
Product family	KGG-MC 1,5
Number of positions	2
Pitch	3.81 mm

### Material specifications

Insulating material	ABS
Insulating material group	I
CTI according to IEC 60112	600
Flammability rating according to UL 94	HB

### Dimensions

Dimensional drawing	
Width	14.5 mm
Height	35.6 mm
Pitch	3.81 mm

# KGG-MC 1,5/ 2 - Cable housing

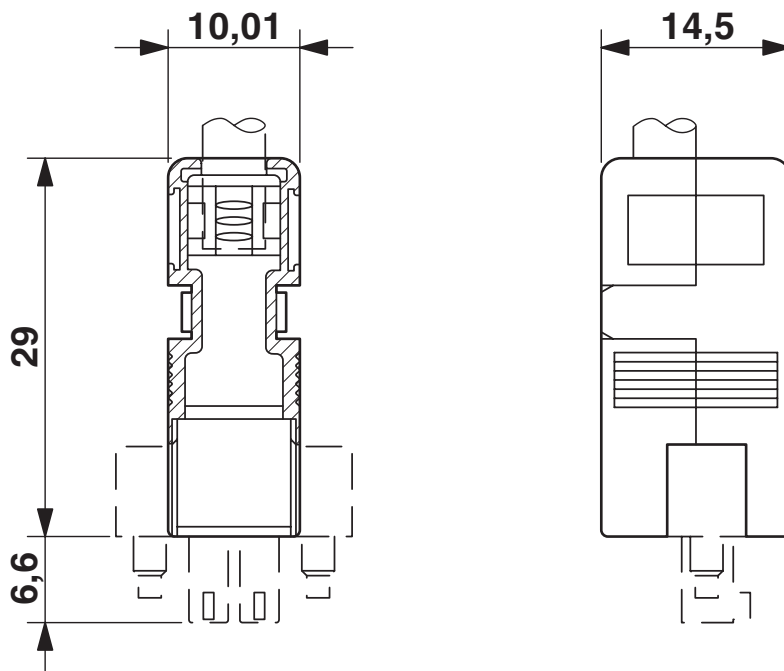
1834343

<https://www.phoenixcontact.com/us/products/1834343>



## Drawings

Dimensional drawing



# KGG-MC 1,5/ 2 - Cable housing



1834343

<https://www.phoenixcontact.com/us/products/1834343>

## Classifications

### ECLASS

ECLASS-13.0	27460402
ECLASS-15.0	27460402

### ETIM

ETIM 10.0	EC002943
-----------	----------

### UNSPSC

UNSPSC 21.0	39121400
-------------	----------

# KGG-MC 1,5/ 2 - Cable housing



1834343

<https://www.phoenixcontact.com/us/products/1834343>

## Environmental product compliance

### EU RoHS

Fulfills EU RoHS substance requirements	Yes, No exemptions
-----------------------------------------	--------------------

### China RoHS

Environment friendly use period (EFUP)	EFUP-E
	No hazardous substances above the limits

### EU REACH SVHC

REACH candidate substance (CAS No.)	No substance above 0.1 wt%
-------------------------------------	----------------------------

### EF3.1 Climate Change

CO2e kg	0.011 kg CO2e
---------	---------------

Phoenix Contact 2026 © - all rights reserved  
<https://www.phoenixcontact.com>

Phoenix Contact USA  
586 Fulling Mill Road  
Middletown, PA 17057, United States  
(+717) 944-1300  
[info@phoenixcon.com](mailto:info@phoenixcon.com)