

SACB-8/16-M23 180 HD - Distributor box



1815971

<https://www.phoenixcontact.com/us/products/1815971>

Please be informed that the data shown in this PDF document is generated from our online catalog. Please find the complete data in the user documentation. Our general terms of use for downloads are valid.



Distributor box, connection method: M12 socket, number of slots: 8, number of positions: 5, coding: A, slot assignment: Double, status display: yes, PNP; master cable connection: M23 plug connection 180°, shielding: no

Marking labels are not included in the scope of delivery

Your advantages

- Safety in the field, thanks to molded housing and high degree of protection
- Convenient: increased machine availability thanks to quick and easy diagnostics
- Save space: distributor box with double occupancy for two sensors in one slot

Commercial data

Item number	1815971
Packing unit	1 pc
Minimum order quantity	1 pc
Sales key	BF41
Product key	AF3CBB
GTIN	4067923443976
Weight per piece (including packing)	324.9 g
Weight per piece (excluding packing)	323.9 g
Customs tariff number	85366990
Country of origin	DE

SACB-8/16-M23 180 HD - Distributor box



1815971

<https://www.phoenixcontact.com/us/products/1815971>

Technical data

Notes

Assembly note	NOTE: Observe the permissible bending radii when routing cables, since the degree of protection may be at risk if the bending forces are too high. Reduce mechanical loads upstream of the connector, e.g., by using cable ties.
Note on application	Unused slots are to be sealed off prior to commissioning. Suitable sealing elements are to be found under "Accessories".

Product properties

Product type	Distributor box
Number of positions	5
Number of slots	8
Coding	A

Electrical properties

Max. operating voltage U_{max}	30 V DC
Nominal voltage U_N	24 V DC
Rated current, total	10 A
Max. current carrying capacity per path	2 A
Current carrying capacity per slot	4 A

Connection data

Conductor connection

Sensor/actuator connection system	M12 socket
Tightening torque slot sensor/actuator cable	0.4 Nm

Signaling

Status display present	yes
------------------------	-----

Dimensions

Dimensional drawing	
Width	60 mm
Height	26 mm
Length	153 mm

Material specifications

Material Housing	PBT
------------------	-----

SACB-8/16-M23 180 HD - Distributor box



1815971

<https://www.phoenixcontact.com/us/products/1815971>

Flammability rating according to UL 94	V0
Seal material O-ring	NBR
Contact material	CuSn
Contact surface material	Ni/Au
Material of contact, master cable side	CU alloy
Material of contact surface, master cable side	gold-plated

Cable/line

Connection method	M23 plug connection
-------------------	---------------------

Environmental and real-life conditions

Ambient conditions

Degree of protection	IP65
	IP67

SACB-8/16-M23 180 HD - Distributor box

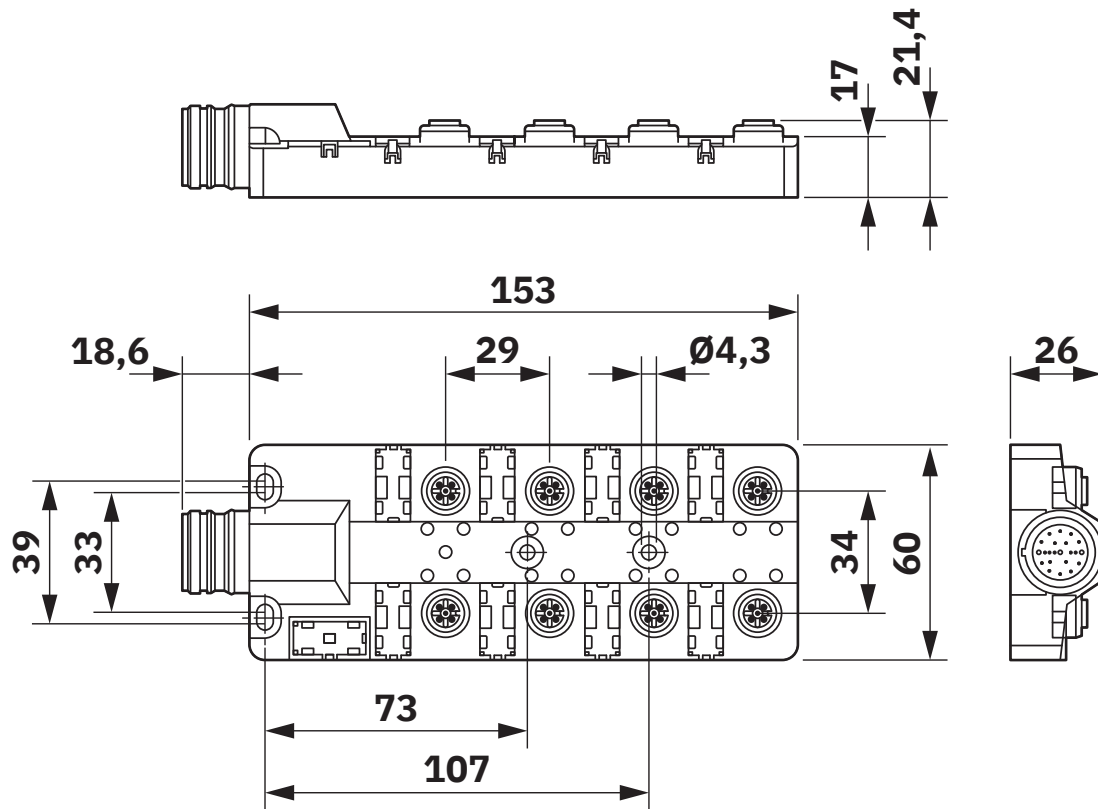


1815971

<https://www.phoenixcontact.com/us/products/1815971>

Drawings

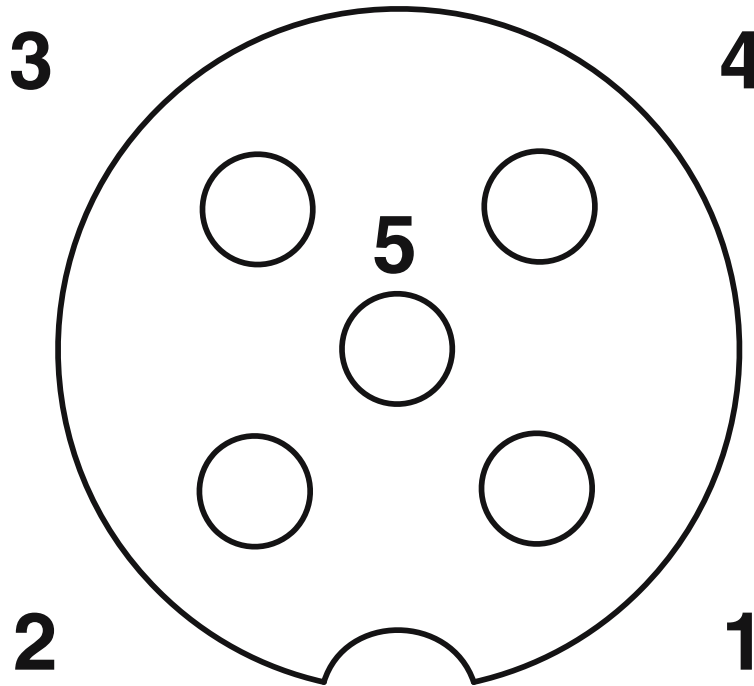
Dimensional drawing



1815971

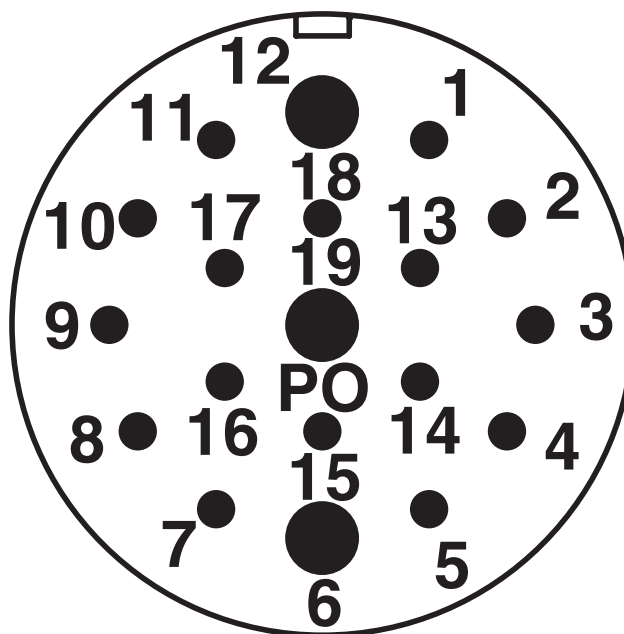
<https://www.phoenixcontact.com/us/products/1815971>

Schematic diagram



M12 slot, socket, 5-pos.

Schematic diagram



M23 plug connection pin, 19-pos.

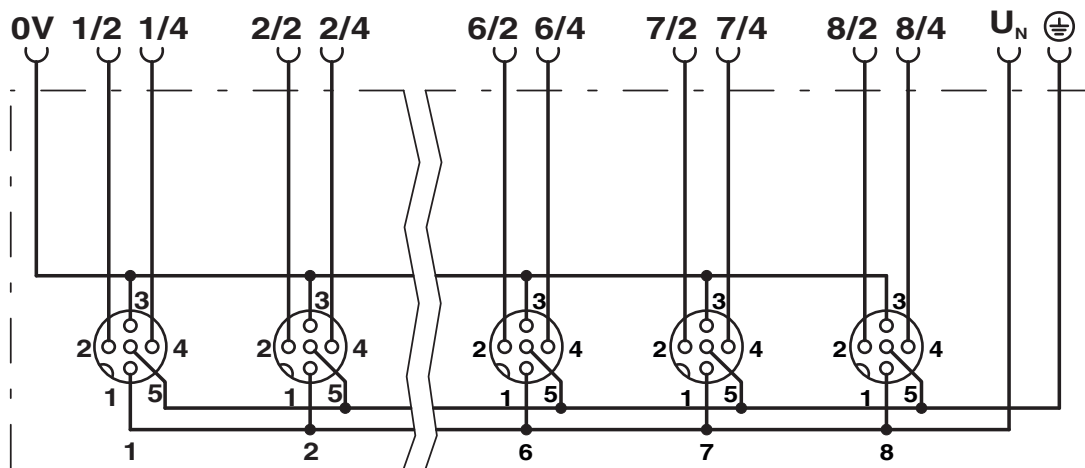
SACB-8/16-M23 180 HD - Distributor box



1815971

<https://www.phoenixcontact.com/us/products/1815971>

Circuit diagram



SACB-8/16-M23 180 HD - Distributor box





1815971

<https://www.phoenixcontact.com/us/products/1815971>

Approvals

To download certificates, visit the product detail page: <https://www.phoenixcontact.com/us/products/1815971>

 cUL Recognized Approval ID: E118976				
	Nominal voltage U_N	Nominal current I_N	Cross section AWG	Cross section mm^2
keine				
	120 V	-	22 - 16	-

 UL Recognized Approval ID: E118976				
	Nominal voltage U_N	Nominal current I_N	Cross section AWG	Cross section mm^2
keine				
	120 V	-	22 - 16	-

SACB-8/16-M23 180 HD - Distributor box



1815971

<https://www.phoenixcontact.com/us/products/1815971>

Classifications

ECLASS

ECLASS-13.0	27440111
ECLASS-15.0	27440111

ETIM

ETIM 10.0	EC003558
-----------	----------

UNSPSC

UNSPSC 21.0	31251500
-------------	----------

SACB-8/16-M23 180 HD - Distributor box



1815971

<https://www.phoenixcontact.com/us/products/1815971>

Environmental product compliance

EU RoHS

Fulfills EU RoHS substance requirements	Yes
Exemption	6(c)

China RoHS

Environment friendly use period (EFUP)	EFUP-50
	An article-related China RoHS declaration table can be found in the download area for the respective article under "Manufacturer declaration". For all articles with EFUP-E, no China RoHS declaration table issued and required.

EU REACH SVHC

REACH candidate substance (CAS No.)	Lead(CAS: 7439-92-1)
-------------------------------------	----------------------

Phoenix Contact 2026 © - all rights reserved
<https://www.phoenixcontact.com>

Phoenix Contact USA
586 Fulling Mill Road
Middletown, PA 17057, United States
(+717) 944-1300
info@phoenixcon.com