

PV-DB S20-2,5/0,8-2D - Photovoltaic connectors



1811239

<https://www.phoenixcontact.com/us/products/1811239>

Please be informed that the data shown in this PDF document is generated from our online catalog. Please find the complete data in the user documentation. Our general terms of use for downloads are valid.



Photovoltaics diode box, nominal current: 5 A, nom. voltage: 1000 V, width: 38 mm, connection method: open cable end, color: black. Only with Huber & Suhner RADOX® Solar (TÜV) solar cable

Commercial data

Item number	1811239
Packing unit	10 pc
Minimum order quantity	1 pc
Product key	ABLBEX
GTIN	4046356712330
Weight per piece (including packing)	92.2 g
Weight per piece (excluding packing)	58.36 g
Country of origin	DE

Technical data

Product properties

Product type	Photovoltaic connectors
Product family	SUNCLIX

Insulation characteristics

Protection class	II
------------------	----

Electrical properties

Rated voltage (III/2)	1000 V
Rated surge voltage (III/3)	8 kV
Rated current	5 A

Input data

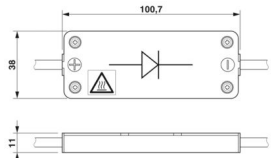
Diode

Nominal input voltage U_N	1000 V
Max. operating voltage U_{max}	1000 V
Peak reverse voltage per diode	2200 V
Reverse current per diode	40 μ A
Conducting state voltage per diode	1.26 V
Conducting state current per diode	30 A
Voltage dissipation	0.88 V (at 175 °C)

Connection data

Connection method	open cable end
-------------------	----------------

Dimensions

Dimensional drawing	
Width	38 mm
Height	11 mm
Length	100 mm

Material specifications

Color	black
Flammability rating according to UL 94	V0
Insulating material	PA
Contact surface	Silver Ag
Contact material	Cu alloy

PV-DB S20-2,5/0,8-2D - Photovoltaic connectors



1811239

<https://www.phoenixcontact.com/us/products/1811239>

Outer sheath, material	PE-X
------------------------	------

Cable/line

Cable length	0.8 m
Cable type	PV1-F cables
Structure of individual litz in acc. with VDE 0295 / smallest wire diameter	48 litz wires x 0.25 mm
External cable diameter	5.05 mm ... 5.35 mm
Outer sheath, material	PE-X
External sheath, color	black
Single wire, cross section	2.5 mm ² 2.5 mm ²
Material, inner sheath	PE-X
Thickness, insulation	20.80 mm
Smallest bending radius, fixed installation	21 mm
Smallest bending radius, movable installation	21 mm
Cable pull-out force	>= 80 N

Environmental and real-life conditions

Ambient conditions

Degree of protection	IP67
Ambient temperature (operation)	-40 °C ... 85 °C
Ambient temperature (assembly)	-25 °C ... 55 °C

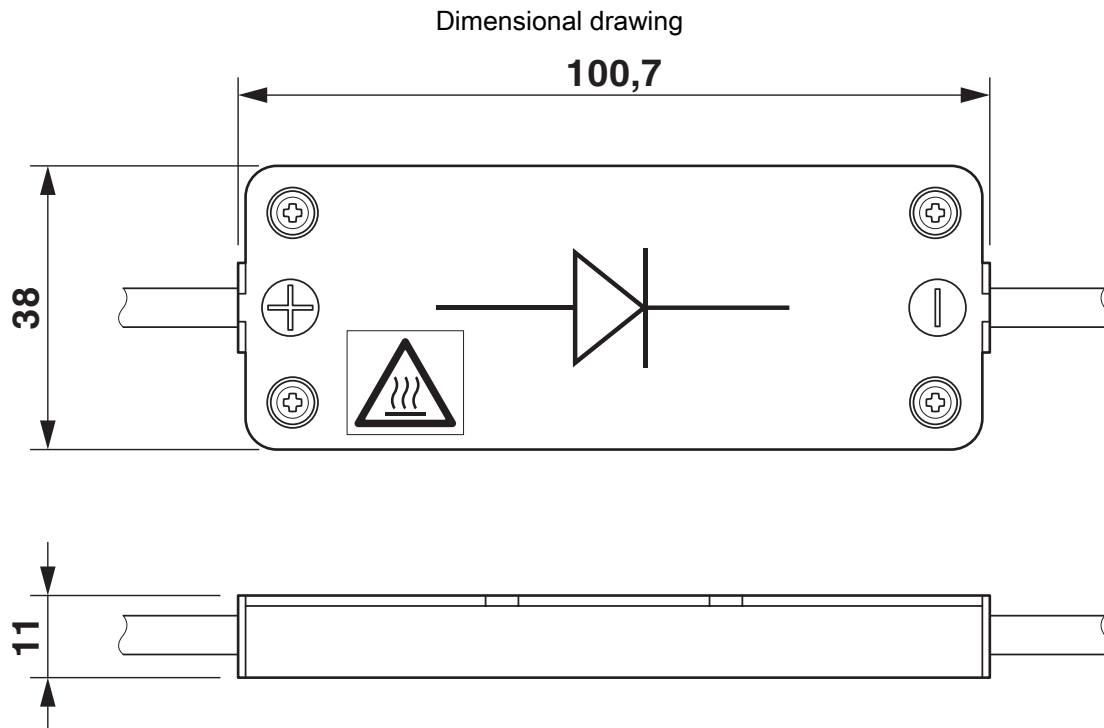
PV-DB S20-2,5/0,8-2D - Photovoltaic connectors



1811239

<https://www.phoenixcontact.com/us/products/1811239>

Drawings



PV-DB S20-2,5/0,8-2D - Photovoltaic connectors



1811239

<https://www.phoenixcontact.com/us/products/1811239>

Environmental product compliance

China RoHS

Environment friendly use period (EFUP)	EFUP-E
	No hazardous substances above the limits

EU REACH SVHC

REACH candidate substance (CAS No.)	No substance above 0.1 wt%
-------------------------------------	----------------------------

Phoenix Contact 2026 © - all rights reserved
<https://www.phoenixcontact.com>

Phoenix Contact USA
586 Fulling Mill Road
Middletown, PA 17057, United States
(+717) 944-1300
info@phoenixcon.com