

FKC 2,5/ 9-STF-5,08 EX - PCB connector



1796063

<https://www.phoenixcontact.com/us/products/1796063>

Please be informed that the data shown in this PDF document is generated from our online catalog. Please find the complete data in the user documentation. Our general terms of use for downloads are valid.



PCB connector, nominal cross section: 2.5 mm², color: green, nominal current: 12 A, contact surface: Sn, contact connection type: Socket, number of potentials: 9, number of rows: 1, number of positions: 9, number of connections: 9, product range: FKC 2,5/..-STF-EX, pitch: 5.08 mm, connection method: Push-in spring connection, conductor/PCB connection direction: 0 °, locking clip: - Locking clip, plug-in system: COMBICON MSTB 2,5 EX, locking: Screw locking mechanism, mounting method: Screw flange, type of packaging: packed in cardboard



Your advantages

- Satisfies the more stringent safety requirements of "Ex eb" protection according to IEC 60079-7 for potentially explosive areas
- Time saving push-in connection, tools not required
- Intuitive operation due to color-coded actuating push button
- Quick and convenient testing using integrated test option
- Can be combined with the MSTB 2,5 range
- Screwable flange for superior mechanical stability

Commercial data

| | |
|--------------------------------------|--------------------------------|
| Item number | 1796063 |
| Packing unit | 50 pc |
| Minimum order quantity | 50 pc |
| Note | Made to order (non-returnable) |
| Sales key | AA03 |
| Product key | AACFBF |
| GTIN | 4046356636070 |
| Weight per piece (including packing) | 17.3 g |
| Weight per piece (excluding packing) | 16.56 g |
| Customs tariff number | 85366990 |
| Country of origin | DE |

FKC 2,5/ 9-STF-5,08 EX - PCB connector



1796063

<https://www.phoenixcontact.com/us/products/1796063>

Technical data

Product properties

| | |
|-----------------------|-----------------------|
| Product type | PCB connector |
| Product family | FKC 2,5/...-STF-EX |
| Product line | COMBICON Connectors M |
| Type | Standard |
| Number of positions | 9 |
| Pitch | 5.08 mm |
| Number of connections | 9 |
| Number of rows | 1 |
| Number of potentials | 9 |
| Mounting type | Screw flange |

Electrical properties

Properties

| | |
|---|--------------------------|
| Nominal current I_N | 12 A |
| Nominal voltage U_N | 176 V |
| Rated current / conductor cross-section | 12 A/2.5 mm ² |

Ex data

Ex approval

| | |
|---------------------------------|---|
| Identification | 0344 [Ⓢ] II 2GD / Ex eb IIC Gb |
| EU-type examination certificate | KEMA 10ATEX0196 U |
| IECEX certificate | IECEX KEM 10.0093U |

Connection data

Connection technology

| | |
|-------------------------|----------------------|
| Type | Standard |
| Connector system | COMBICON MSTB 2,5 EX |
| Nominal cross section | 2.5 mm ² |
| Contact connection type | Socket |

Interlock

| | |
|-------------------|--|
| Locking type | Screw locking mechanism |
| Mounting type | Screw flange |
| Tightening torque | 0.25 Nm ... 0.3 Nm (In extreme climatic conditions, we recommend the minimum tightening torque.) |

Conductor connection

| | |
|------------------------------------|---|
| Connection method | Push-in spring connection |
| Conductor/PCB connection direction | 0 ° |
| Conductor cross-section rigid | 0.2 mm ² ... 2.5 mm ² |

FKC 2,5/ 9-STF-5,08 EX - PCB connector



1796063

<https://www.phoenixcontact.com/us/products/1796063>

| | |
|---|--|
| Conductor cross-section flexible | 0.2 mm ² ... 2.5 mm ² |
| Conductor cross-section AWG | 24 ... 12 |
| Conductor cross-section, flexible, with ferrule, without plastic sleeve | 0.25 mm ² ... 2.5 mm ² |
| Conductor cross-section, flexible, with ferrule, with plastic sleeve | 0.25 mm ² ... 2.5 mm ² |
| 2 conductors with the same cross section, flexible, with TWIN ferrule with plastic sleeve | 0.5 mm ² ... 1.5 mm ² |
| Stripping length | 10 mm |

Specifications for ferrules without insulating collar

| | |
|---------------------------|--------------------|
| recommended crimping tool | 1212034 CRIMPFOX 6 |
|---------------------------|--------------------|

Specifications for ferrules with insulating collar

| | |
|---------------------------|--------------------|
| recommended crimping tool | 1212034 CRIMPFOX 6 |
|---------------------------|--------------------|

Material specifications

Material data - contact

| | |
|--|--|
| Note | WEEE/RoHS-compliant, free of whiskers according to IEC 60068-2-82/JEDEC JESD 201 |
| Contact material | Cu alloy |
| Surface characteristics | hot-dip tin-plated |
| Metal surface terminal point (top layer) | Tin (4 µm - 8 µm Sn) |
| Metal surface contact area (top layer) | Tin (4 µm - 8 µm Sn) |

Material data - housing

| | |
|---|--------------|
| Color (Housing) | green (6021) |
| Insulating material | PA |
| Insulating material group | I |
| CTI according to IEC 60112 | 600 |
| Flammability rating according to UL 94 | V0 |
| Glow wire flammability index GWFI according to EN 60695-2-12 | 850 |
| Glow wire ignition temperature GWIT according to EN 60695-2-13 | 775 |
| Temperature for the ball pressure test according to EN 60695-10-2 | 125 °C |

Material data – actuating element

| | |
|--|---------------|
| Color (Actuating element) | orange (2003) |
| Insulating material | PBT |
| Insulating material group | I |
| CTI according to IEC 60112 | 600 |
| Flammability rating according to UL 94 | V0 |

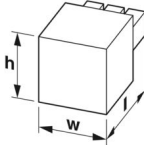
Dimensions

FKC 2,5/ 9-STF-5,08 EX - PCB connector



1796063

<https://www.phoenixcontact.com/us/products/1796063>

| | | |
|---------------------|--|--|
| Dimensional drawing | |  |
| Pitch | | 5.08 mm |
| Width [w] | | 55.82 mm |
| Height [h] | | 15 mm |
| Length [l] | | 25.73 mm |

Mounting

Flange

| | |
|-------------------|--|
| Tightening torque | 0.25 Nm ... 0.3 Nm (In extreme climatic conditions, we recommend the minimum tightening torque.) |
|-------------------|--|

Notes

| | |
|--------------------|--|
| Notes on operation | In accordance with IEC 61984, COMBICON connectors have no switching power (COC). During designated use, they must not be plugged in or disconnected when carrying voltage or under load. |
|--------------------|--|

Environmental and real-life conditions

Ambient conditions

| | |
|---------------------------------------|---------------|
| Relative humidity (storage/transport) | 30 % ... 70 % |
|---------------------------------------|---------------|

Packaging specifications

| | |
|-------------------|---------------------|
| Type of packaging | packed in cardboard |
|-------------------|---------------------|

FKC 2,5/ 9-STF-5,08 EX - PCB connector



1796063

<https://www.phoenixcontact.com/us/products/1796063>

Approvals

To download certificates, visit the product detail page: <https://www.phoenixcontact.com/us/products/1796063>

|  ATEX Approval ID: KEMA 10ATEX0196 U | | | | |
|---|-----------------------|-----------------------|-------------------|-----------------------------|
| | Nominal voltage U_N | Nominal current I_N | Cross section AWG | Cross section mm^2 |
| keine | | | | |
| | 176 V | 12 A | - | 0.2 - 2.5 |

|  IECEX Approval ID: IECEx KEM 10.0093U | | | | |
|---|-----------------------|-----------------------|-------------------|-----------------------------|
| | Nominal voltage U_N | Nominal current I_N | Cross section AWG | Cross section mm^2 |
| keine | | | | |
| | 176 V | 12 A | - | 0.2 - 2.5 |

|  CCC Approval ID: 2021122313114375 | | | | |
|---|--|--|--|--|
|---|--|--|--|--|

FKC 2,5/ 9-STF-5,08 EX - PCB connector



1796063

<https://www.phoenixcontact.com/us/products/1796063>

Classifications

ECLASS

| | |
|-------------|----------|
| ECLASS-13.0 | 27460202 |
| ECLASS-15.0 | 27460202 |

ETIM

| | |
|-----------|----------|
| ETIM 10.0 | EC002638 |
|-----------|----------|

UNSPSC

| | |
|-------------|----------|
| UNSPSC 21.0 | 39121400 |
|-------------|----------|

FKC 2,5/ 9-STF-5,08 EX - PCB connector



1796063

<https://www.phoenixcontact.com/us/products/1796063>

Environmental product compliance

EU RoHS

| | |
|---|--------------------|
| Fulfills EU RoHS substance requirements | Yes, No exemptions |
|---|--------------------|

China RoHS

| | |
|--|--|
| Environment friendly use period (EFUP) | EFUP-E |
| | No hazardous substances above the limits |

EU REACH SVHC

| | |
|-------------------------------------|----------------------------|
| REACH candidate substance (CAS No.) | No substance above 0.1 wt% |
|-------------------------------------|----------------------------|

EF3.1 Climate Change

| | |
|---------|---------------|
| CO2e kg | 0.107 kg CO2e |
|---------|---------------|

Phoenix Contact 2026 © - all rights reserved
<https://www.phoenixcontact.com>

Phoenix Contact USA
586 Fulling Mill Road
Middletown, PA 17057, United States
(+717) 944-1300
info@phoenixcon.com