

PV-YC 6/ 1-0,12-SO3 (+/--) - Photovoltaic Y distributor



1787739

<https://www.phoenixcontact.com/us/products/1787739>

Please be informed that the data shown in this PDF document is generated from our online catalog. Please find the complete data in the user documentation. Our general terms of use for downloads are valid.

Photovoltaic Y distributor, Range of articles: SUNCLIX, housing material: PPE, color: black



Commercial data

Item number	1787739
Packing unit	1 pc
Note	Made to order (non-returnable)
Sales key	AB02
Product key	ABLBCX
GTIN	4046356607346
Weight per piece (including packing)	85 g
Weight per piece (excluding packing)	85 g
Customs tariff number	85446010
Country of origin	DE

PV-YC 6/ 1-0,12-SO3 (+/--) - Photovoltaic Y distributor



1787739

<https://www.phoenixcontact.com/us/products/1787739>

Technical data

Product properties

Product type	Photovoltaic connectors
Product family	SUNCLIX

Insulation characteristics

Protection class	II
------------------	----

Electrical properties

Rated voltage (III/2)	1100 V
Rated surge voltage (III/2)	12 kV
Contact resistance	0.45 mΩ

Material specifications

Color	black
Color of the housing part	black
Flammability rating according to UL 94	V0
Seal material	EPDM
Insulating material	mPPE
Contact surface	Silver Ag
Housing material	PPE
Contact material	Cu
Contact surface material	Ag
O-ring material	EPDM
Material for screw connection	PPE

Cable/line

Cable type	PV1-F cables
Cable pull-out force	> 330 N
Halogen-free	yes

Environmental and real-life conditions

Ambient conditions

Degree of protection (when plugged in)	IP66/IP68 (2 m / 24 h)
Degree of protection	IP66/IP68 (2 m / 24 h)
Ambient temperature (operation) (male connector/female connector)	-40 °C ... 85 °C
Ambient temperature (assembly)	-25 °C ... 50 °C

Standards and regulations

Connection in acc. with standard	DIN EN 50521 (in accordance with)
----------------------------------	-----------------------------------

PV-YC 6/ 1-0,12-SO3 (+/--) - Photovoltaic Y distributor

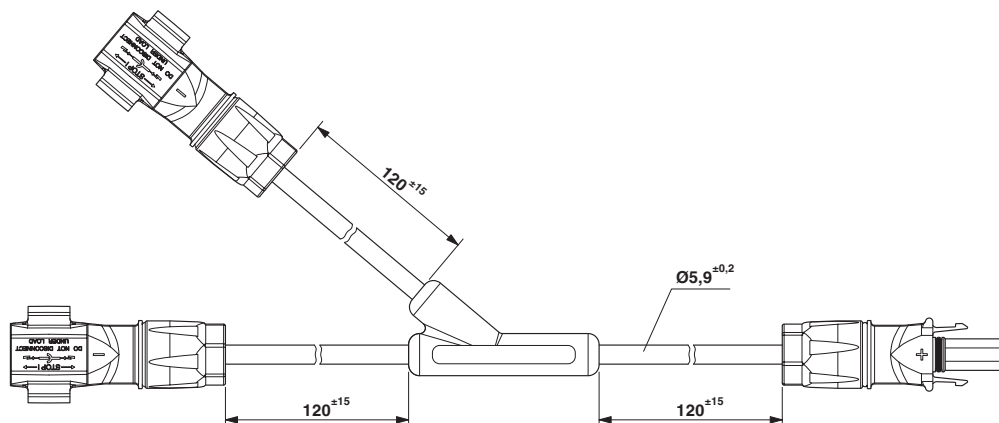


1787739

<https://www.phoenixcontact.com/us/products/1787739>

Drawings

Dimensional drawing



PV-YC 6/ 1-0,12-SO3 (+/--) - Photovoltaic Y distributor



1787739

<https://www.phoenixcontact.com/us/products/1787739>

Classifications

ECLASS

ECLASS-13.0	27060327
ECLASS-15.0	27060327

1787739

<https://www.phoenixcontact.com/us/products/1787739>

Environmental product compliance

EU RoHS

Fulfills EU RoHS substance requirements	Yes, No exemptions
-----------------------------------------	--------------------

China RoHS

Environment friendly use period (EFUP)	EFUP-E
	No hazardous substances above the limits

EU REACH SVHC

REACH candidate substance (CAS No.)	No substance above 0.1 wt%
-------------------------------------	----------------------------

Phoenix Contact 2026 © - all rights reserved
<https://www.phoenixcontact.com>

Phoenix Contact USA
586 Fulling Mill Road
Middletown, PA 17057, United States
(+717) 944-1300
info@phoenixcon.com