

# PV-YC 6/ 1-0,12-SO3 (-/++) - Photovoltaic Y-distributor



1787726

<https://www.phoenixcontact.com/us/products/1787726>

Please be informed that the data shown in this PDF document is generated from our online catalog. Please find the complete data in the user documentation. Our general terms of use for downloads are valid.

Photovoltaic Y-distributor, Range of articles: SUNCLIX, housing material: PPE, color: black



## Commercial data

Item number	1787726
Packing unit	1 pc
Note	Made to order (non-returnable)
Sales key	AB02
Product key	ABLBCX
GTIN	4046356607353
Weight per piece (including packing)	80.77 g
Weight per piece (excluding packing)	80.77 g
Customs tariff number	85446010
Country of origin	DE

# PV-YC 6/ 1-0,12-SO3 (-/++) - Photovoltaic Y-distributor



1787726

<https://www.phoenixcontact.com/us/products/1787726>

## Technical data

### Product properties

Product type	Photovoltaic connectors
Product family	SUNCLIX

### Insulation characteristics

Protection class	II
------------------	----

### Electrical properties

Rated voltage (III/2)	1100 V
Rated surge voltage (III/2)	12 kV
Contact resistance	0.45 mΩ

### Material specifications

Color	black
Color of the housing part	black
Flammability rating according to UL 94	V0
Seal material	EPDM
Insulating material	mPPE
Contact surface	Silver Ag
Housing material	PPE
Contact material	Cu
Contact surface material	Ag
O-ring material	EPDM
Material for screw connection	PPE

### Cable/line

Cable type	PV1-F cables
Cable pull-out force	> 330 N
Halogen-free	yes

### Environmental and real-life conditions

#### Ambient conditions

Degree of protection (when plugged in)	IP66/IP68 (2 m / 24 h)
Degree of protection	IP66/IP68 (2 m / 24 h)
Ambient temperature (operation) (male connector/female connector)	-40 °C ... 85 °C
Ambient temperature (assembly)	-25 °C ... 50 °C

### Standards and regulations

Connection in acc. with standard	DIN EN 50521 (in accordance with)
----------------------------------	-----------------------------------

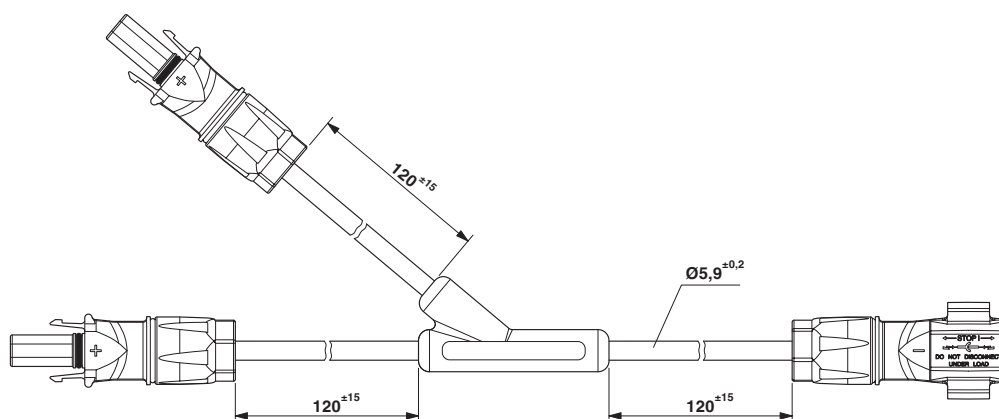
# PV-YC 6/ 1-0,12-SO3 (-/+)- Photovoltaic Y-distributor

1787726

<https://www.phoenixcontact.com/us/products/1787726>

## Drawings

Dimensional drawing



1787726

<https://www.phoenixcontact.com/us/products/1787726>

## Classifications

### ECLASS

ECLASS-13.0	27060327
ECLASS-15.0	27060327

### ETIM

ETIM 9.0	EC001855
----------	----------

# PV-YC 6/ 1-0,12-SO3 (-/++) - Photovoltaic Y-distributor



1787726

<https://www.phoenixcontact.com/us/products/1787726>

## Environmental product compliance

### EU RoHS

Fulfills EU RoHS substance requirements	Yes, No exemptions
---	--------------------

### China RoHS

Environment friendly use period (EFUP)	EFUP-E
	No hazardous substances above the limits

### EU REACH SVHC

REACH candidate substance (CAS No.)	No substance above 0.1 wt%
-------------------------------------	----------------------------

Phoenix Contact 2026 © - all rights reserved  
<https://www.phoenixcontact.com>

Phoenix Contact USA  
586 Fulling Mill Road  
Middletown, PA 17057, United States  
(+717) 944-1300  
[info@phoenixcon.com](mailto:info@phoenixcon.com)