

KGS-MSTB 2,5/ 8 - Cable housing

1783779

<https://www.phoenixcontact.com/us/products/1783779>

Please be informed that the data shown in this PDF document is generated from our online catalog. Please find the complete data in the user documentation. Our general terms of use for downloads are valid.

Cable housing, product range: KGS-MSTB 2,5, width: 19.8 mm



Commercial data

Item number	1783779
Packing unit	10 pc
Minimum order quantity	10 pc
Sales key	AA08
Product key	AAHZDD
GTIN	4017918041960
Weight per piece (including packing)	15.15 g
Weight per piece (excluding packing)	14.42 g
Customs tariff number	39269097
Country of origin	PL

KGS-MSTB 2,5/ 8 - Cable housing

1783779

<https://www.phoenixcontact.com/us/products/1783779>

Technical data

Product properties

Product type	Cable housing
Product family	KGS-MSTB 2,5
Number of positions	8
Pitch	0 mm

Mounting

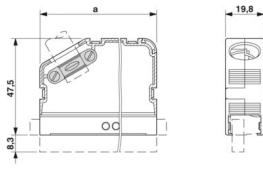
Cable clamp

Tightening torque	0.3 Nm
-------------------	--------

Material specifications

Insulating material	ABS
Insulating material group	I
CTI according to IEC 60112	600
Flammability rating according to UL 94	HB

Dimensions

Dimensional drawing	
Width	19.8 mm
Height	55.8 mm
Pitch	-

KGS-MSTB 2,5/ 8 - Cable housing

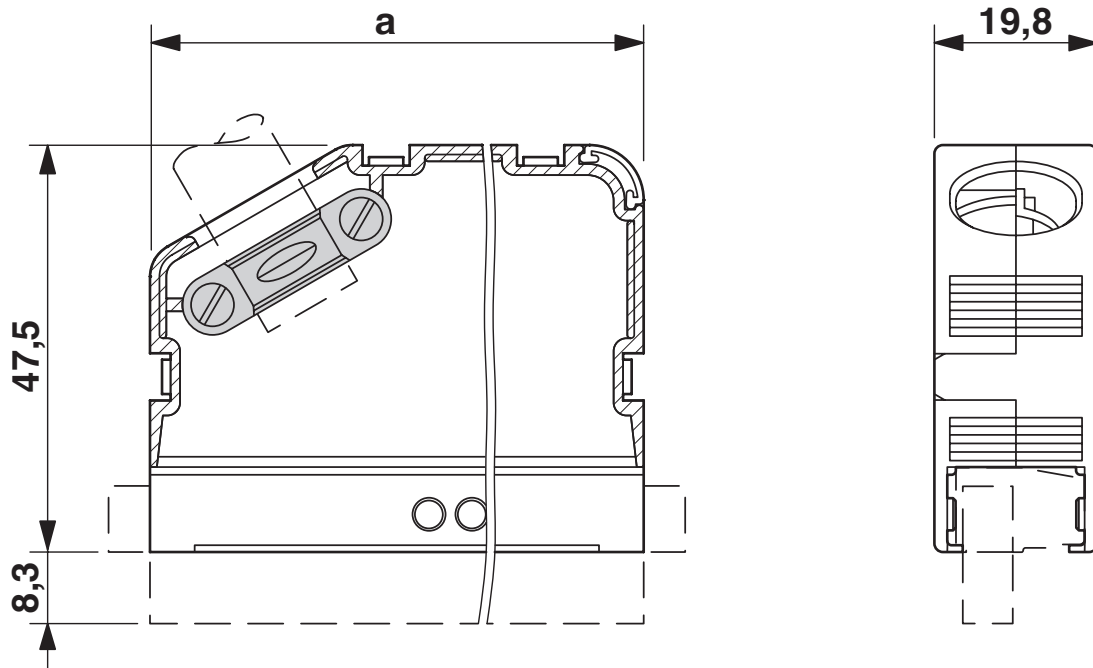
1783779

<https://www.phoenixcontact.com/us/products/1783779>



Drawings

Dimensional drawing



KGS-MSTB 2,5/ 8 - Cable housing



1783779

<https://www.phoenixcontact.com/us/products/1783779>

Classifications

ECLASS

ECLASS-13.0	27460402
ECLASS-15.0	27460402

ETIM

ETIM 10.0	EC002943
-----------	----------

UNSPSC

UNSPSC 21.0	39121400
-------------	----------

KGS-MSTB 2,5/ 8 - Cable housing



1783779

<https://www.phoenixcontact.com/us/products/1783779>

Environmental product compliance

EU RoHS

Fulfills EU RoHS substance requirements	Yes, No exemptions
---	--------------------

China RoHS

Environment friendly use period (EFUP)	EFUP-E
	No hazardous substances above the limits

EU REACH SVHC

REACH candidate substance (CAS No.)	No substance above 0.1 wt%
-------------------------------------	----------------------------

Phoenix Contact 2026 © - all rights reserved
<https://www.phoenixcontact.com>

Phoenix Contact USA
586 Fulling Mill Road
Middletown, PA 17057, United States
(+717) 944-1300
info@phoenixcon.com