

# HC-D 50-TFQ-76/M1PG21G - Housing



1775800

<https://www.phoenixcontact.com/us/products/1775800>

Please be informed that the data shown in this PDF document is generated from our online catalog. Please find the complete data in the user documentation. Our general terms of use for downloads are valid.



Sleeve housing, for double locking latch, height 76 mm, with screw connection, 1x Pg21, straight cable entry

## Commercial data

Item number	1775800
Packing unit	1 pc
Note	Made to order (non-returnable)
Sales key	BF55
Product key	AF7AAE
GTIN	4017918038359
Weight per piece (including packing)	320.07 g
Weight per piece (excluding packing)	320.07 g
Customs tariff number	85389099
Country of origin	DE

# HC-D 50-TFQ-76/M1PG21G - Housing

1775800

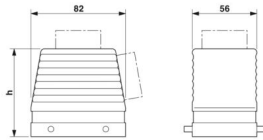
<https://www.phoenixcontact.com/us/products/1775800>

## Technical data

### Product properties

Product type	Housing with locking latch
Housing type	Sleeve housing
Application	Standard
Type	D50
No. of cable outlets	1
Type of the screw connection	1x Pg21
Shielded	no
Cable outlet	straight
Pg screw connection	with

### Dimensions

Dimensional drawing	
Width	56 mm
Height	76 mm
Length	82 mm
Wrench size, union nut	28 mm

### Material specifications

Material Screw connection	Brass, nickel-plated
Seal material Cable seal	NBR
Housing material	Die-cast aluminum
Housing surface material	Powder-coated, gray

### Mechanical properties

#### Mechanical data

Type of the screw connection	1x Pg21
Locking type	Pin

### Cable/line

External cable diameter Cable 1	10 mm ... 19 mm
---------------------------------	-----------------

### Connection data

External cable diameter	10 mm ... 19 mm
-------------------------	-----------------

### Environmental and real-life conditions

#### Ambient conditions

# HC-D 50-TFQ-76/M1PG21G - Housing



1775800

<https://www.phoenixcontact.com/us/products/1775800>

Degree of protection	IP65
Ambient temperature (operation)	-40 °C ... 125 °C

# HC-D 50-TFQ-76/M1PG21G - Housing

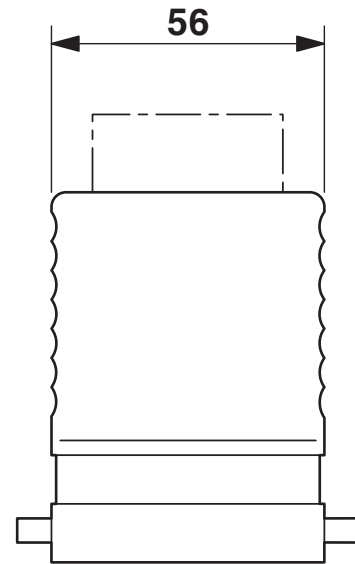
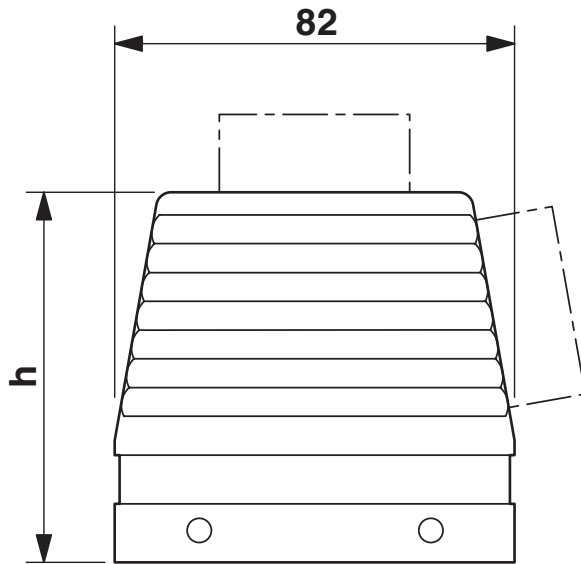


1775800

<https://www.phoenixcontact.com/us/products/1775800>

## Drawings

Dimensional drawing



Dimensional drawing

# HC-D 50-TFQ-76/M1PG21G - Housing



1775800

<https://www.phoenixcontact.com/us/products/1775800>

## Classifications

### ECLASS

ECLASS-13.0	27440202
ECLASS-15.0	27440202

# HC-D 50-TFQ-76/M1PG21G - Housing



1775800

<https://www.phoenixcontact.com/us/products/1775800>

## Environmental product compliance

### EU RoHS

Fulfills EU RoHS substance requirements	Yes, No exemptions
---	--------------------

### China RoHS

Environment friendly use period (EFUP)	EFUP-E
	No hazardous substances above the limits

### EU REACH SVHC

REACH candidate substance (CAS No.)	No substance above 0.1 wt%
-------------------------------------	----------------------------

Phoenix Contact 2026 © - all rights reserved  
<https://www.phoenixcontact.com>

Phoenix Contact USA  
586 Fulling Mill Road  
Middletown, PA 17057, United States  
(+717) 944-1300  
[info@phoenixcon.com](mailto:info@phoenixcon.com)