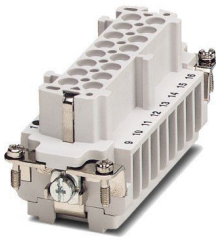


HC-B 16-EBUS 32 - Contact insert

1775619

<https://www.phoenixcontact.com/us/products/1775619>

Please be informed that the data shown in this PDF document is generated from our online catalog. Please find the complete data in the user documentation. Our general terms of use for downloads are valid.



HEAVYCON female insert, B16 series, 16-pos., screw connection, numbering 17 ...
32

The figure shows version HC-B 16-EBUS

Commercial data

Item number	1775619
Packing unit	1 pc
Note	Made to order (non-returnable)
Sales key	BF61
Product key	AF7ABC
GTIN	4017918038199
Weight per piece (including packing)	115.46 g
Weight per piece (excluding packing)	99.3 g
Customs tariff number	85366990
Country of origin	DE

HC-B 16-EBUS 32 - Contact insert



1775619

<https://www.phoenixcontact.com/us/products/1775619>

Technical data

Mounting

Assembly note	For housings of type B16/B32. Connectors may only be actuated when there is no load/voltage.
---------------	--

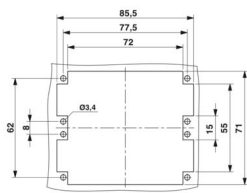
Product properties

Product type	Contact insert with a fixed no. of positions
Type	B16
Number of positions	16
Connection profile	16+PE
Contact numbering	17 - 32

Insulation characteristics

Overvoltage category	III
Degree of pollution	3

Dimensions

Dimensional drawing	
Width	34 mm
Height	37.5 mm
Length	84.5 mm

Connection data

Connection technology

Connection technology	Screw connection
Connection in acc. with standard	IEC / EN

Conductor connection

Conductor cross-section	0.5 mm ² ... 2.5 mm ² (applies to stranded conductors with ferrules) 0.5 mm ² ... 4 mm ² (PE screw)
Connection cross section AWG	20 ... 14 20 ... 12 (PE screw)
Tightening torque	0.5 Nm
Stripping length of the individual wire	7 mm

Electrical properties

Rated voltage (III/3)	500 V
Rated surge voltage	6 kV

HC-B 16-EBUS 32 - Contact insert



1775619

<https://www.phoenixcontact.com/us/products/1775619>

Rated current	16 A
---------------	------

Mechanical properties

Mechanical data

Insertion/withdrawal cycles	≥ 500
-----------------------------	-------

Material specifications

Flammability rating according to UL 94	V0
Contact material	Copper alloy
Contact surface material	Ag
Contact carrier material	PA

Environmental and real-life conditions

Ambient conditions

Ambient temperature (operation)	-40 °C ... 125 °C (including heating up of contacts)
---------------------------------	--

Standards and regulations

Constructional and testing regulations	DIN VDE 0627/86
	DIN VDE 0110/02.79
	DIN VDE 0110-1/04.97
	IEC 60664-1, DIN IEC 60512
	IEC 60352
Tests	DIN VDE 0627/86
	DIN VDE 0110/02.79
	DIN VDE 0110-1/04.97
	IEC 60664-1, DIN IEC 60512
	IEC 60352

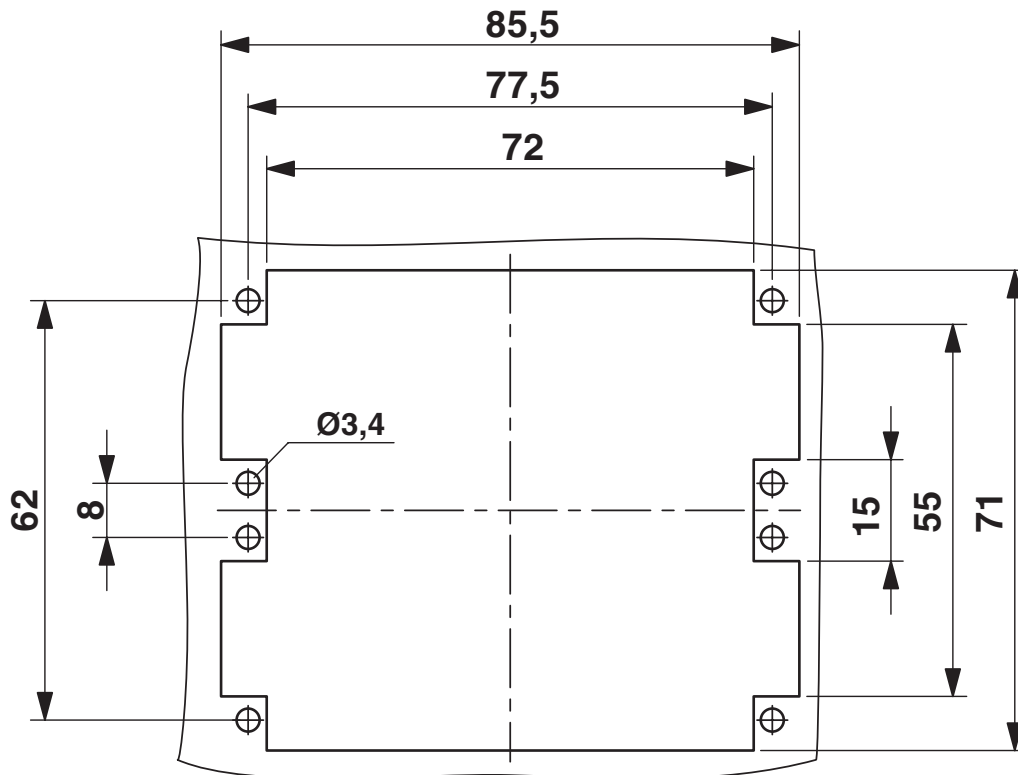
HC-B 16-EBUS 32 - Contact insert

1775619

<https://www.phoenixcontact.com/us/products/1775619>

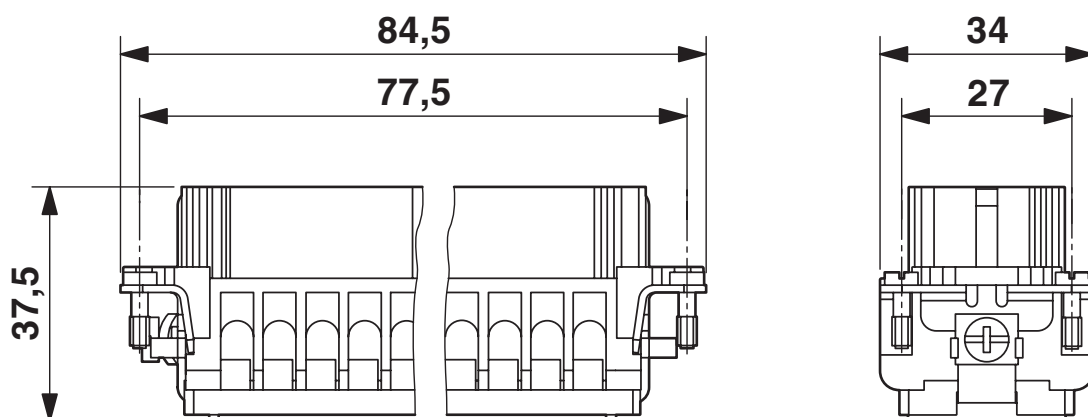
Drawings

Dimensional drawing



Mounting cutout

Dimensional drawing



Female insert

HC-B 16-EBUS 32 - Contact insert

1775619

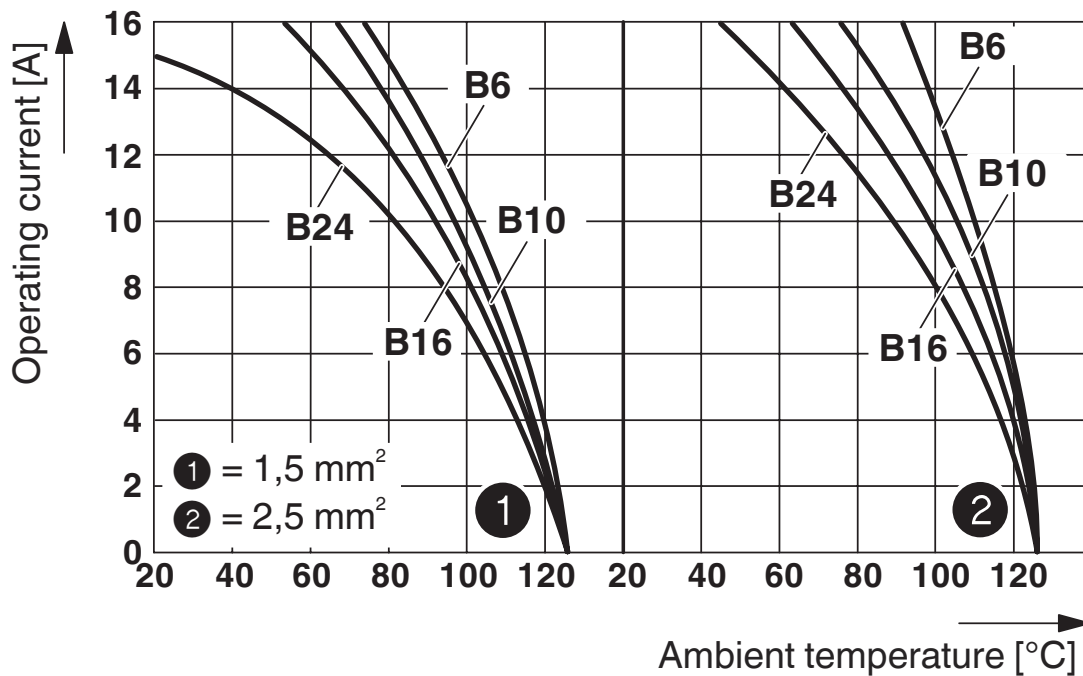
<https://www.phoenixcontact.com/us/products/1775619>

Schematic diagram



Connector pin assignment, connection side

Diagram



Derating diagram: Series HC-B...S / HC-B...C

HC-B 16-EBUS 32 - Contact insert



1775619

<https://www.phoenixcontact.com/us/products/1775619>

Classifications

ECLASS

ECLASS-13.0	27440205
ECLASS-15.0	27440205

HC-B 16-EBUS 32 - Contact insert



1775619

<https://www.phoenixcontact.com/us/products/1775619>

Environmental product compliance

China RoHS

Environment friendly use period (EFUP)	EFUP-E
	No hazardous substances above the limits

EU REACH SVHC

REACH candidate substance (CAS No.)	No substance above 0.1 wt%
-------------------------------------	----------------------------

Phoenix Contact 2026 © - all rights reserved
<https://www.phoenixcontact.com>

Phoenix Contact USA
586 Fulling Mill Road
Middletown, PA 17057, United States
(+717) 944-1300
info@phoenixcon.com