

# HC-B 16-ADP/2 DSUB 37 - Adapter plate

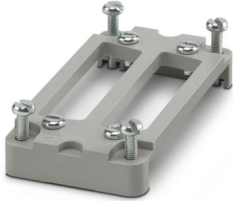


1775525

<https://www.phoenixcontact.com/us/products/1775525>

Please be informed that the data shown in this PDF document is generated from our online catalog. Please find the complete data in the user documentation. Our general terms of use for downloads are valid.

D-SUB adapter plate, for two D-SUB connectors, no. of positions 37, housing series HC-B 16...



## Product description

Adapter plate, incl. mounting screws

## Commercial data

Item number	1775525
Packing unit	2 pc
Minimum order quantity	2 pc
Note	Made to order (non-returnable)
Sales key	BF66
Product key	AF7AZD
GTIN	4017918038120
Weight per piece (including packing)	15.5 g
Weight per piece (excluding packing)	14 g
Customs tariff number	39269097
Country of origin	DE

# HC-B 16-ADP/2 DSUB 37 - Adapter plate

1775525

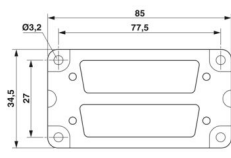
<https://www.phoenixcontact.com/us/products/1775525>

## Technical data

### Product properties

Product type	Adapter plate
Type	B16
Number of positions	37
Seal present	no

### Dimensions

Dimensional drawing	
Width	34.5 mm
Height	10 mm
Length	85 mm

### Material specifications

Material	PA
Flammability rating according to UL 94	HB

### Environmental and real-life conditions

#### Ambient conditions

Ambient temperature (operation)	-20 °C ... 100 °C
---------------------------------	-------------------

### Mounting

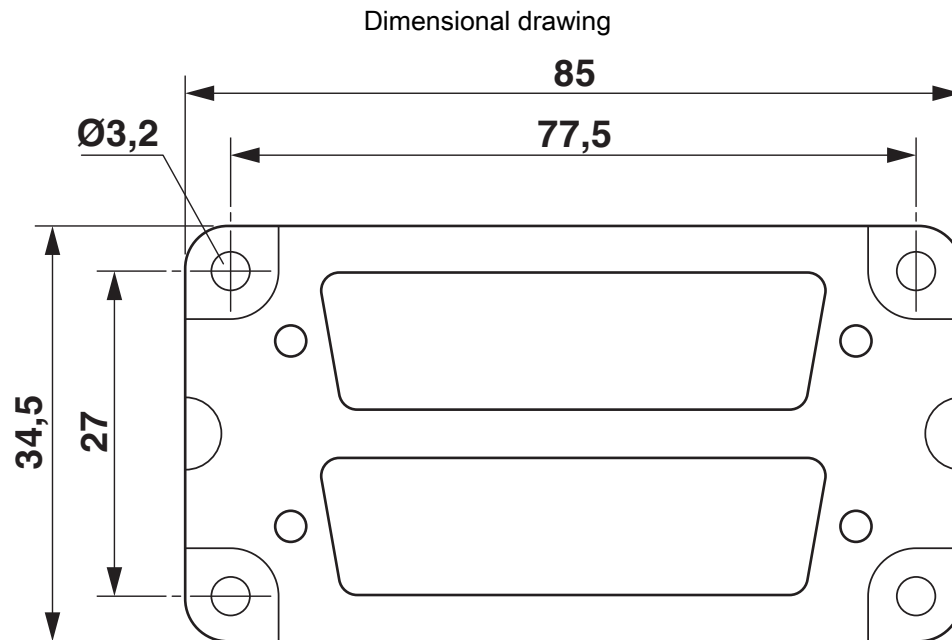
Assembly note	<p>Mounting screws: 1) slotted self-tapping screw 2.9 x 6.5 DIN 7971 2) M3 x 14 slotted DIN 84</p> <p>Mounting position of the adapter plate in the sleeve housing: <b>T</b> is visible after mounting in the housing. Mounting position of the adapter plate in the panel mounting base/socket housing/coupling housing: <b>A</b> is visible after mounting in the housing. Mounting position of the D-SUB (after mounting in the housing): in front of the mounting panel (front mounting)</p>
---------------	--

# HC-B 16-ADP/2 DSUB 37 - Adapter plate

1775525

<https://www.phoenixcontact.com/us/products/1775525>

## Drawings



See assembly instruction

# HC-B 16-ADP/2 DSUB 37 - Adapter plate



1775525

<https://www.phoenixcontact.com/us/products/1775525>

## Approvals

To download certificates, visit the product detail page: <https://www.phoenixcontact.com/us/products/1775525>



**EAC**

Approval ID: RU C-DE.AI30.B.01102

# HC-B 16-ADP/2 DSUB 37 - Adapter plate



1775525

<https://www.phoenixcontact.com/us/products/1775525>

## Classifications

### ECLASS

ECLASS-13.0	27440201
ECLASS-15.0	27440201

### ETIM

ETIM 10.0	EC002309
-----------	----------

### UNSPSC

UNSPSC 21.0	31261500
-------------	----------

# HC-B 16-ADP/2 DSUB 37 - Adapter plate



1775525

<https://www.phoenixcontact.com/us/products/1775525>

## Environmental product compliance

### EU RoHS

Fulfills EU RoHS substance requirements	Yes
Exemption	6(a), 6(a)-I

### China RoHS

Environment friendly use period (EFUP)	EFUP-50
	An article-related China RoHS declaration table can be found in the download area for the respective article under "Manufacturer declaration". For all articles with EFUP-E, no China RoHS declaration table issued and required.

### EU REACH SVHC

REACH candidate substance (CAS No.)	Lead(CAS: 7439-92-1)
SCIP	14e3e044-bf43-4e70-9bce-fd9cb6f08c11

Phoenix Contact 2026 © - all rights reserved

<https://www.phoenixcontact.com>

Phoenix Contact USA  
586 Fulling Mill Road  
Middletown, PA 17057, United States  
(+717) 944-1300  
[info@phoenixcon.com](mailto:info@phoenixcon.com)