

HC-B 10-ADP/2 DSUB 25 - Adapter plate

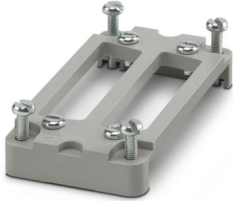


1775509

<https://www.phoenixcontact.com/us/products/1775509>

Please be informed that the data shown in this PDF document is generated from our online catalog. Please find the complete data in the user documentation. Our general terms of use for downloads are valid.

D-SUB adapter plate, for two D-SUB connectors, no. of positions 25, housing series HC-B 10...



Commercial data

Item number	1775509
Packing unit	2 pc
Minimum order quantity	2 pc
Sales key	BF66
Product key	AF7AZD
GTIN	4017918038106
Weight per piece (including packing)	13.6 g
Weight per piece (excluding packing)	11.52 g
Customs tariff number	39269097
Country of origin	DE

HC-B 10-ADP/2 DSUB 25 - Adapter plate

1775509

<https://www.phoenixcontact.com/us/products/1775509>

Technical data

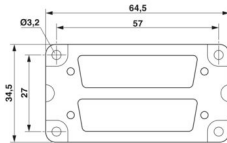
Notes

General	For housing HC-B10
---------	--------------------

Product properties

Product type	Adapter plate
Type	B10
Number of positions	25
Seal present	no

Dimensions

Dimensional drawing	
Width	34.5 mm
Height	10 mm
Length	64.5 mm

Material specifications

Material	PA
Flammability rating according to UL 94	HB

Environmental and real-life conditions

Ambient conditions

Ambient temperature (operation)	-20 °C ... 100 °C
---------------------------------	-------------------

Mounting

Assembly note	Mounting position of the adapter plate in the sleeve housing: T is visible after mounting in the housing. Mounting position of the adapter plate in the panel mounting base/socket housing/coupling housing: A is visible after mounting in the housing. Mounting position of the D-SUB (after mounting in the housing): in front of the mounting panel (front mounting)
---------------	--

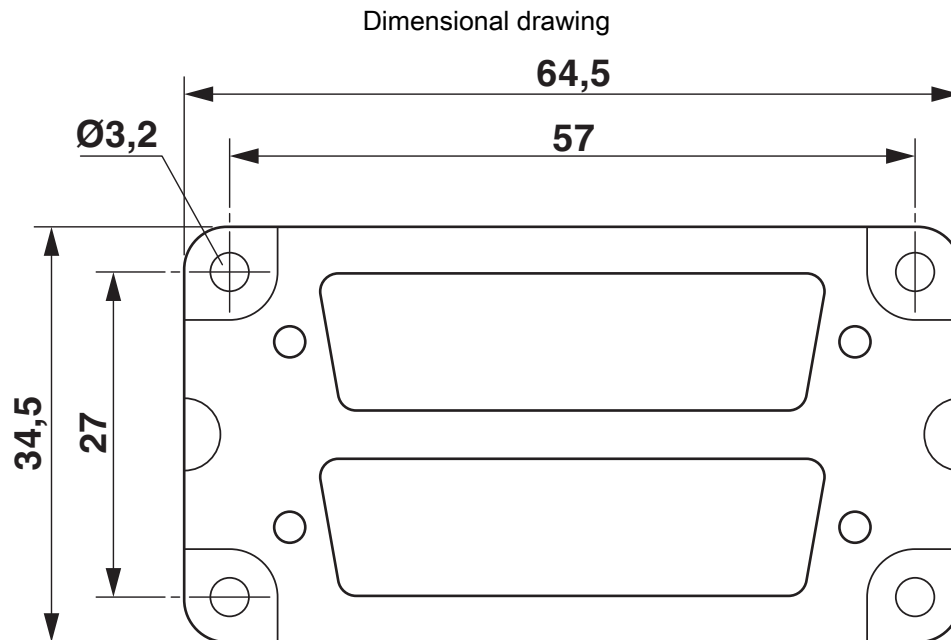
HC-B 10-ADP/2 DSUB 25 - Adapter plate



1775509

<https://www.phoenixcontact.com/us/products/1775509>

Drawings



See assembly instruction

HC-B 10-ADP/2 DSUB 25 - Adapter plate



1775509

<https://www.phoenixcontact.com/us/products/1775509>

Approvals

To download certificates, visit the product detail page: <https://www.phoenixcontact.com/us/products/1775509>



EAC

Approval ID: RU C-DE.AI30.B.01102

HC-B 10-ADP/2 DSUB 25 - Adapter plate



1775509

<https://www.phoenixcontact.com/us/products/1775509>

Classifications

ECLASS

ECLASS-13.0	27440201
ECLASS-15.0	27440201

ETIM

ETIM 10.0	EC002309
-----------	----------

UNSPSC

UNSPSC 21.0	31261500
-------------	----------

HC-B 10-ADP/2 DSUB 25 - Adapter plate



1775509

<https://www.phoenixcontact.com/us/products/1775509>

Environmental product compliance

EU RoHS

Fulfills EU RoHS substance requirements	Yes
Exemption	6(a), 6(a)-I

China RoHS

Environment friendly use period (EFUP)	EFUP-50
	An article-related China RoHS declaration table can be found in the download area for the respective article under "Manufacturer declaration". For all articles with EFUP-E, no China RoHS declaration table issued and required.

EU REACH SVHC

REACH candidate substance (CAS No.)	Lead(CAS: 7439-92-1)
SCIP	1c4c9aaa-9569-4d6c-a682-9338f636edea

Phoenix Contact 2026 © - all rights reserved

<https://www.phoenixcontact.com>

Phoenix Contact USA
586 Fulling Mill Road
Middletown, PA 17057, United States
(+717) 944-1300
info@phoenixcon.com