

HC-B 6-ADP/2 DSUB 15 - Adapter plate



1775486

<https://www.phoenixcontact.com/us/products/1775486>

Please be informed that the data shown in this PDF document is generated from our online catalog. Please find the complete data in the user documentation. Our general terms of use for downloads are valid.

D-SUB adapter plate, for two D-SUB connectors, no. of positions 15, housing series HC-B 6...



Commercial data

Item number	1775486
Packing unit	2 pc
Minimum order quantity	2 pc
Note	Made to order (non-returnable)
Sales key	BF66
Product key	AF7AZD
GTIN	4017918038083
Weight per piece (including packing)	13.3 g
Weight per piece (excluding packing)	11.5 g
Customs tariff number	39269097
Country of origin	DE

HC-B 6-ADP/2 DSUB 15 - Adapter plate

1775486

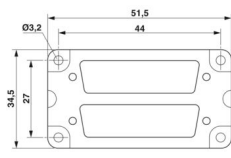
<https://www.phoenixcontact.com/us/products/1775486>

Technical data

Product properties

Product type	Adapter plate
Type	B6
Number of positions	15
Seal present	no

Dimensions

Dimensional drawing	
Width	34.5 mm
Height	10 mm
Length	51.5 mm

Material specifications

Material	PA
Flammability rating according to UL 94	HB

Environmental and real-life conditions

Ambient conditions

Ambient temperature (operation)	-20 °C ... 100 °C
---------------------------------	-------------------

Mounting

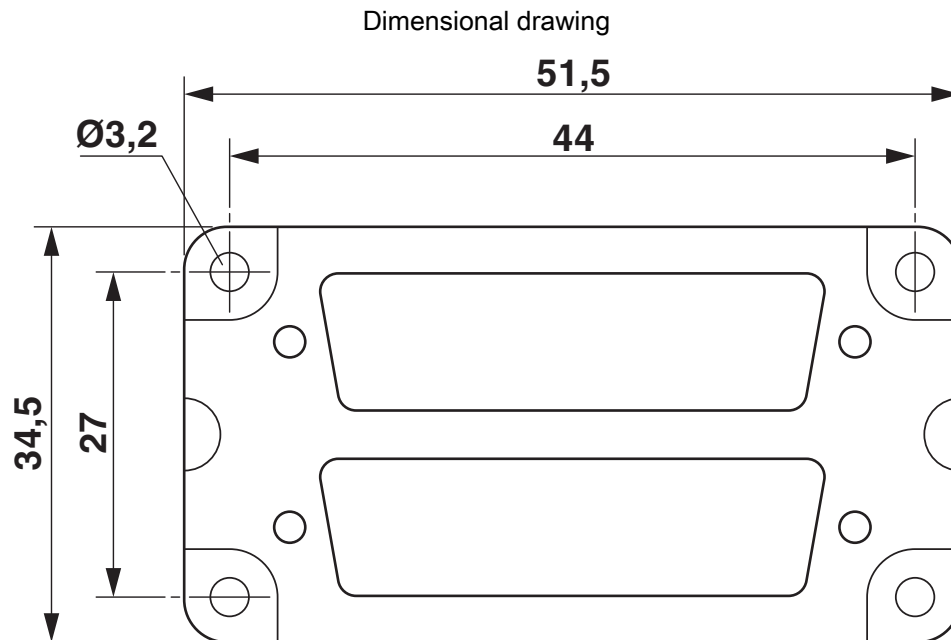
Assembly note	Mounting position of the adapter plate in the sleeve housing: T is visible after mounting in the housing. Mounting position of the adapter plate in the panel mounting base/socket housing/coupling housing: A is visible after mounting in the housing. Mounting position of the D-SUB (after mounting in the housing): in front of the mounting panel (front mounting)
---------------	--

HC-B 6-ADP/2 DSUB 15 - Adapter plate

1775486

<https://www.phoenixcontact.com/us/products/1775486>

Drawings



See assembly instruction

HC-B 6-ADP/2 DSUB 15 - Adapter plate



1775486

<https://www.phoenixcontact.com/us/products/1775486>

Approvals

To download certificates, visit the product detail page: <https://www.phoenixcontact.com/us/products/1775486>



EAC

Approval ID: RU C-DE.AI30.B.01102

HC-B 6-ADP/2 DSUB 15 - Adapter plate



1775486

<https://www.phoenixcontact.com/us/products/1775486>

Classifications

ECLASS

ECLASS-13.0	27440201
ECLASS-15.0	27440201

ETIM

ETIM 10.0	EC002309
-----------	----------

UNSPSC

UNSPSC 21.0	31261500
-------------	----------

1775486

<https://www.phoenixcontact.com/us/products/1775486>

Environmental product compliance

EU RoHS

Fulfills EU RoHS substance requirements	Yes
Exemption	6(a), 6(a)-I

China RoHS

Environment friendly use period (EFUP)	EFUP-50
	An article-related China RoHS declaration table can be found in the download area for the respective article under "Manufacturer declaration". For all articles with EFUP-E, no China RoHS declaration table issued and required.

EU REACH SVHC

REACH candidate substance (CAS No.)	Lead(CAS: 7439-92-1)
SCIP	b7d3cc0e-0605-4242-9650-a5cf17de3a37

Phoenix Contact 2026 © - all rights reserved

<https://www.phoenixcontact.com>

Phoenix Contact USA
586 Fulling Mill Road
Middletown, PA 17057, United States
(+717) 944-1300
info@phoenixcon.com