

# HC-B 6-ADP/1 DSUB 15 - Adapter plate



1775473

<https://www.phoenixcontact.com/us/products/1775473>

Please be informed that the data shown in this PDF document is generated from our online catalog. Please find the complete data in the user documentation. Our general terms of use for downloads are valid.

D-SUB adapter plate, for one D-SUB connector, no. of positions 15, housing series HC-B 6...



## Commercial data

Item number	1775473
Packing unit	2 pc
Minimum order quantity	2 pc
Sales key	BF66
Product key	AF7AZD
GTIN	4017918038076
Weight per piece (including packing)	13.8 g
Weight per piece (excluding packing)	13.5 g
Customs tariff number	39269097
Country of origin	DE

# HC-B 6-ADP/1 DSUB 15 - Adapter plate

1775473

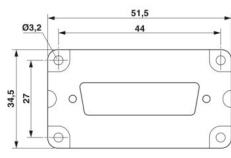
<https://www.phoenixcontact.com/us/products/1775473>

## Technical data

### Product properties

Product type	Adapter plate
Type	B6
Number of positions	15
Seal present	no

### Dimensions

Dimensional drawing	
Width	34.5 mm
Height	10 mm
Length	51.5 mm

### Material specifications

Material	PA
Flammability rating according to UL 94	HB

### Environmental and real-life conditions

#### Ambient conditions

Ambient temperature (operation)	-20 °C ... 100 °C
---------------------------------	-------------------

### Mounting

Assembly note	Mounting position of the adapter plate in the sleeve housing: <b>T</b> is visible after mounting in the housing. Mounting position of the adapter plate in the panel mounting base/socket housing/coupling housing: <b>A</b> is visible after mounting in the housing. Mounting position of the D-SUB (after mounting in the housing): in front of the mounting panel (front mounting)
---------------	--

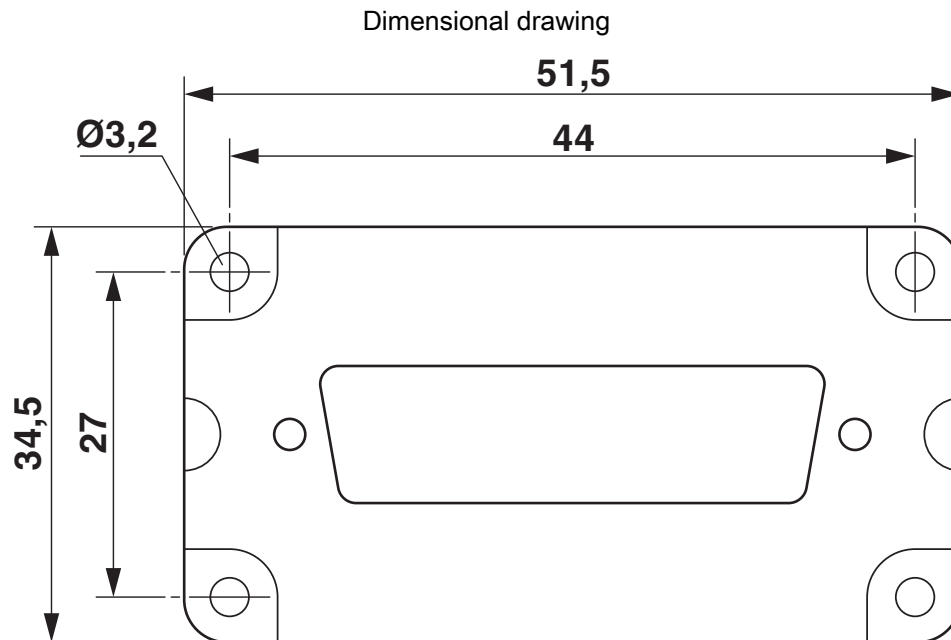
# HC-B 6-ADP/1 DSUB 15 - Adapter plate



1775473

<https://www.phoenixcontact.com/us/products/1775473>

## Drawings



See assembly instruction

# HC-B 6-ADP/1 DSUB 15 - Adapter plate



1775473

<https://www.phoenixcontact.com/us/products/1775473>

## Approvals

To download certificates, visit the product detail page: <https://www.phoenixcontact.com/us/products/1775473>



**EAC**

Approval ID: RU C-DE.AI30.B.01102

# HC-B 6-ADP/1 DSUB 15 - Adapter plate



1775473

<https://www.phoenixcontact.com/us/products/1775473>

## Classifications

### ECLASS

ECLASS-13.0	27440201
ECLASS-15.0	27440201

### ETIM

ETIM 10.0	EC002309
-----------	----------

### UNSPSC

UNSPSC 21.0	31261500
-------------	----------

1775473

<https://www.phoenixcontact.com/us/products/1775473>

## Environmental product compliance

### EU RoHS

Fulfills EU RoHS substance requirements	Yes
Exemption	6(a), 6(a)-I

### China RoHS

Environment friendly use period (EFUP)	EFUP-50
	An article-related China RoHS declaration table can be found in the download area for the respective article under "Manufacturer declaration". For all articles with EFUP-E, no China RoHS declaration table issued and required.

### EU REACH SVHC

REACH candidate substance (CAS No.)	Lead(CAS: 7439-92-1)
SCIP	82b811e0-9c7f-4a41-9198-9811c90a2df0

Phoenix Contact 2026 © - all rights reserved

<https://www.phoenixcontact.com>

Phoenix Contact USA  
586 Fulling Mill Road  
Middletown, PA 17057, United States  
(+717) 944-1300  
[info@phoenixcon.com](mailto:info@phoenixcon.com)