

# HC-B 6-ADP/1 DSUB 9 - Adapter plate



1775457

<https://www.phoenixcontact.com/us/products/1775457>

Please be informed that the data shown in this PDF document is generated from our online catalog. Please find the complete data in the user documentation. Our general terms of use for downloads are valid.

D-SUB adapter plate, for one D-SUB connector, no. of positions 9, housing series HC-B 6...



## Commercial data

Item number	1775457
Packing unit	2 pc
Minimum order quantity	2 pc
Sales key	BF66
Product key	AF7AZD
GTIN	4017918038052
Weight per piece (including packing)	14.95 g
Weight per piece (excluding packing)	13.5 g
Customs tariff number	39269097
Country of origin	DE

# HC-B 6-ADP/1 DSUB 9 - Adapter plate

1775457

<https://www.phoenixcontact.com/us/products/1775457>

## Technical data

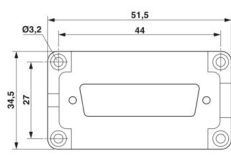
### Notes

General	For housing HC-B6
---------	-------------------

### Product properties

Product type	Adapter plate
Type	B6
Number of positions	9
Seal present	no

### Dimensions

Dimensional drawing	
Width	34.5 mm
Height	10 mm
Length	51.5 mm

### Material specifications

Material	PA
Flammability rating according to UL 94	HB

### Environmental and real-life conditions

#### Ambient conditions

Ambient temperature (operation)	-20 °C ... 100 °C
---------------------------------	-------------------

### Mounting

Assembly note	Mounting position of the adapter plate in the sleeve housing: <b>T</b> is visible after mounting in the housing. Mounting position of the adapter plate in the panel mounting base/socket housing/coupling housing: <b>A</b> is visible after mounting in the housing. Mounting position of the D-SUB (after mounting in the housing): in front of the mounting panel (front mounting)
---------------	--

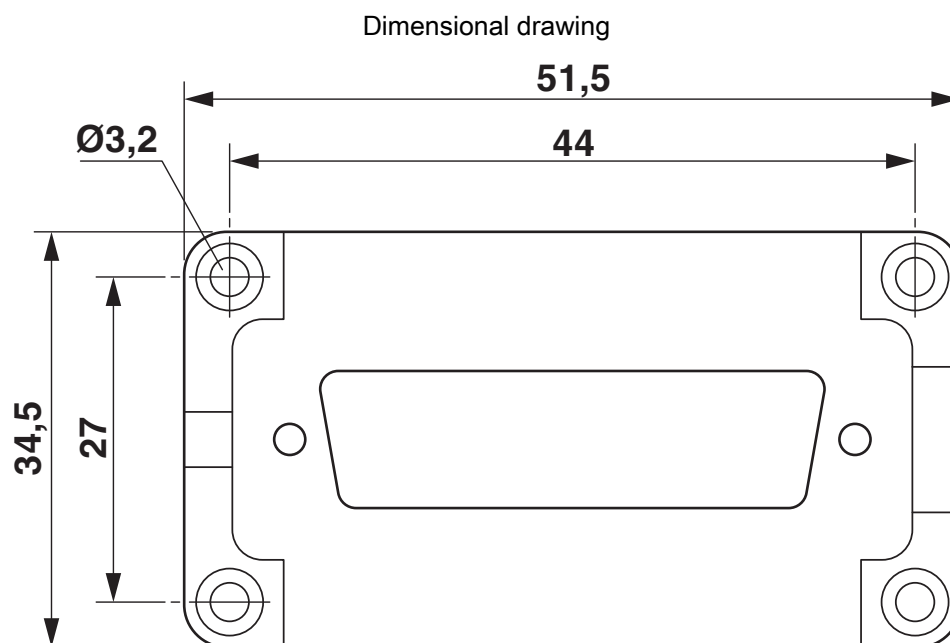
# HC-B 6-ADP/1 DSUB 9 - Adapter plate



1775457

<https://www.phoenixcontact.com/us/products/1775457>

## Drawings



See assembly instruction

# HC-B 6-ADP/1 DSUB 9 - Adapter plate



1775457

<https://www.phoenixcontact.com/us/products/1775457>

## Approvals

To download certificates, visit the product detail page: <https://www.phoenixcontact.com/us/products/1775457>



**EAC**

Approval ID: RU C-DE.AI30.B.01102

# HC-B 6-ADP/1 DSUB 9 - Adapter plate



1775457

<https://www.phoenixcontact.com/us/products/1775457>

## Classifications

### ECLASS

ECLASS-13.0	27440201
ECLASS-15.0	27440201

### ETIM

ETIM 10.0	EC002309
-----------	----------

### UNSPSC

UNSPSC 21.0	31261500
-------------	----------

# HC-B 6-ADP/1 DSUB 9 - Adapter plate



1775457

<https://www.phoenixcontact.com/us/products/1775457>

## Environmental product compliance

### EU RoHS

Fulfills EU RoHS substance requirements	Yes
Exemption	6(a), 6(a)-I

### China RoHS

Environment friendly use period (EFUP)	EFUP-50
	An article-related China RoHS declaration table can be found in the download area for the respective article under "Manufacturer declaration". For all articles with EFUP-E, no China RoHS declaration table issued and required.

### EU REACH SVHC

REACH candidate substance (CAS No.)	Lead(CAS: 7439-92-1)
SCIP	84143962-dd13-4f1b-baa2-42508cbe5459

Phoenix Contact 2026 © - all rights reserved

<https://www.phoenixcontact.com>

Phoenix Contact USA  
586 Fulling Mill Road  
Middletown, PA 17057, United States  
(+717) 944-1300  
[info@phoenixcon.com](mailto:info@phoenixcon.com)