

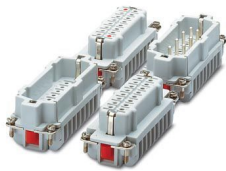
HC-HV 6-EBUS - Contact insert



1773365

<https://www.phoenixcontact.com/us/products/1773365>

Please be informed that the data shown in this PDF document is generated from our online catalog. Please find the complete data in the user documentation. Our general terms of use for downloads are valid.



HEAVYCON female insert, for 690 V(III/3), with 6 N/O contacts and 2 switching contacts, screw connection

The figure shows a combination of versions HC-HV -6-EBUC, -6-EBUS, -6-ESTC and -6-ESTS

Commercial data

Item number	1773365
Packing unit	1 pc
Note	Made to order (non-returnable)
Sales key	BF61
Product key	AF7ABG
GTIN	4017918115548
Weight per piece (including packing)	97.74 g
Weight per piece (excluding packing)	83.3 g
Customs tariff number	85366990
Country of origin	DE

HC-HV 6-EBUS - Contact insert

1773365

<https://www.phoenixcontact.com/us/products/1773365>

Technical data

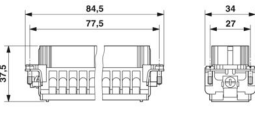
Product properties

Product type	Contact insert with a fixed no. of positions
Type	B16
Number of positions	6
Connection profile	6+2+PE

Insulation characteristics

Overvoltage category	III
Degree of pollution	3

Dimensions

Dimensional drawing	
Width	34 mm
Height	37.5 mm
Length	84.5 mm

Connection data

Connection technology

Connection technology	Screw connection
-----------------------	------------------

Conductor connection

Conductor cross-section	0.5 mm ² ... 2.5 mm ²
Connection cross section AWG	20 ... 14
Tightening torque	0.5 Nm
Stripping length of the individual wire	7 mm (N/O contacts)
	7 mm (control contacts)

Electrical properties

Rated voltage (III/3)	400 V (Power contacts wire-ground)
	250 V control contacts
	690 V (Power contacts wire-ground)
Rated voltage for power contacts	400/690 V
Rated surge voltage	6 kV (N/O contacts)
	4 kV (control contacts)
Rated current	16 A
Test voltage	3 kV AC

Mechanical properties

HC-HV 6-EBUS - Contact insert



1773365

<https://www.phoenixcontact.com/us/products/1773365>

Mechanical data

Insertion/withdrawal cycles	≥ 500
-----------------------------	-------

Material specifications

Flammability rating according to UL 94	V0
Contact material	Copper alloy
Contact surface material	Ag
Contact carrier material	PA

Environmental and real-life conditions

Ambient conditions

Ambient temperature (operation)	-40 °C ... 125 °C (including heating up of contacts)
---------------------------------	--

Standards and regulations

Constructional and testing regulations	DIN VDE 0627/86
	DIN VDE 0110/02.79
	DIN VDE 0110-1/04.97
	IEC 60664-1, DIN IEC 60512
	IEC 60352
Tests	DIN VDE 0627/86
	DIN VDE 0110/02.79
	DIN VDE 0110-1/04.97
	IEC 60664-1, DIN IEC 60512
	IEC 60352

HC-HV 6-EBUS - Contact insert

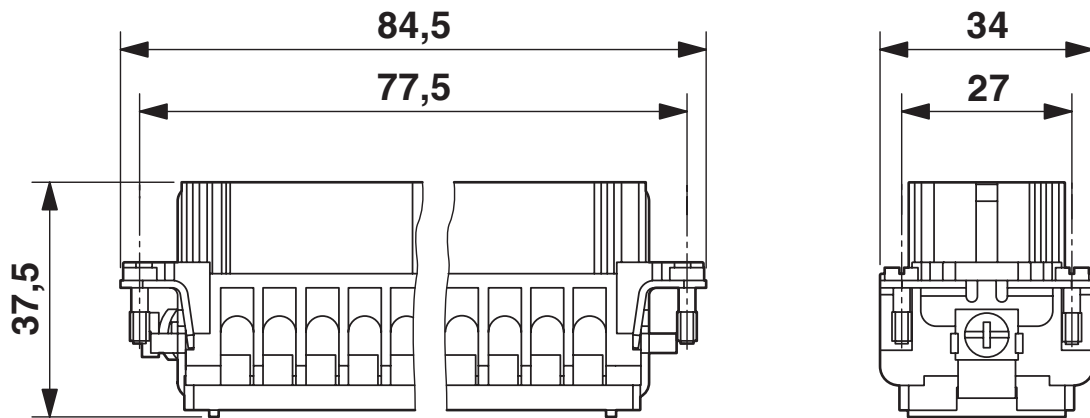


1773365

<https://www.phoenixcontact.com/us/products/1773365>

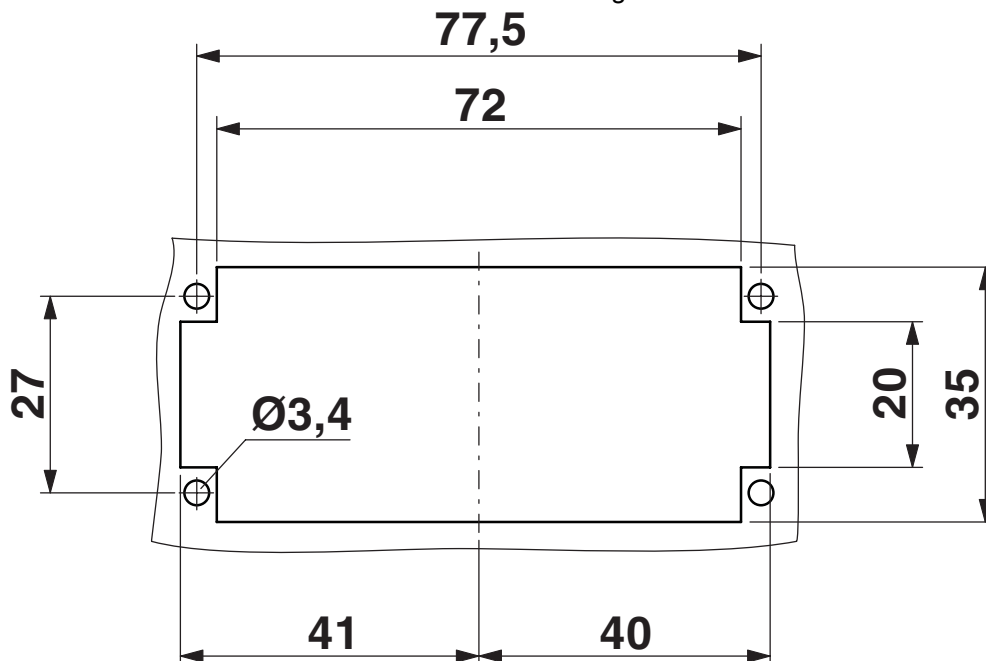
Drawings

Dimensional drawing

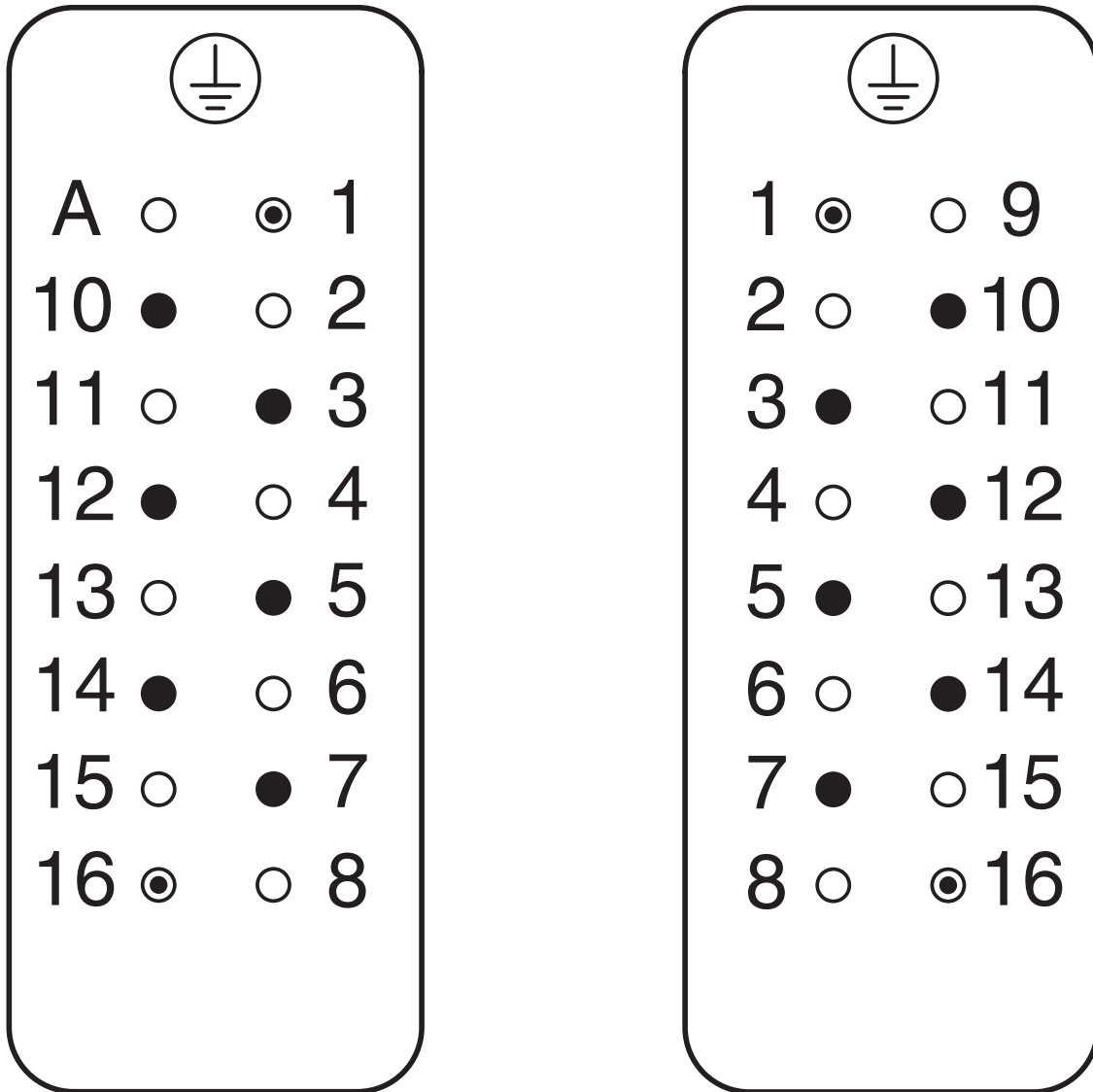


Female insert

Dimensional drawing

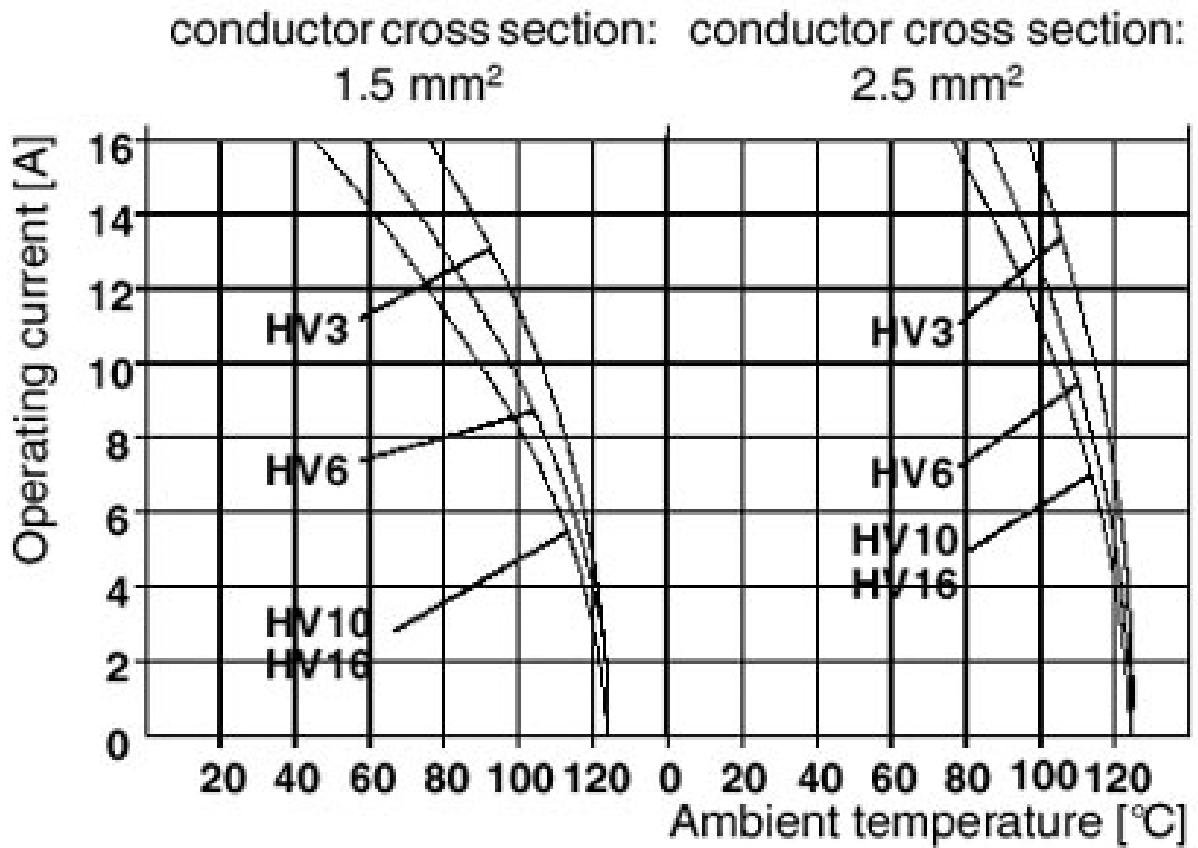


Schematic diagram



View termination side

Diagram



HC-HV 6-EBUS - Contact insert



1773365

<https://www.phoenixcontact.com/us/products/1773365>

Classifications

ECLASS

ECLASS-13.0	27440205
ECLASS-15.0	27440205

HC-HV 6-EBUS - Contact insert



1773365

<https://www.phoenixcontact.com/us/products/1773365>

Environmental product compliance

China RoHS

Environment friendly use period (EFUP)	EFUP-50
	An article-related China RoHS declaration table can be found in the download area for the respective article under "Manufacturer declaration". For all articles with EFUP-E, no China RoHS declaration table issued and required.

EU REACH SVHC

REACH candidate substance (CAS No.)	No substance above 0.1 wt%
-------------------------------------	----------------------------

Phoenix Contact 2026 © - all rights reserved
<https://www.phoenixcontact.com>

Phoenix Contact USA
586 Fulling Mill Road
Middletown, PA 17057, United States
(+717) 944-1300
info@phoenixcon.com