

HC-DS-PG21-T - Pressure screw



1772706

<https://www.phoenixcontact.com/us/products/1772706>

Please be informed that the data shown in this PDF document is generated from our online catalog. Please find the complete data in the user documentation. Our general terms of use for downloads are valid.

Pressure screws, with flared cable guard, clamping area 13 mm ... 20 mm, for housing with Pg21 support



Commercial data

Item number	1772706
Packing unit	1 pc
Note	Made to order (non-returnable)
Sales key	BF68
Product key	AF7DFX
GTIN	4017918037352
Weight per piece (including packing)	41.16 g
Weight per piece (excluding packing)	41 g
Customs tariff number	74199990
Country of origin	DE

HC-DS-PG21-T - Pressure screw



1772706

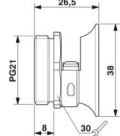
<https://www.phoenixcontact.com/us/products/1772706>

Technical data

Product properties

Product type	Half screw connection
--------------	-----------------------

Dimensions

Dimensional drawing	
---------------------	--

Clamping range of the strain relief clip	13.00 mm ... 20.00 mm
--	-----------------------

External dimensions

External diameter min.	15 mm
External diameter max.	21 mm

Material specifications

Material Pressure screw	Brass, nickel-plated
-------------------------	----------------------

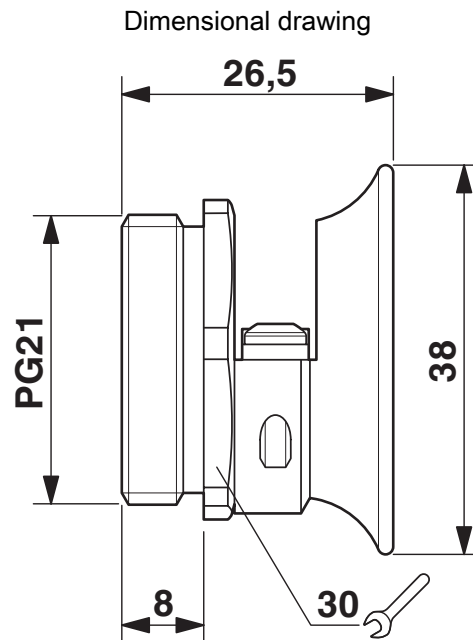
HC-DS-PG21-T - Pressure screw

1772706

<https://www.phoenixcontact.com/us/products/1772706>



Drawings



Dimensional drawing

HC-DS-PG21-T - Pressure screw



1772706

<https://www.phoenixcontact.com/us/products/1772706>

Classifications

UNSPSC

UNSPSC 21.0	31161514
-------------	----------

Phoenix Contact 2026 © - all rights reserved

<https://www.phoenixcontact.com>

Phoenix Contact USA
586 Fulling Mill Road
Middletown, PA 17057, United States
(+717) 944-1300
info@phoenixcon.com