

# HC-D 40-ESTC - Contact insert

1772502

<https://www.phoenixcontact.com/us/products/1772502>

Please be informed that the data shown in this PDF document is generated from our online catalog. Please find the complete data in the user documentation. Our general terms of use for downloads are valid.



HEAVYCON male insert, D40 series, 40-pos., crimp connection

## Commercial data

Item number	1772502
Packing unit	1 pc
Note	Made to order (non-returnable)
Sales key	BF61
Product key	AF7ABE
GTIN	4017918037178
Weight per piece (including packing)	67 g
Weight per piece (excluding packing)	66.57 g
Customs tariff number	85366990
Country of origin	DE

# HC-D 40-ESTC - Contact insert

1772502

<https://www.phoenixcontact.com/us/products/1772502>

## Technical data

### Mounting

Assembly note	- Use of HC-CST (1676857) coding pins and HC-CBU (1676860) coding sockets has been prescribed.
	Connectors may be plugged in only when there is no load/voltage.

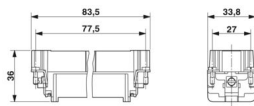
### Product properties

Product type	Contact insert with a fixed no. of positions
Type	B16 B32
Number of positions	40
Connection profile	40+PE
Contact material type	turned

### Insulation characteristics

Overvoltage category	III
Degree of pollution	3

### Dimensions

Dimensional drawing	
Width	34 mm
Height	32.5 mm
Length	84.5 mm

### Connection data

#### Connection technology

Connection technology	Crimp connection
Connection in acc. with standard	IEC / EN

#### Conductor connection

Conductor cross-section	0.14 mm <sup>2</sup> ... 2.5 mm <sup>2</sup>
Connection cross section AWG	26 ... 14
Stripping length of the individual wire	8 mm 6 mm (2.5 mm <sup>2</sup> )

### Electrical properties

Rated voltage (III/3)	250 V
Rated surge voltage	4 kV

# HC-D 40-ESTC - Contact insert



1772502

<https://www.phoenixcontact.com/us/products/1772502>

Rated current	10 A
Test voltage	4 kV AC

## Mechanical properties

### Mechanical data

Insertion/withdrawal cycles	≥ 500
-----------------------------	-------

## Material specifications

Flammability rating according to UL 94	V0
Contact material	Copper alloy
Contact surface material	Ag (alternatively Au)
Contact carrier material	PA

## Environmental and real-life conditions

### Ambient conditions

Ambient temperature (operation)	-40 °C ... 125 °C (including heating up of contacts)
---------------------------------	--

## Standards and regulations

Constructional and testing regulations	DIN VDE 0627/86
	DIN VDE 0110/02.79
	DIN VDE 0110-1/04.97
	IEC 60664-1, DIN IEC 60512
	IEC 60352
Tests	DIN VDE 0627/86
	DIN VDE 0110/02.79
	DIN VDE 0110-1/04.97
	IEC 60664-1, DIN IEC 60512
	IEC 60352

# HC-D 40-ESTC - Contact insert

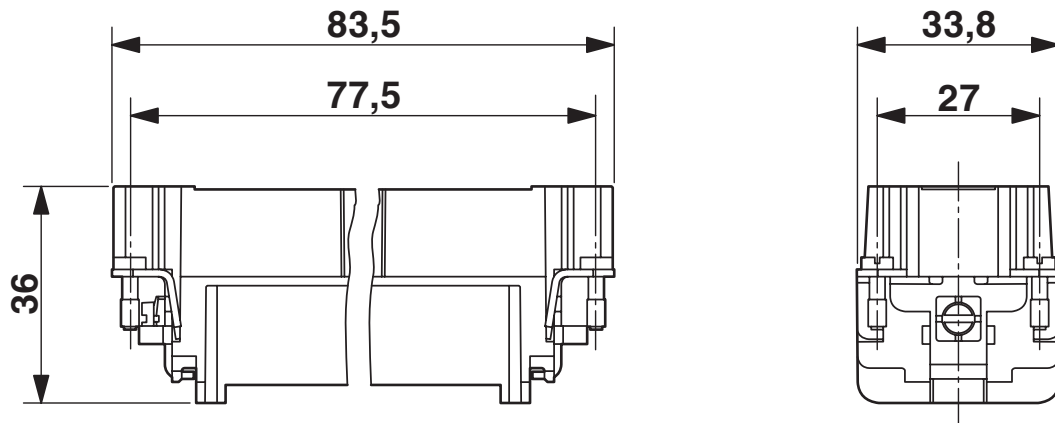


1772502

<https://www.phoenixcontact.com/us/products/1772502>

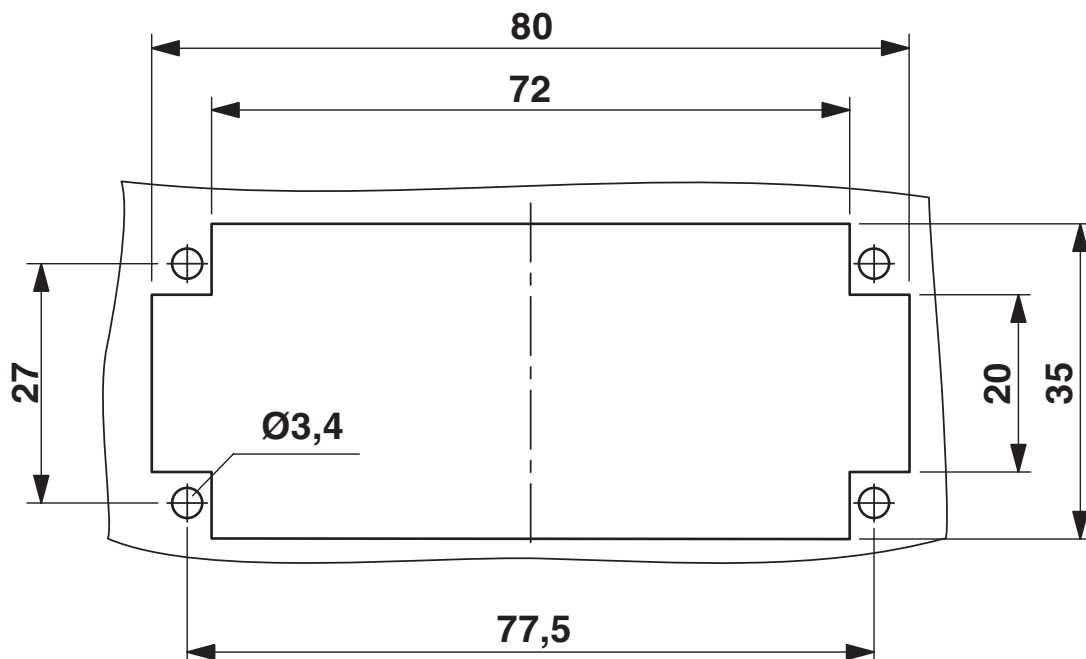
## Drawings

Dimensional drawing



Male insert (turned contacts)

Dimensional drawing



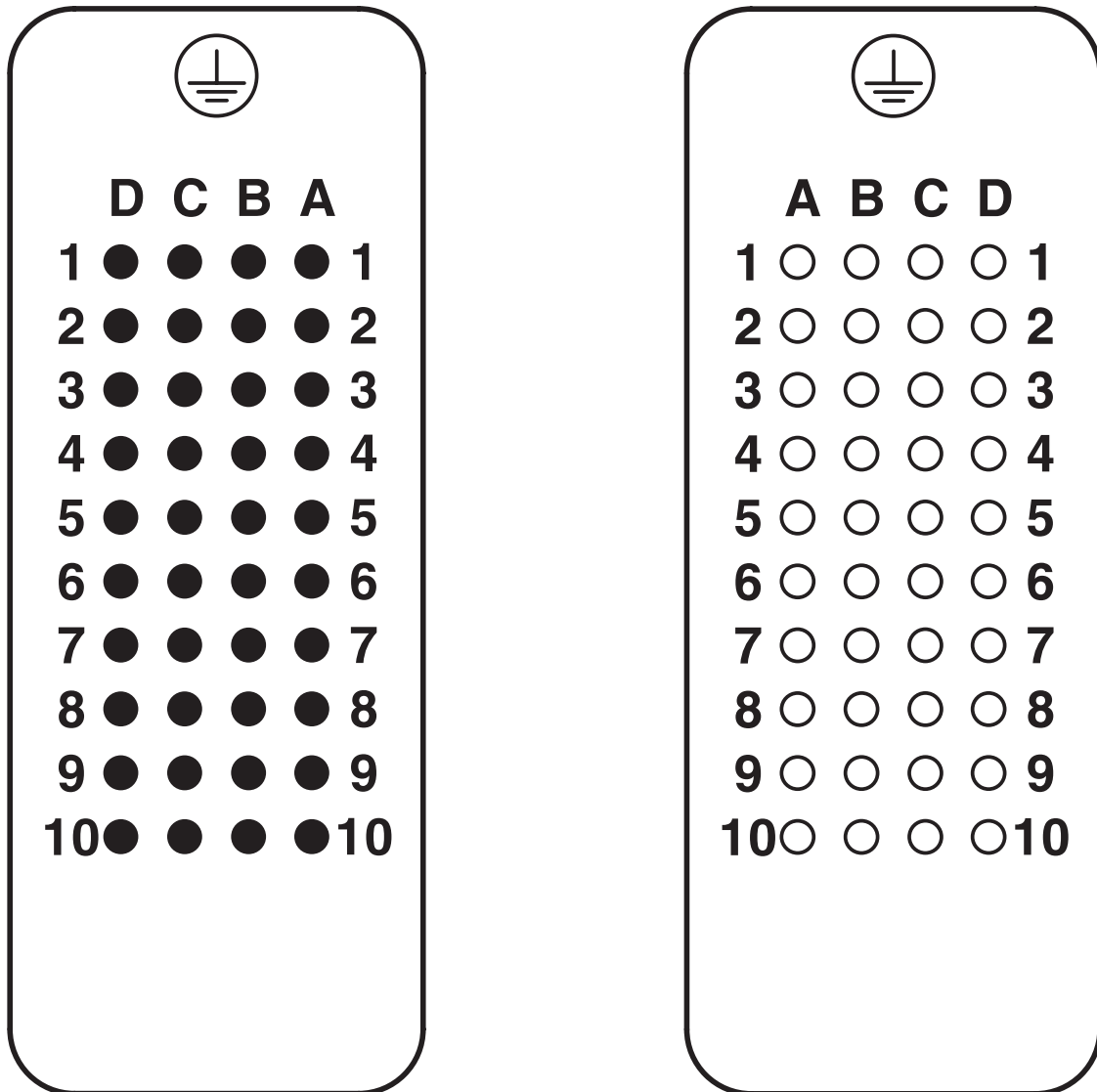
Mounting cutout

# HC-D 40-ESTC - Contact insert

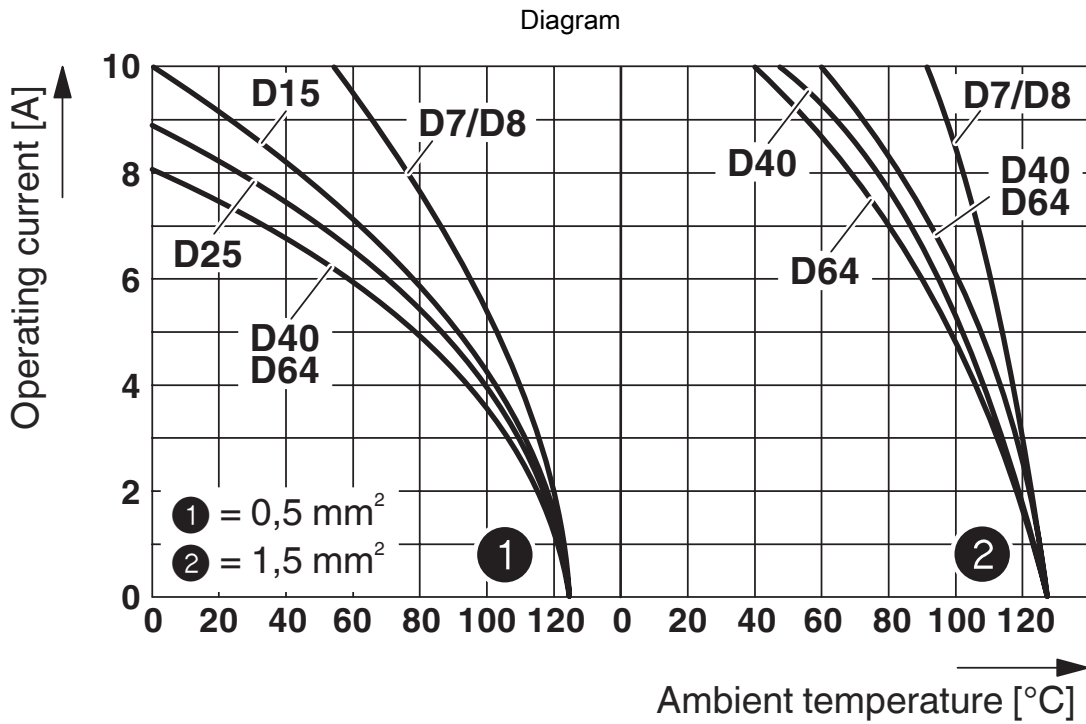
1772502

<https://www.phoenixcontact.com/us/products/1772502>

## Schematic diagram



Connector pin assignment, connection side



Derating diagram: HC-D...C series

# HC-D 40-ESTC - Contact insert



1772502

<https://www.phoenixcontact.com/us/products/1772502>

## Classifications

### ECLASS

ECLASS-13.0	27440205
ECLASS-15.0	27440205

# HC-D 40-ESTC - Contact insert



1772502

<https://www.phoenixcontact.com/us/products/1772502>

## Environmental product compliance

### EU RoHS

Fulfills EU RoHS substance requirements	Yes, No exemptions
---	--------------------

### China RoHS

Environment friendly use period (EFUP)	EFUP-E
	No hazardous substances above the limits

### EU REACH SVHC

REACH candidate substance (CAS No.)	No substance above 0.1 wt%
-------------------------------------	----------------------------

Phoenix Contact 2026 © - all rights reserved  
<https://www.phoenixcontact.com>

Phoenix Contact USA  
586 Fulling Mill Road  
Middletown, PA 17057, United States  
(+717) 944-1300  
[info@phoenixcon.com](mailto:info@phoenixcon.com)