

HC-D 25-EBUC - Contact insert

1772405

<https://www.phoenixcontact.com/us/products/1772405>

Please be informed that the data shown in this PDF document is generated from our online catalog. Please find the complete data in the user documentation. Our general terms of use for downloads are valid.



HEAVYCON female insert, D25 series, 25-pos., crimp connection

Commercial data

Item number	1772405
Packing unit	1 pc
Note	Made to order (non-returnable)
Sales key	BF61
Product key	AF7ABE
GTIN	4017918037079
Weight per piece (including packing)	47.1 g
Weight per piece (excluding packing)	38 g
Customs tariff number	85366990
Country of origin	DE

HC-D 25-EBUC - Contact insert

1772405

<https://www.phoenixcontact.com/us/products/1772405>

Technical data

Mounting

Assembly note	Connectors may be operated only when there is no load/voltage. - Use of HC-CST (1676857) coding pins and HC-CBU (1676860) coding sockets has been prescribed.
---------------	--

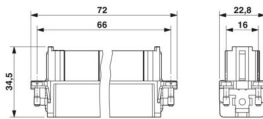
Product properties

Product type	Contact insert with a fixed no. of positions
Type	D25
Number of positions	25
Connection profile	25+PE

Insulation characteristics

Overvoltage category	III
Degree of pollution	3

Dimensions

Dimensional drawing	
Width	22.8 mm
Height	34.5 mm
Length	72 mm
Drill hole distance, vertical	16 mm

Connection data

Connection technology

Connection technology	Crimp connection
Connection in acc. with standard	IEC / EN

Conductor connection

Conductor cross-section	0.14 mm ² ... 2.5 mm ²
Connection cross section AWG	26 ... 14
Stripping length of the individual wire	8 mm 6 mm (2.5 mm ²)

Electrical properties

Rated voltage (III/3)	250 V
Rated surge voltage	4 kV
Rated current	10 A
Test voltage	4 kV AC

HC-D 25-EBUC - Contact insert



1772405

<https://www.phoenixcontact.com/us/products/1772405>

Mechanical properties

Mechanical data

Insertion/withdrawal cycles	≥ 500
-----------------------------	-------

Material specifications

Flammability rating according to UL 94	V0
Contact material	Copper alloy
Contact surface material	Ag (alternatively Au)
Contact carrier material	PA

Environmental and real-life conditions

Ambient conditions

Ambient temperature (operation)	-40 °C ... 125 °C (including heating up of contacts)
---------------------------------	--

Standards and regulations

Constructional and testing regulations	DIN VDE 0627/86
	DIN VDE 0110/02.79
	DIN VDE 0110-1/04.97
	IEC 60664-1, DIN IEC 60512
	IEC 60352
Tests	DIN VDE 0627/86
	DIN VDE 0110/02.79
	DIN VDE 0110-1/04.97
	IEC 60664-1, DIN IEC 60512
	IEC 60352

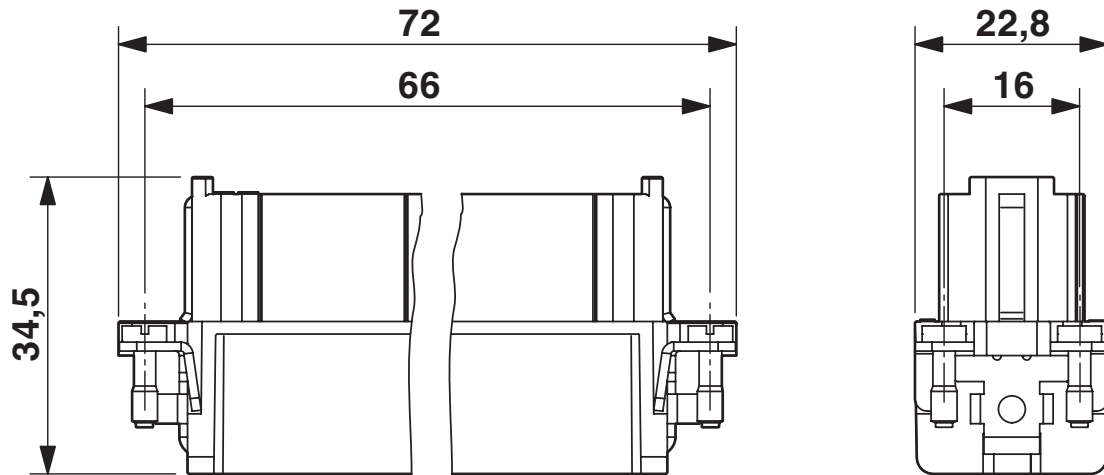
HC-D 25-EBUC - Contact insert

1772405

<https://www.phoenixcontact.com/us/products/1772405>

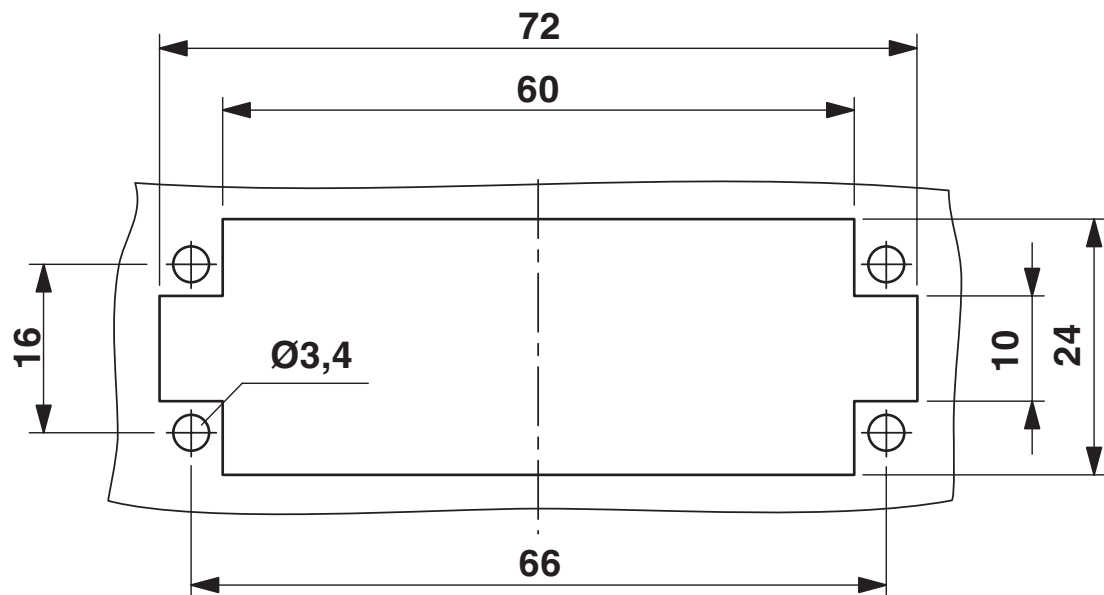
Drawings

Dimensional drawing



Female insert (turned contacts)

Dimensional drawing



Mounting cutout

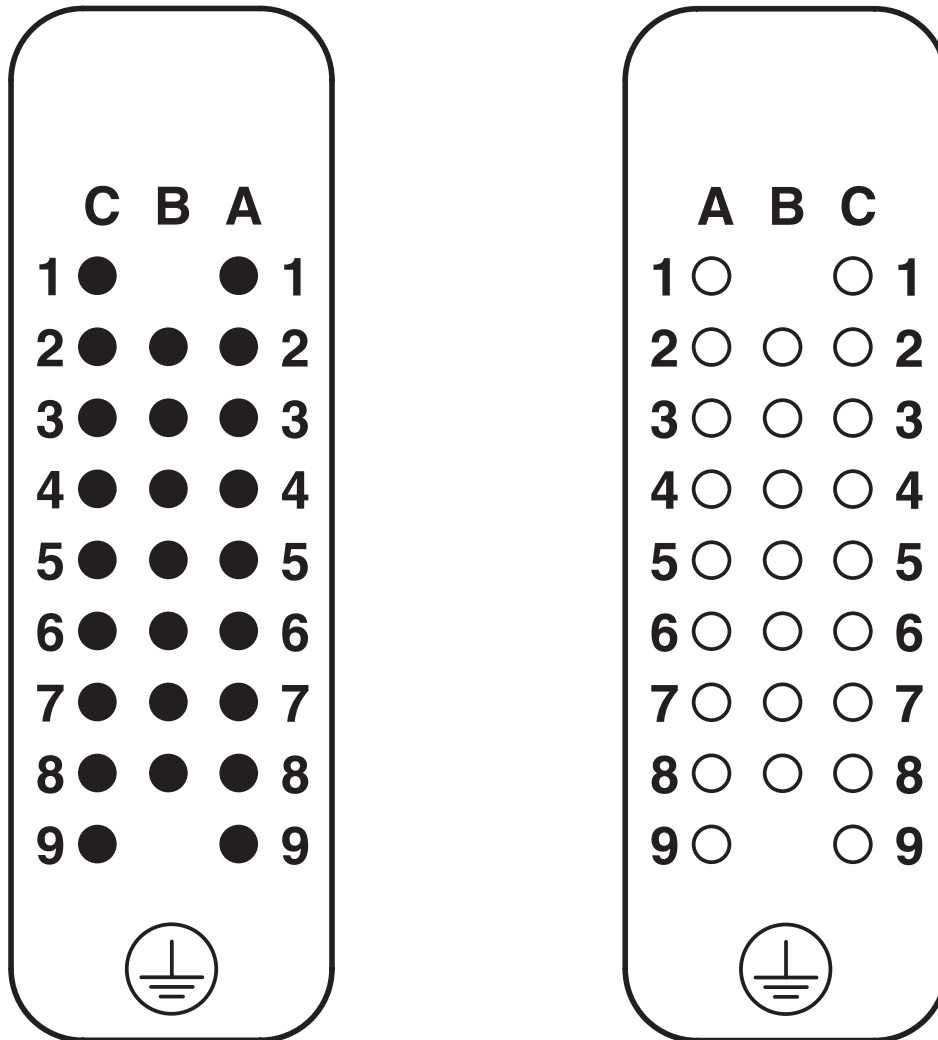
HC-D 25-EBUC - Contact insert

1772405

<https://www.phoenixcontact.com/us/products/1772405>



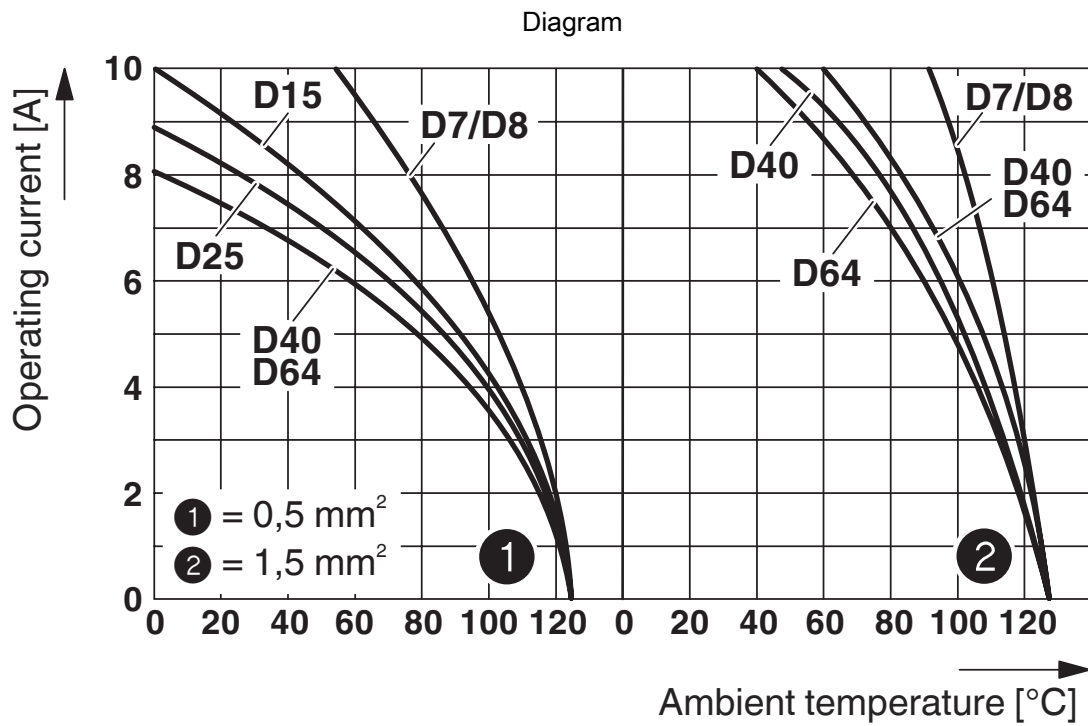
Schematic diagram



Connector pin assignment connection side: Left pin; right socket

1772405

<https://www.phoenixcontact.com/us/products/1772405>



Derating diagram: HC-D...C series

HC-D 25-EBUC - Contact insert



1772405

<https://www.phoenixcontact.com/us/products/1772405>

Classifications

ECLASS

ECLASS-13.0	27440205
ECLASS-15.0	27440205

HC-D 25-EBUC - Contact insert



1772405

<https://www.phoenixcontact.com/us/products/1772405>

Environmental product compliance

China RoHS

Environment friendly use period (EFUP)	EFUP-E
	No hazardous substances above the limits

EU REACH SVHC

REACH candidate substance (CAS No.)	No substance above 0.1 wt%
-------------------------------------	----------------------------

Phoenix Contact 2026 © - all rights reserved
<https://www.phoenixcontact.com>

Phoenix Contact USA
586 Fulling Mill Road
Middletown, PA 17057, United States
(+717) 944-1300
info@phoenixcon.com