

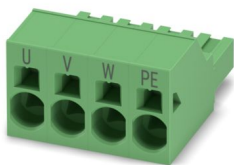
# SPC 16/ 4-ST-10,16 BD:U-PE - PCB connector



1772126

<https://www.phoenixcontact.com/us/products/1772126>

Please be informed that the data shown in this PDF document is generated from our online catalog. Please find the complete data in the user documentation. Our general terms of use for downloads are valid.



PCB connector, nominal cross section: 16 mm<sup>2</sup>, color: green, nominal current: 76 A, rated voltage (III/2): 1000 V, contact surface: Ag, contact connection type: Socket, number of potentials: 4, number of rows: 1, number of positions: 4, number of connections: 4, product range: SPC 16/...-ST, pitch: 10.16 mm, connection method: Push-in spring connection, conductor/PCB connection direction: 0 °, locking clip: - without locking clip, plug-in system: COMBICON PC 16, locking: without, mounting method: without, type of packaging: packed in cardboard

## Your advantages

- Time saving push-in connection, tools not required
- Defined contact force ensures that contact remains stable over the long term
- Clamping space opened by means of fixed screwdriver enables convenient conductor connection
- Integrated double steel spring provides additional safety in the event of temperature and power fluctuations
- Optimized for tight installation situations: operation and conductor connection from one direction

## Commercial data

|                                      |               |
|--------------------------------------|---------------|
| Item number                          | 1772126       |
| Packing unit                         | 50 pc         |
| Minimum order quantity               | 1 pc          |
| Product key                          | AAEFAA        |
| GTIN                                 | 4046356463904 |
| Weight per piece (including packing) | 33.15 g       |
| Weight per piece (excluding packing) | 33.13 g       |
| Country of origin                    | IN            |

# SPC 16/ 4-ST-10,16 BD:U-PE - PCB connector



1772126

<https://www.phoenixcontact.com/us/products/1772126>

## Technical data

### Product properties

|                       |                        |
|-----------------------|------------------------|
| Product type          | PCB connector          |
| Product family        | SPC 16/...-ST          |
| Product line          | COMBICON Connectors XL |
| Number of positions   | 4                      |
| Pitch                 | 10.16 mm               |
| Number of connections | 4                      |
| Number of rows        | 1                      |
| Number of potentials  | 4                      |
| Mounting type         | without                |

### Electrical properties

#### Properties

|                             |        |
|-----------------------------|--------|
| Nominal current $I_N$       | 76 A   |
| Nominal voltage $U_N$       | 1000 V |
| Contact resistance          | 0.5 mΩ |
| Rated voltage (III/3)       | 1000 V |
| Rated surge voltage (III/3) | 8 kV   |
| Rated voltage (III/2)       | 1000 V |
| Rated surge voltage (III/2) | 8 kV   |
| Rated voltage (II/2)        | 1000 V |
| Rated surge voltage (II/2)  | 6 kV   |

### Connection data

#### Connection technology

|                         |                    |
|-------------------------|--------------------|
| Type                    | Standard           |
| Connector system        | COMBICON PC 16     |
| Nominal cross section   | 16 mm <sup>2</sup> |
| Contact connection type | Socket             |

#### Interlock

|               |         |
|---------------|---------|
| Locking type  | without |
| Mounting type | without |

#### Conductor connection

|   |   |
|---|---|
| Connection method   | Push-in spring connection                   |
| Conductor/PCB connection direction                                      | 0 °   |
| Conductor cross-section rigid   | 0.75 mm <sup>2</sup> ... 16 mm <sup>2</sup> |
| Conductor cross-section flexible  | 0.75 mm <sup>2</sup> ... 16 mm <sup>2</sup> |
| Conductor cross-section AWG   | 18 ... 4                                    |
| Conductor cross-section, flexible, with ferrule, without plastic sleeve | 0.75 mm <sup>2</sup> ... 16 mm <sup>2</sup> |

# SPC 16/ 4-ST-10,16 BD:U-PE - PCB connector



1772126

<https://www.phoenixcontact.com/us/products/1772126>

|   |   |
|---|---|
| Conductor cross-section, flexible, with ferrule, with plastic sleeve                      | 0.75 mm <sup>2</sup> ... 10 mm <sup>2</sup> |
| 2 conductors with the same cross section, flexible, with TWIN ferrule with plastic sleeve | 0.75 mm <sup>2</sup> ... 4 mm <sup>2</sup>  |
| Cylindrical gauge a x b / diameter  | - / 5.4 mm                                  |
| Stripping length  | 18 mm                                       |

## Material specifications

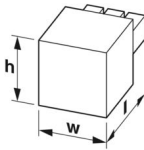
### Material data - contact

|  |  |
|--|--|
| Note                                     | WEEE/RoHS-compliant, free of whiskers according to IEC 60068-2-82/JEDEC JESD 201 |
| Contact material                         | Cu alloy   |
| Surface characteristics                  | Silver-plated strip  |
| Metal surface terminal point (top layer) | Silver (4 µm - 8 µm Ag)  |
| Metal surface contact area (top layer)   | Silver (4 µm - 8 µm Ag)  |

### Material data - housing

|   |              |
|---|--------------|
| Color (Housing)   | green (6021) |
| Insulating material   | PA           |
| Insulating material group   | I            |
| CTI according to IEC 60112  | 600          |
| Flammability rating according to UL 94                            | V0           |
| Glow wire flammability index GWFI according to EN 60695-2-12      | 850          |
| Glow wire ignition temperature GWIT according to EN 60695-2-13    | 775          |
| Temperature for the ball pressure test according to EN 60695-10-2 | 125 °C       |

## Dimensions

|                     |  |
|---------------------|--|
| Dimensional drawing |  |
| Pitch               | 10.16 mm   |
| Width [w]           | 40.64 mm   |
| Height [h]          | 25.1 mm  |
| Length [l]          | 44.5 mm  |

## Notes

|                    |  |
|--------------------|--|
| Notes on operation | In accordance with IEC 61984, COMBICON connectors have no switching power (COC). During designated use, they must not be plugged in or disconnected when carrying voltage or under load. |
|--------------------|--|

## Mechanical tests

### Conductor connection

# SPC 16/ 4-ST-10,16 BD:U-PE - PCB connector



1772126

<https://www.phoenixcontact.com/us/products/1772126>

|               |                     |
|---------------|---------------------|
| Specification | IEC 60999-1:1999-11 |
| Result        | Test passed         |

## Test for conductor damage and slackening

|               |                     |
|---------------|---------------------|
| Specification | IEC 60999-1:1999-11 |
| Result        | Test passed         |

## Repeated connection and disconnection

|               |                     |
|---------------|---------------------|
| Specification | IEC 60999-1:1999-11 |
| Result        | Test passed         |

## Pull-out test

|   |  |
|---|--|
| Specification   | IEC 60999-1:1999-11                      |
| Conductor cross-section/conductor type/tractive force setpoint/actual value | 0.75 mm <sup>2</sup> / solid / > 30 N    |
|   | 0.75 mm <sup>2</sup> / flexible / > 30 N |
|   | 16 mm <sup>2</sup> / solid / > 100 N     |
|   | 16 mm <sup>2</sup> / flexible / > 100 N  |

## Insertion and withdrawal forces

|                                     |                        |
|-------------------------------------|------------------------|
| Specification                       | IEC 60512-13-2:2006-02 |
| Result                              | Test passed            |
| No. of cycles                       | 50                     |
| Insertion strength per pos. approx. | 7 N                    |
| Withdraw strength per pos. approx.  | 7 N                    |

## Resistance of inscriptions

|               |                        |
|---------------|------------------------|
| Specification | IEC 60068-2-70:1995-12 |
| Result        | Test passed            |

## Polarization and coding

|               |                        |
|---------------|------------------------|
| Specification | IEC 60512-13-5:2006-02 |
| Result        | Test passed            |

## Visual inspection

|               |                       |
|---------------|-----------------------|
| Specification | IEC 60512-1-1:2002-02 |
| Result        | Test passed           |

## Dimension check

|               |                       |
|---------------|-----------------------|
| Specification | IEC 60512-1-2:2002-02 |
| Result        | Test passed           |

## Environmental and real-life conditions

### Durability test

|  |                       |
|--|-----------------------|
| Specification                          | IEC 60512-9-1:2010-03 |
| Impulse withstand voltage at sea level | 9.8 kV                |
| Contact resistance R <sub>1</sub>      | 0.5 mΩ                |
| Contact resistance R <sub>2</sub>      | 0.5 mΩ                |

1772126

<https://www.phoenixcontact.com/us/products/1772126>

|  |        |
|--|--------|
| Insertion/withdrawal cycles                  | 50     |
| Insulation resistance, neighboring positions | > 5 MΩ |

## Climatic test

|                                   |   |
|-----------------------------------|---|
| Specification                     | ISO 6988:1985-02  |
| Corrosive stress                  | 0.2 dm <sup>3</sup> SO <sub>2</sub> on 300 dm <sup>3</sup> /40 °C/1 cycle |
| Thermal stress                    | 100 °C/168 h  |
| Power-frequency withstand voltage | 4.26 kV   |

## Vibration test

|                        |                             |
|------------------------|-----------------------------|
| Specification          | IEC 60068-2-6:2007-12       |
| Frequency              | 10 - 150 - 10 Hz            |
| Sweep speed            | 1 octave/min                |
| Amplitude              | 0.35 mm (10 Hz ... 60.1 Hz) |
| Acceleration           | 5g (60.1 Hz ... 150 Hz)     |
| Test duration per axis | 2.5 h                       |
| Test directions        | X-, Y- and Z-axis           |

## Ambient conditions

|   |   |
|---|---|
| Ambient temperature (storage/transport) | -40 °C ... 70 °C                                    |
| Relative humidity (storage/transport)   | 30 % ... 70 %                                       |
| Ambient temperature (assembly)          | -5 °C ... 100 °C                                    |
| Ambient temperature (operation)         | -40 °C ... 100 °C (dependent on the derating curve) |

## Electrical tests

### Thermal test | Test group C

|                            |                       |
|----------------------------|-----------------------|
| Specification              | IEC 60512-5-1:2002-02 |
| Tested number of positions | 9                     |

### Insulation resistance

|  |                       |
|--|-----------------------|
| Specification                                | IEC 60512-3-1:2002-02 |
| Insulation resistance, neighboring positions | > 5 MΩ                |

### Temperature cycles

|               |                     |
|---------------|---------------------|
| Specification | IEC 60999-1:1999-11 |
| Result        | Test passed         |

### Air clearances and creepage distances |

|  |                     |
|--|---------------------|
| Specification  | IEC 60664-1:2007-04 |
| Insulating material group                              | I                   |
| Comparative tracking index (IEC 60112)                 | CTI 600             |
| Rated insulation voltage (III/3)                       | 1000 V              |
| Rated surge voltage (III/3)                            | 8 kV                |
| minimum clearance value - non-homogenous field (III/3) | 8 mm                |
| minimum creepage distance (III/3)                      | 12.5 mm             |
| Rated insulation voltage (III/2)                       | 1000 V              |

# SPC 16/ 4-ST-10,16 BD:U-PE - PCB connector



1772126

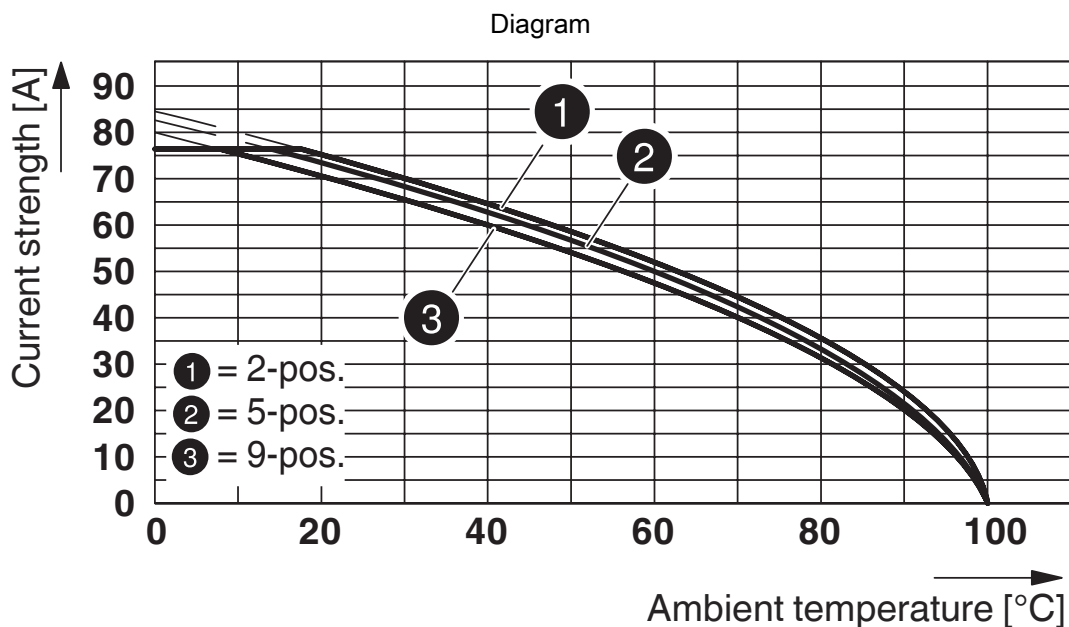
<https://www.phoenixcontact.com/us/products/1772126>

|  |        |
|--|--------|
| Rated surge voltage (III/2)                            | 8 kV   |
| minimum clearance value - non-homogenous field (III/2) | 8 mm   |
| minimum creepage distance (III/2)                      | 8 mm   |
| Rated insulation voltage (II/2)                        | 1000 V |
| Rated surge voltage (II/2)                             | 6 kV   |
| minimum clearance value - non-homogenous field (II/2)  | 5.5 mm |
| minimum creepage distance (II/2)                       | 5.5 mm |

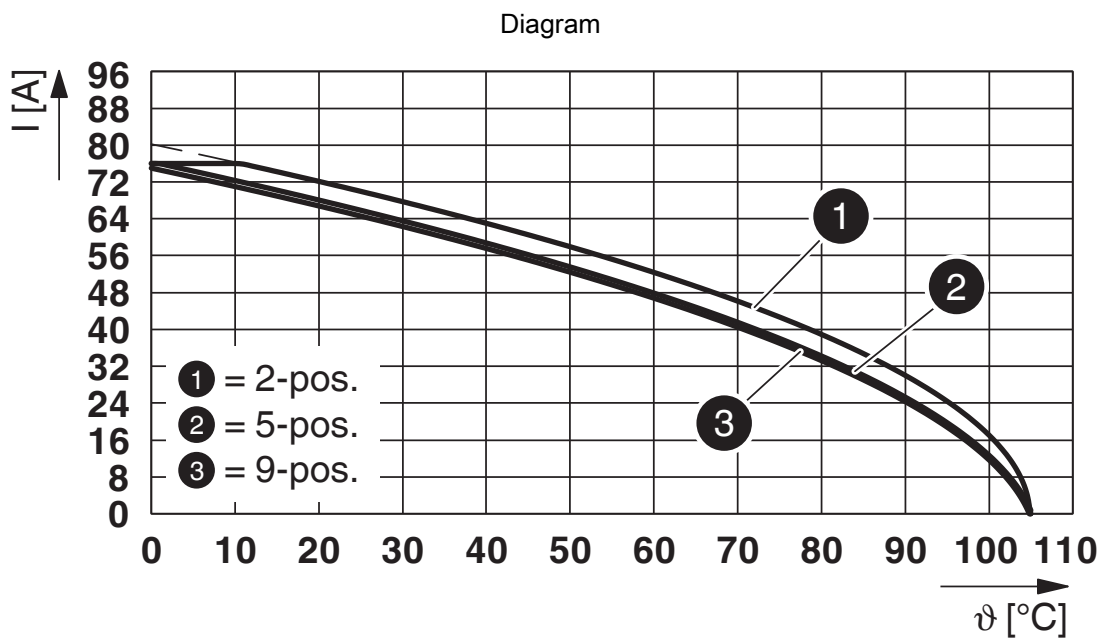
## Packaging specifications

|                   |                     |
|-------------------|---------------------|
| Type of packaging | packed in cardboard |
|-------------------|---------------------|

Drawings



Type: SPC 16/...-ST(F)-10,16 with DFK-PC 16/...-ST(F)-10,16

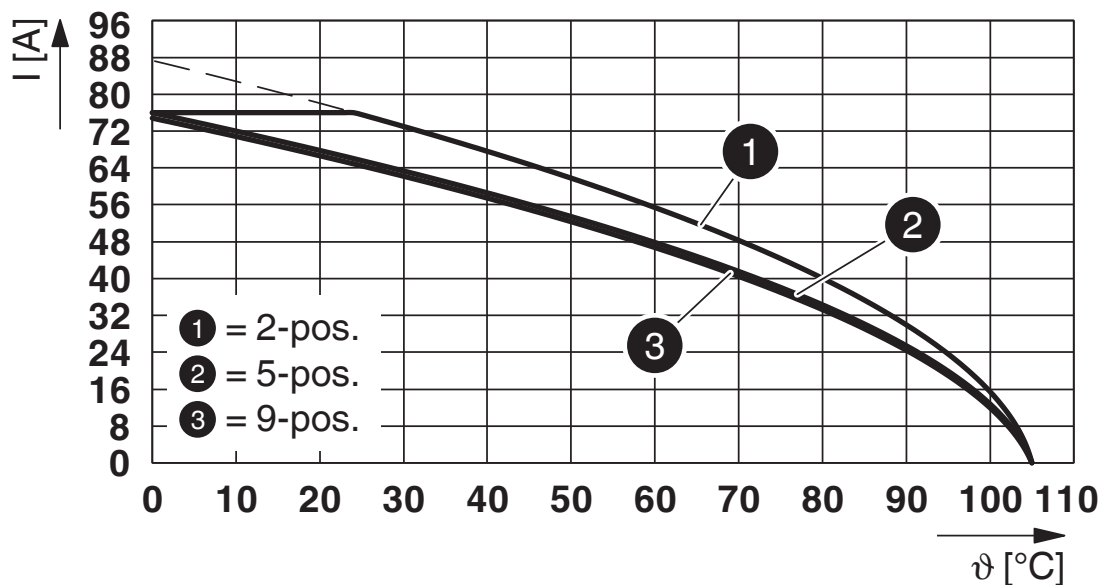


Type: SPC 16/...-ST-10,16 with PCV 6-16/...-G-10,16

1772126

<https://www.phoenixcontact.com/us/products/1772126>

Diagram



Type: SPC 16/...-ST-10,16 with PC 6-16/...-G1-10,16

Diagram



Type: SPC 16/...-ST-10,16 with IPC 16/...-ST-10,16

1772126

<https://www.phoenixcontact.com/us/products/1772126>

Diagram



Type: SPC 16/...-ST-10,16 with PCV 6-16/...-G1-10,16

Diagram



Type: SPC 16/...-ST-10,16 with ISPC 16/...-ST-10,16

1772126

<https://www.phoenixcontact.com/us/products/1772126>

Diagram



Type: SPC 16/...-ST-10,16 with PC 6-16/...-G-10,16

# SPC 16/ 4-ST-10,16 BD:U-PE - PCB connector



1772126

<https://www.phoenixcontact.com/us/products/1772126>

## Approvals

To download certificates, visit the product detail page: <https://www.phoenixcontact.com/us/products/1772126>

|  <b>cULus Recognized</b><br>Approval ID: E60425-20040202 |                       |                       |                   |                             |
|---|-----------------------|-----------------------|-------------------|-----------------------------|
|   | Nominal voltage $U_N$ | Nominal current $I_N$ | Cross section AWG | Cross section $\text{mm}^2$ |
| B   | 600 V                 | 66 A                  | 20 - 4            | -                           |
| C   | 600 V                 | 66 A                  | 20 - 4            | -                           |

|  <b>VDE approval of drawings</b><br>Approval ID: 40055586 |                       |                       |                   |                             |
|--|-----------------------|-----------------------|-------------------|-----------------------------|
|  | Nominal voltage $U_N$ | Nominal current $I_N$ | Cross section AWG | Cross section $\text{mm}^2$ |
| keine  | 1000 V                | 76 A                  | -                 | 0.75 - 16                   |

# SPC 16/ 4-ST-10,16 BD:U-PE - PCB connector



1772126

<https://www.phoenixcontact.com/us/products/1772126>

## Classifications

### ECLASS

|             |          |
|-------------|----------|
| ECLASS-13.0 | 27460202 |
| ECLASS-15.0 | 27460202 |

### ETIM

|           |          |
|-----------|----------|
| ETIM 10.0 | EC002638 |
|-----------|----------|

### UNSPSC

|             |          |
|-------------|----------|
| UNSPSC 21.0 | 39121400 |
|-------------|----------|

# SPC 16/ 4-ST-10,16 BD:U-PE - PCB connector



1772126

<https://www.phoenixcontact.com/us/products/1772126>

## Environmental product compliance

### EU RoHS

|   |                    |
|---|--------------------|
| Fulfills EU RoHS substance requirements | Yes, No exemptions |
|---|--------------------|

### China RoHS

|  |  |
|--|--|
| Environment friendly use period (EFUP) | EFUP-E                                   |
|  | No hazardous substances above the limits |

### EU REACH SVHC

|                                     |                            |
|-------------------------------------|----------------------------|
| REACH candidate substance (CAS No.) | No substance above 0.1 wt% |
|-------------------------------------|----------------------------|

Phoenix Contact 2026 © - all rights reserved  
<https://www.phoenixcontact.com>

Phoenix Contact USA  
586 Fulling Mill Road  
Middletown, PA 17057, United States  
(+717) 944-1300  
[info@phoenixcon.com](mailto:info@phoenixcon.com)